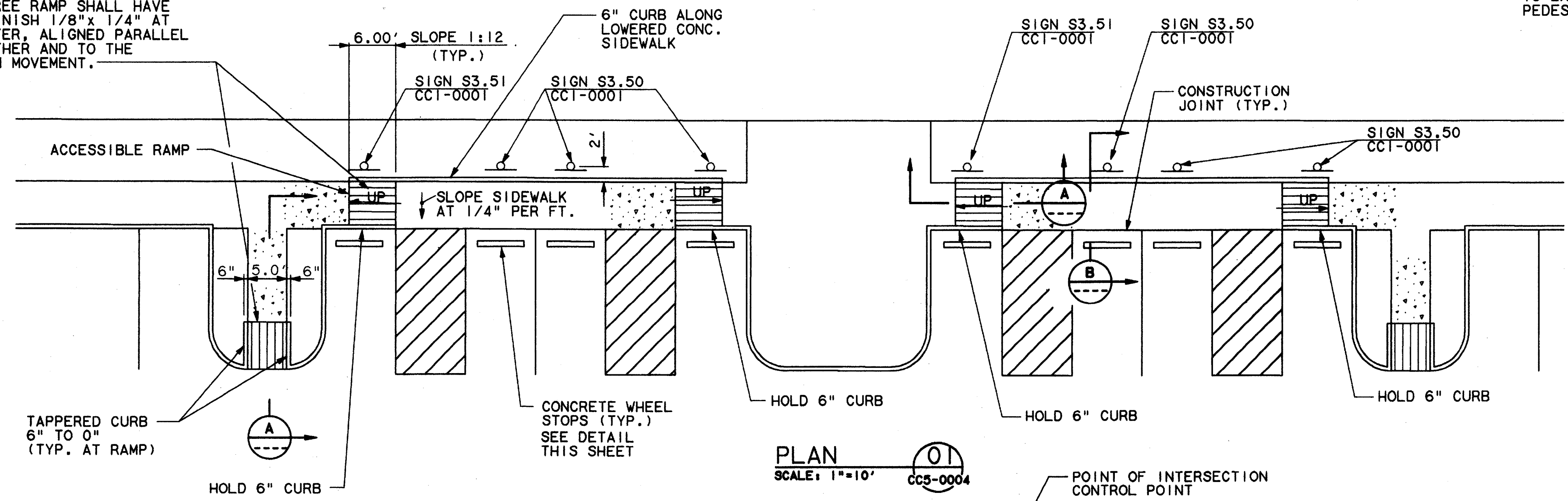


c:\cadd\94010.2\12\shf\abf\ccz02.0
 17 MAR 98
 DART.TBL
 David Kruciak

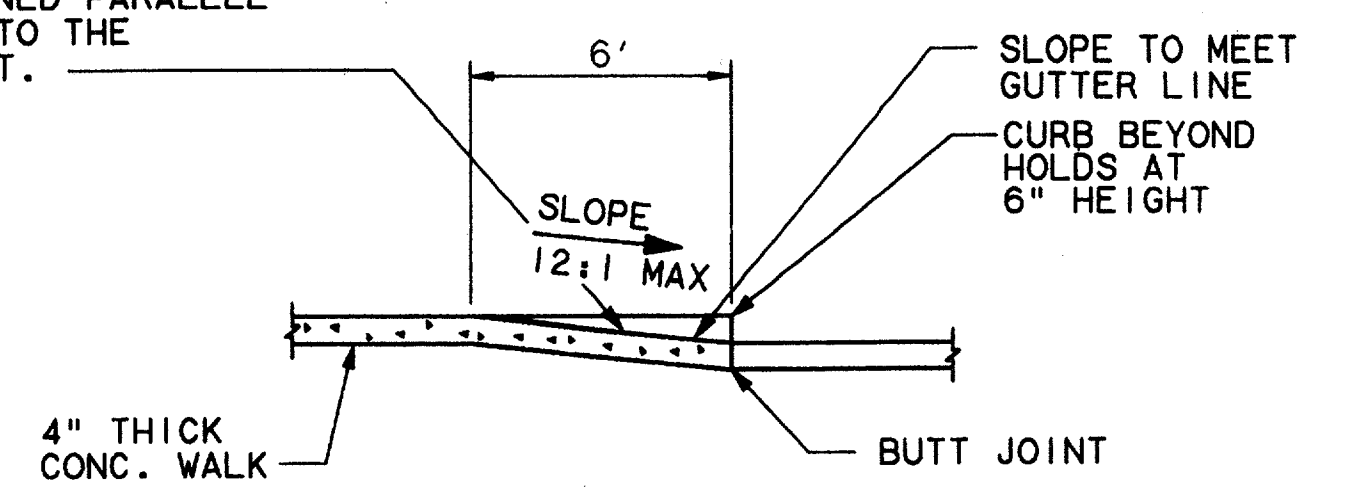
2000-900 ON GMD

BARRIER FREE RAMP SHALL HAVE GROOVED FINISH 1/8" x 1/4" AT 2" ON CENTER, ALIGNED PARALLEL TO EACH OTHER AND TO THE PEDESTRIAN MOVEMENT.

BARRIER FREE RAMP SHALL HAVE GROOVED FINISH 1/8" x 1/4" AT 2" ON CENTER, ALIGNED PARALLEL TO EACH OTHER AND TO THE PEDESTRIAN MOVEMENT.

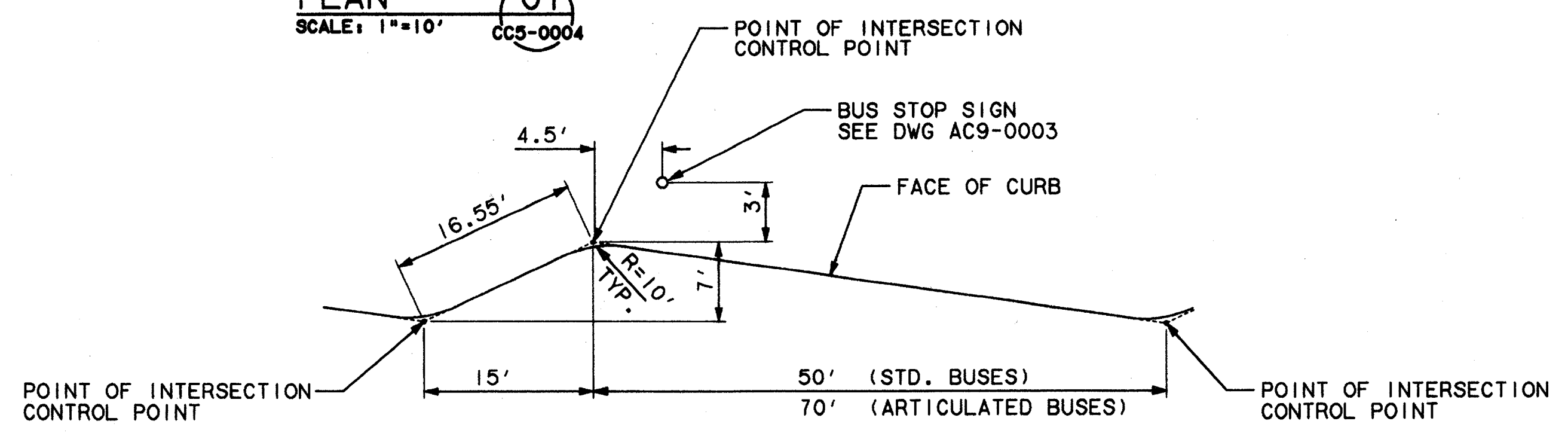
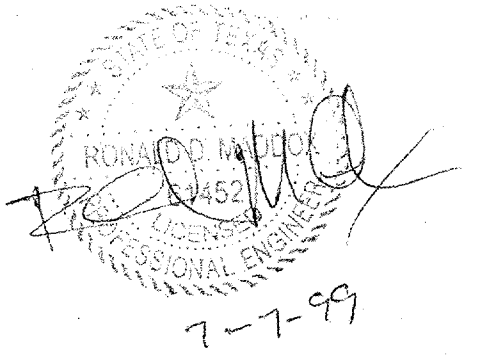


PLAN
 SCALE: 1"=10'
 CC5-0004

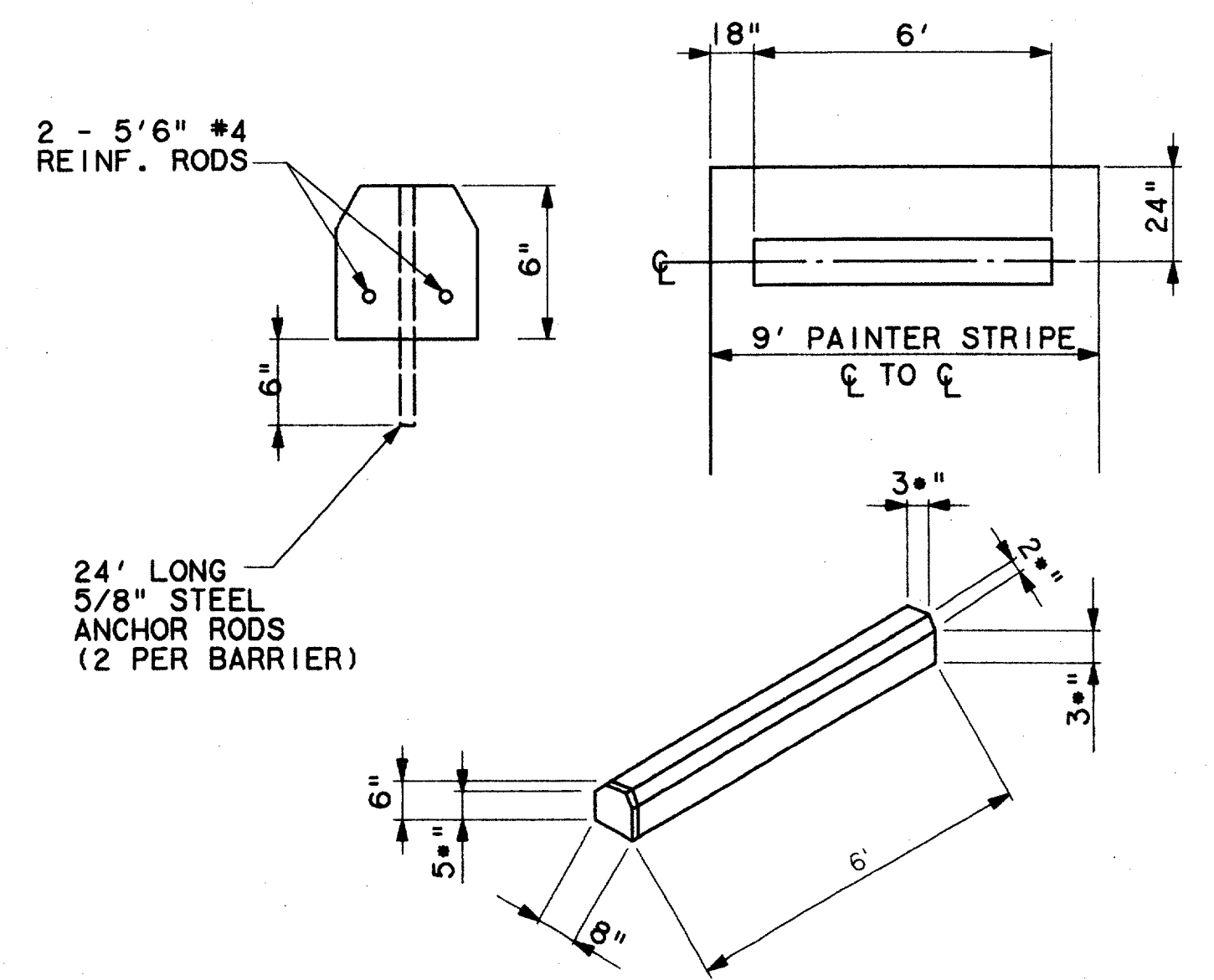


BARRIER FREE RAMP
 SECTION A
 SCALE: N.T.S.

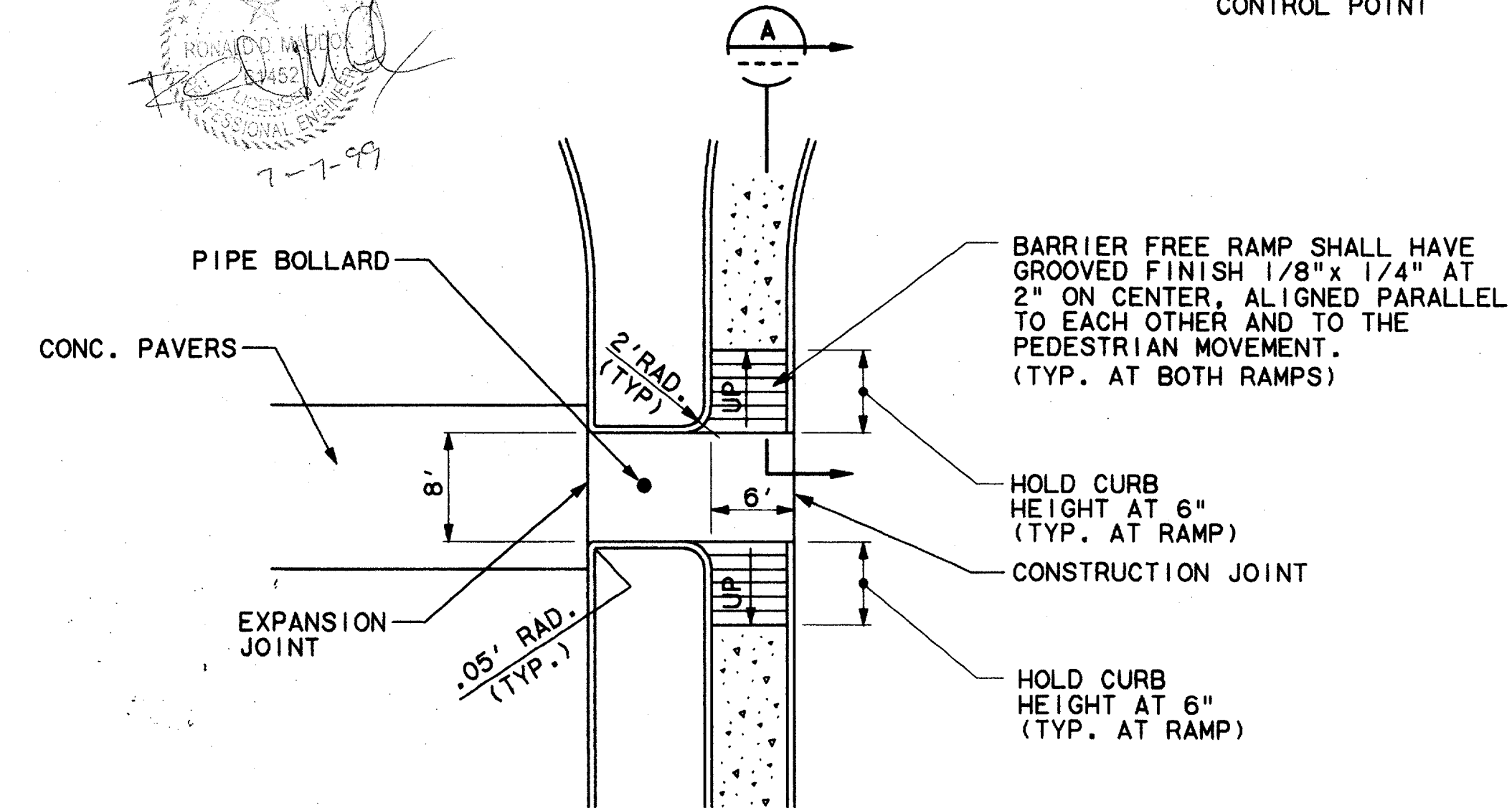
Having checked the submitted drawings, I certify that they conform to the requirements of the contract in all respects, except as otherwise indicated.
 Contract Number: 97000136
 Company Name: W.A. STEVENS & ASSOCIATES, INC.
 Officer or Firm Representative: TOM KACER, PRESIDENT
 Date: 7-1-99
 Seal of Professional Engineer



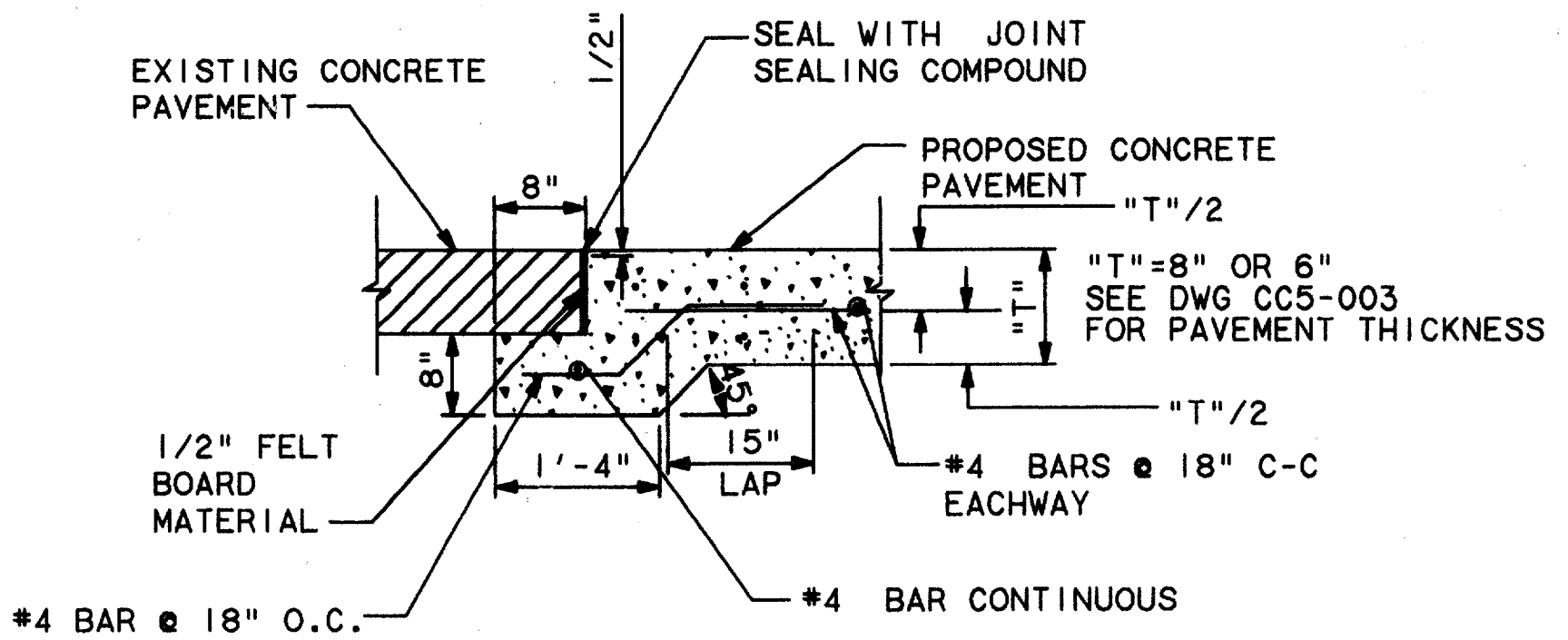
BUS BAY CURB LAYOUT
 SCALE: 1"=10'
 CC5-0004



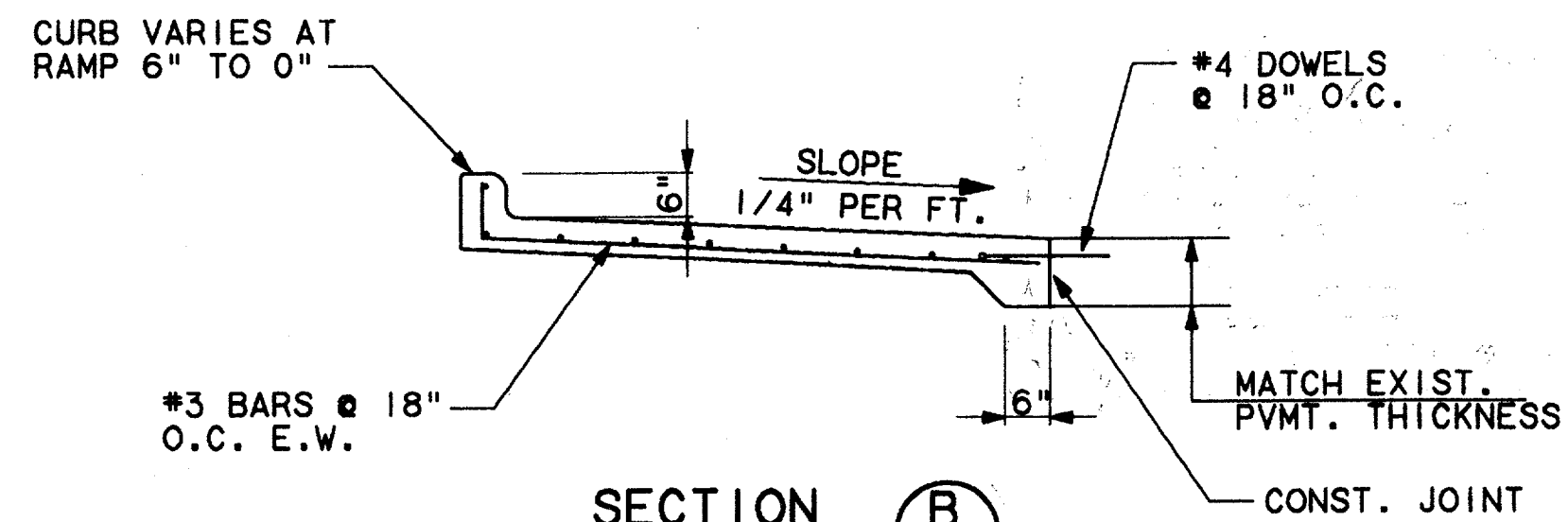
CONCRETE WHEEL STOP
 SCALE: N.T.S.



DETAIL
 SCALE: 1"=10'
 CC5-0004



SECTION
 SCALE: N.T.S.
 CC5-0004

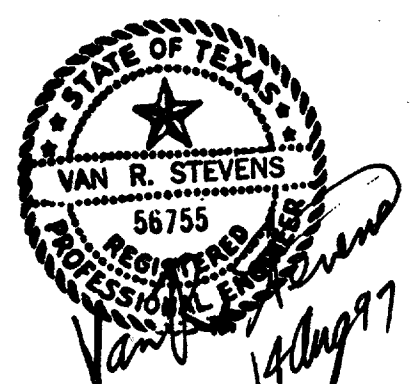


SECTION
 SCALE: N.T.S.

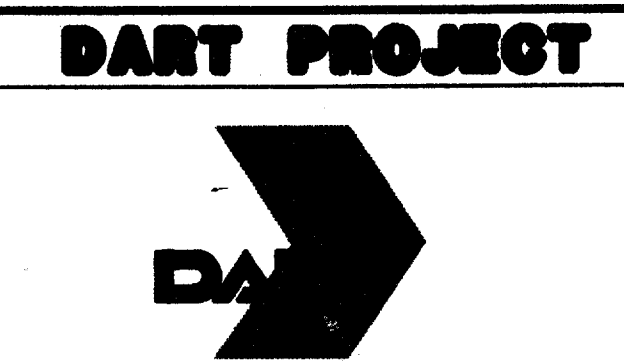
CONFORMED

CONTRACT SHEET No. 23 OF 95

REV	DATE	DESCRIPTION	BY	ENG	CHK	APP	REV	DATE	DESCRIPTION	BY	ENG	CHK	APP



WENDY LOPEZ & ASSOC.
 LOCKWOOD, ANDREWS & NEWMAN
 THE SWA GROUP
 GERARD & ASSOCIATES
 ZAXON



SCALE: N.T.S.
 DRAWN: D. KRUCIAK
 DESIGNED: P. ZHAO
 CHECKED: V. STEVENS
 IN CHARGE: V. STEVENS
 DATE: AUG. 14, 1997

ADDISON TRANSIT CENTER
 PAVING & WALK DETAILS

CONTRACT C-97000136
 DWG No. CC6-0002
 REV 0