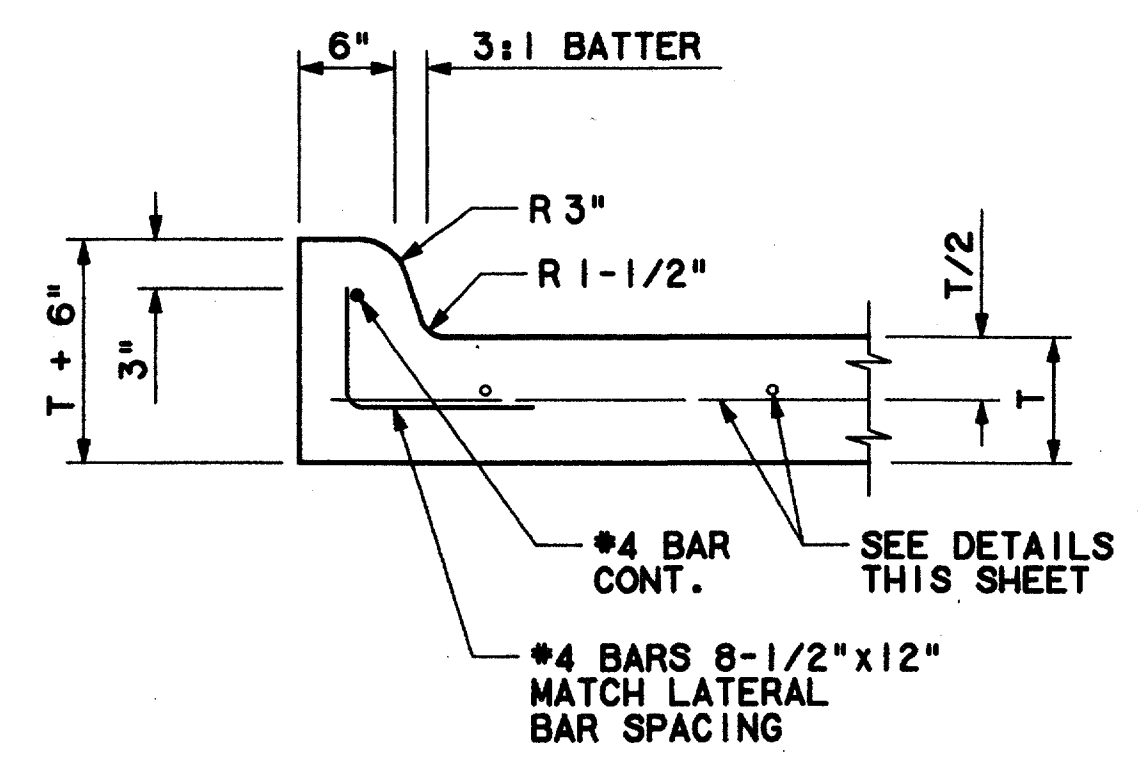
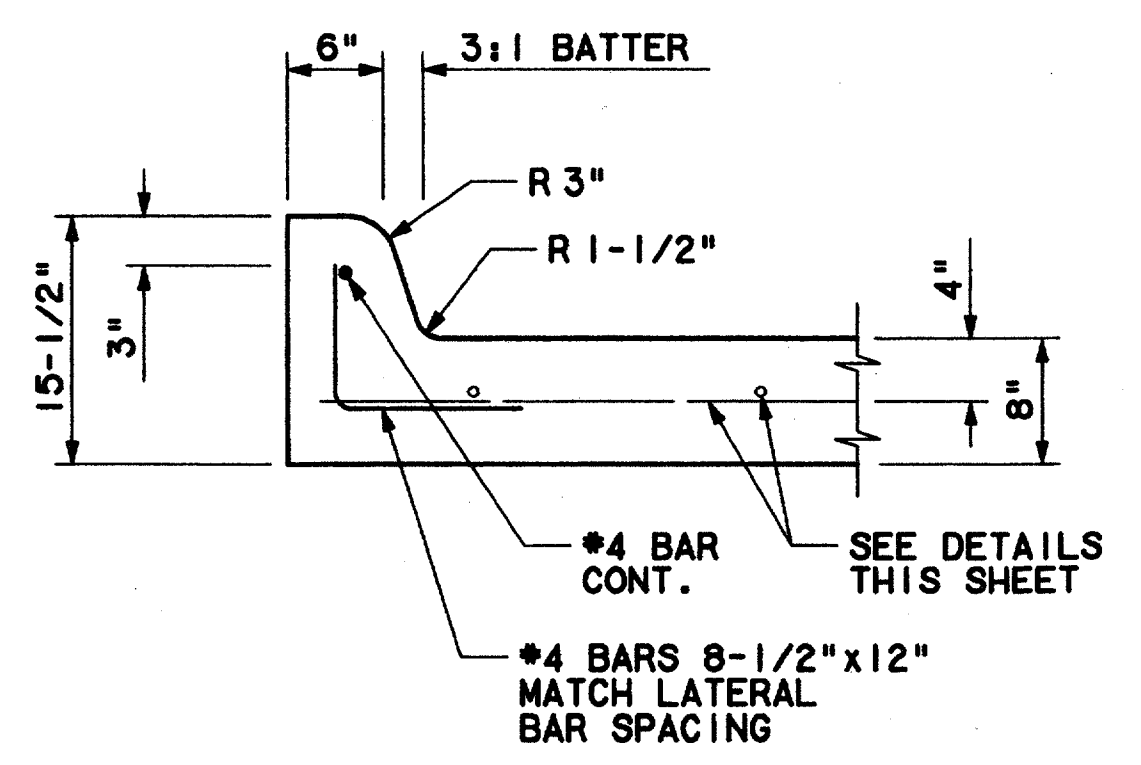


c:\cadd\94010.2\12\shf\abtc03.00  
 02 MAR 98  
 DART.TBL  
 \$(USER)

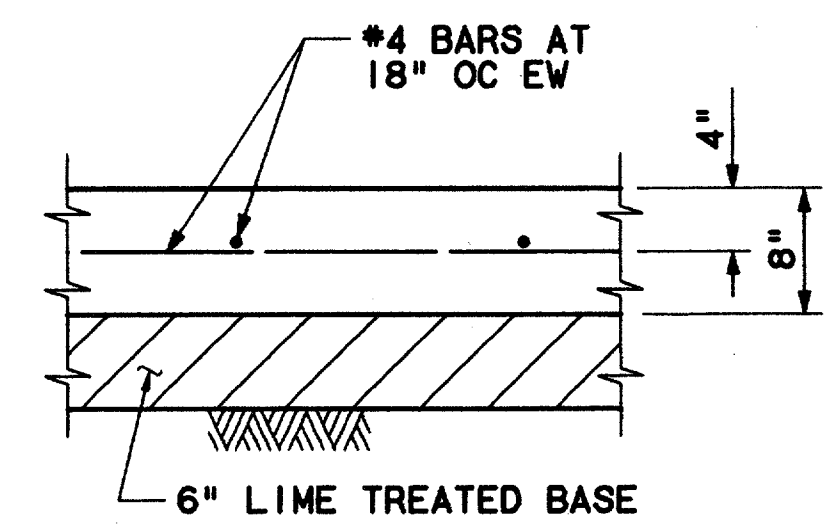
DWG No. CCG-0004



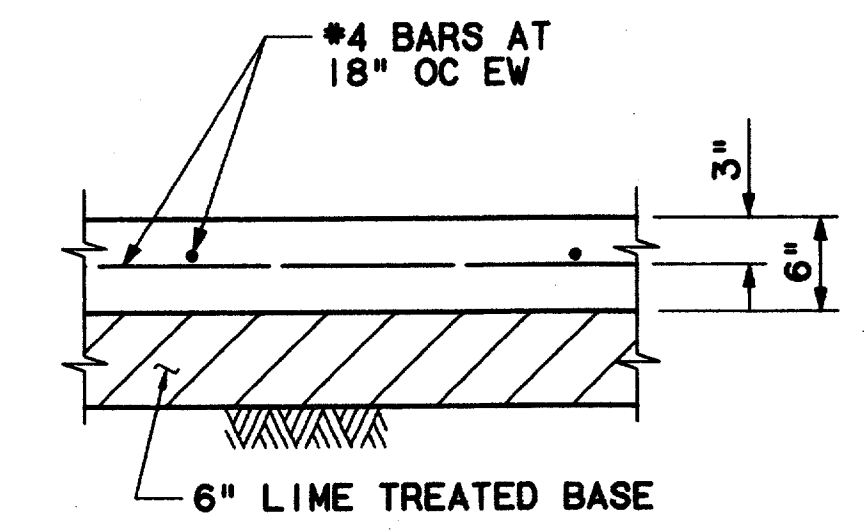
**6" CURB  
 DETAIL**  
 SCALE: 1"=1'-0" CC6-0003



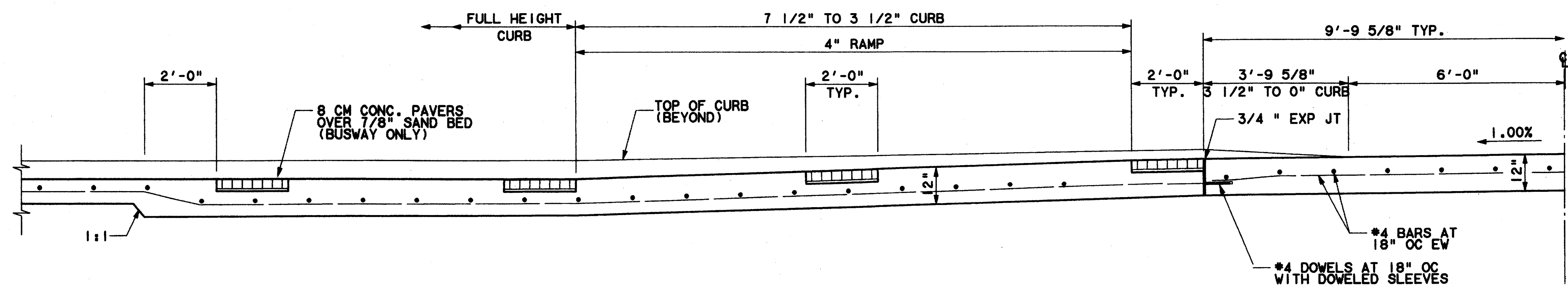
**7-1/2" CURB  
 DETAIL**  
 SCALE: 1"=1'-0" CC6-0003



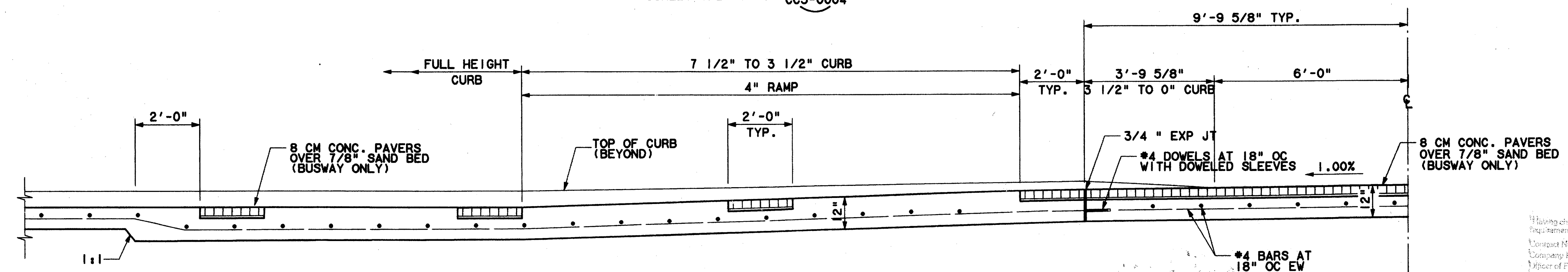
**BUSWAY  
 PAVEMENT  
 DETAIL**  
 SCALE: 1"=1'-0" CC6-0003



**NON-BUSWAY  
 PAVEMENT  
 DETAIL**  
 SCALE: 1"=1'-0" CC6-0003

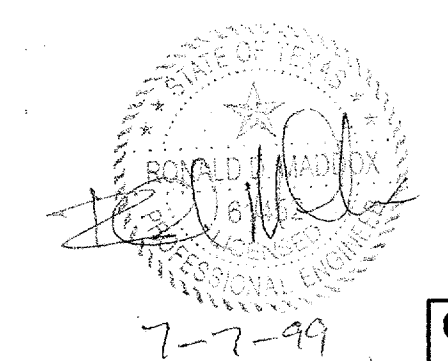


**SECTION E**  
 SCALE: 1/2"=1'-0" CC5-0004



**SECTION F**  
 SCALE: 1/2"=1'-0" CC5-0004

Record (As-built) Certification  
 Having checked this submission, we certify that it conforms to the  
 requirements of the contract in all respects, except as otherwise indicated.  
 Contract Number: 97000136  
 Company Name: WEA  
 Title of Firm Signature: [Signature]  
 Director of Firm Name (Typed): TOM KADER  
 Title of Officer (Typed): PRESIDENT  
 Seal of Professional Engineer of Construction Contractor, including signature  
 and date, thereby sealing record (as-built) drawings for accuracy of as-built  
 condition reflected herein, must be placed below.



**CONFORMED**  
 CONTRACT SHEET No. 25 OF 95

REV	DATE	DESCRIPTION	BY	ENG	CHK	APP	REV	DATE	DESCRIPTION	BY	ENG	CHK	APP
△							△						
△							△						
△							△						
△							△						
△							△						
△							△						

WENDY LOPEZ & ASSOC.  
 LOCKWOOD, ANDREWS & NEWMAN  
 THE SWA GROUP  
 GERARD & ASSOCIATES  
 ZAXON

**WLA**  
 WENDY LOPEZ & ASSOCIATES, INC.  
 ENGINEERING • SURVEYING • CONSTRUCTION SERVICES  
 202 MARKET CENTER BLVD. - SUITE 202  
 DALLAS, TEXAS 75201  
 (214) 748-7777

**DART PROJECT**

SCALE: AS NOTED  
 DRAWN: N. DEREMER  
 DESIGNED: D. XRUCIAK  
 CHECKED: V. STEVENS  
 IN CHARGE: V. STEVENS  
 DATE: 14 AUG. 1997

**ADDISON  
 TRANSIT CENTER  
 PAVEMENT SECTIONS**

CONTRACT C-97000136  
 DWG No. CCG-0004  
 REV 0