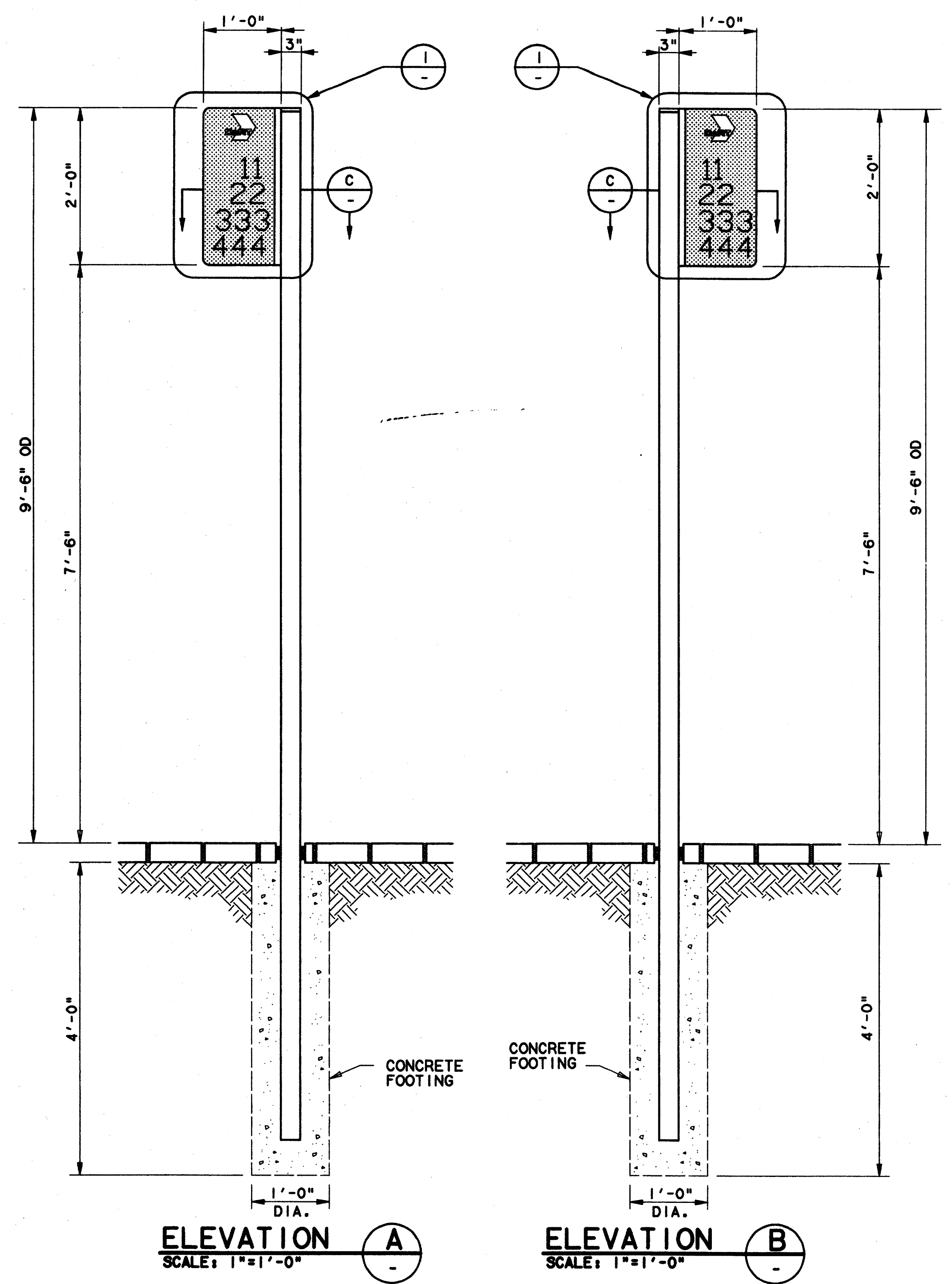


e:\94010.212\shf\abrtcs02.008
13 AUG 97
DART.TBL
JAMES LANDRY

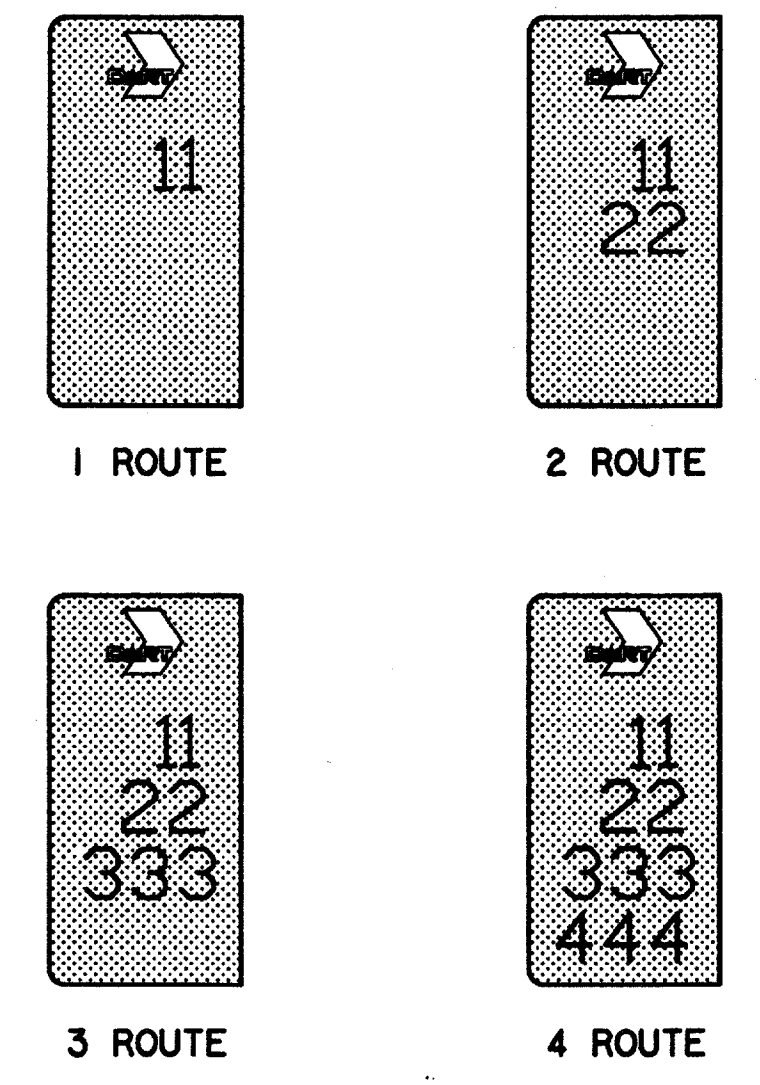
0000-6SV
ON GMD
DWG No.

- GENERAL NOTES**
- REFER TO DART SIGN STANDARDS MANUAL FOR CORRECT FONTS, SPACING, SYMBOLS AND REPRODUCTION ART.
 - ALL S7.1 SIGNS ARE DOUBLE FACE CONFIGURATION.
 - ROUTE NUMBERS VARY.
 - FOR LOCATION, REFER DETAIL 3/CC6-0002

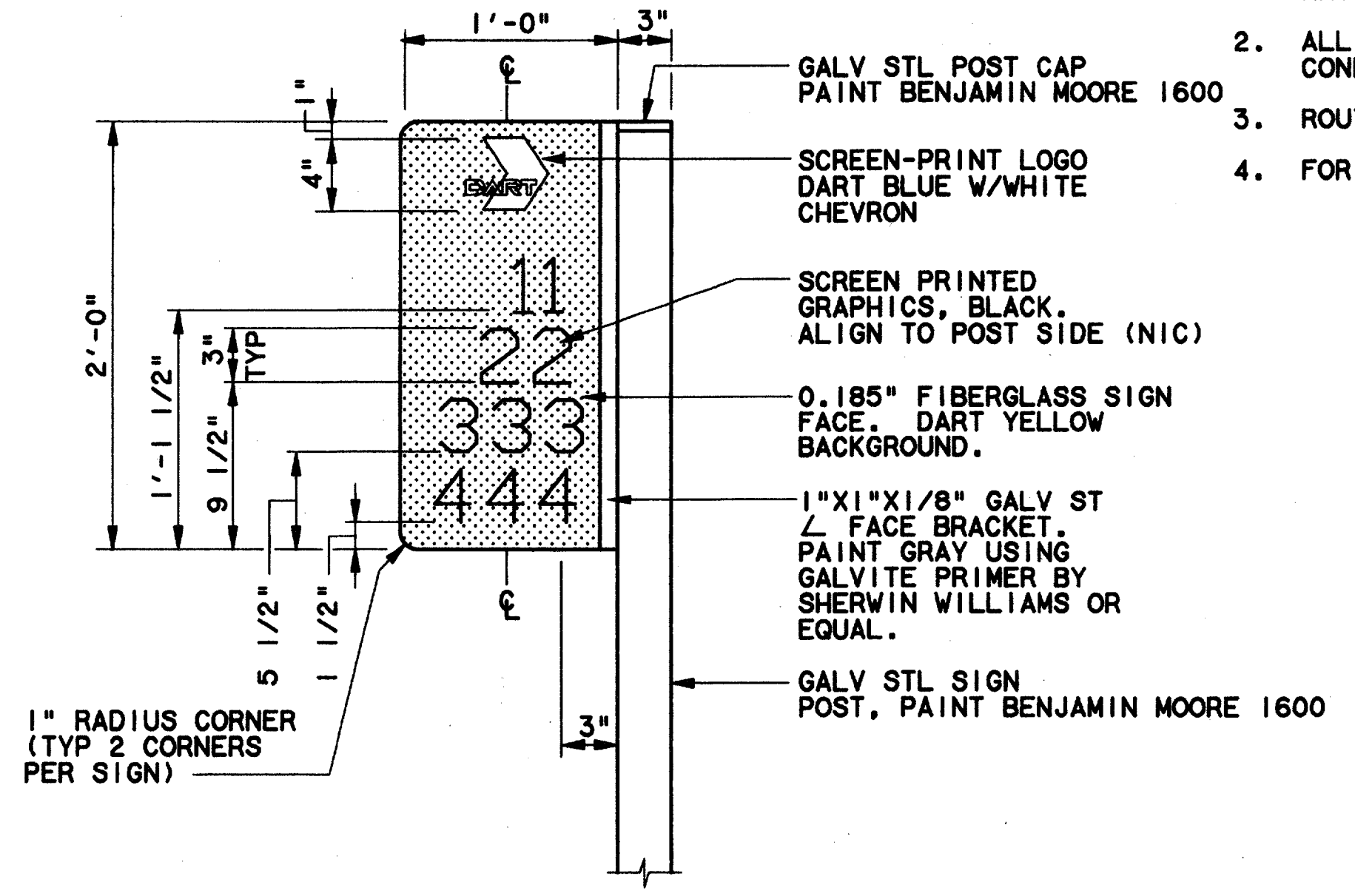


ELEVATION A
SCALE: 1"=1'-0"

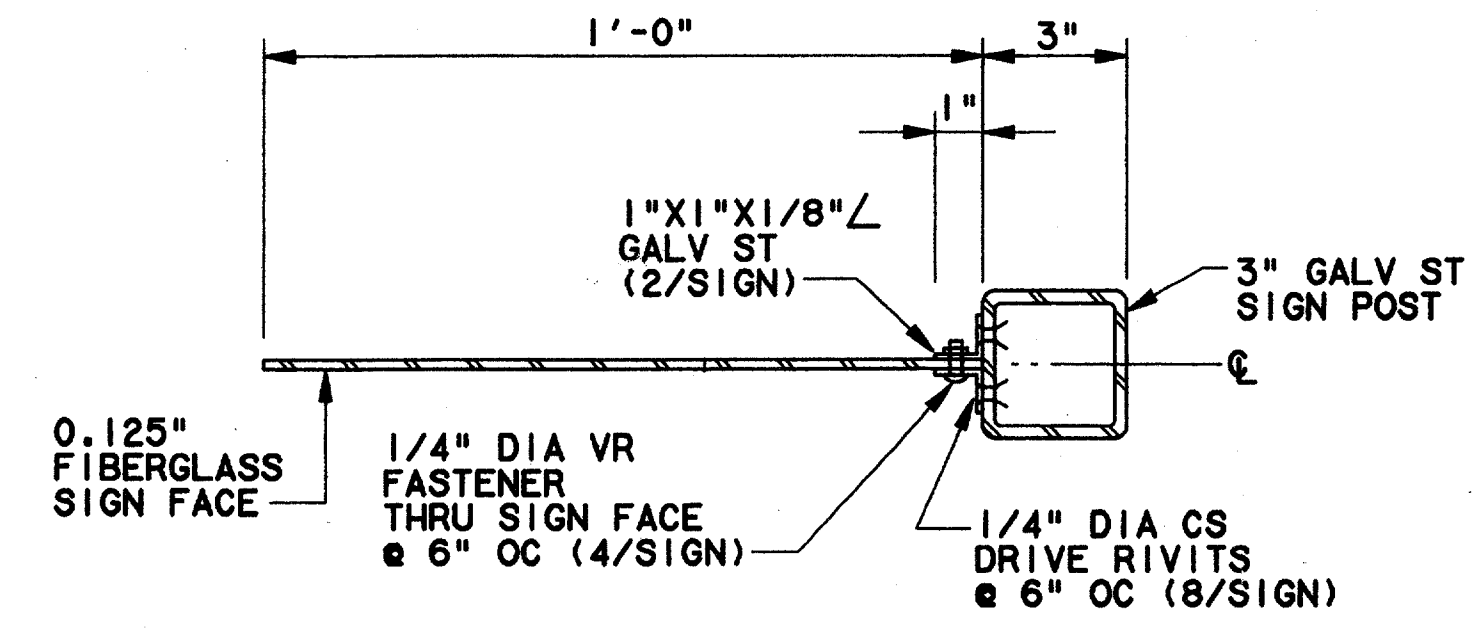
ELEVATION B
SCALE: 1"=1'-0"



ELEVATION-SIGN FACE LAYOUTS
SCALE: 1"=1'-0" AS9-0015

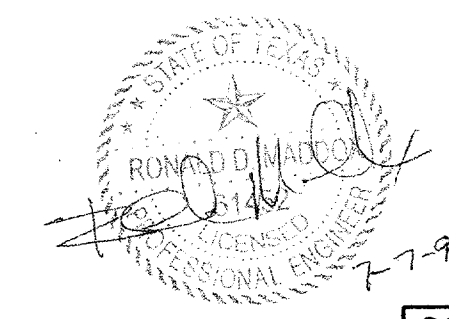


DETAIL I
SCALE: 1 1/2"=1'-0" AS9-0015



SECTION C
SCALE: 3"=1'-0"

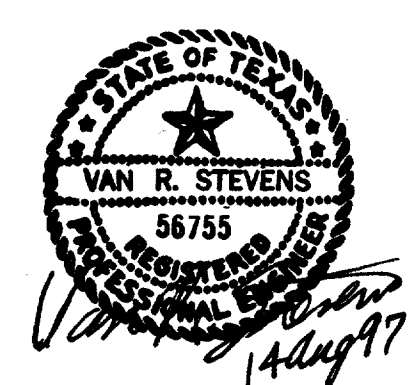
Record (As-built) Certificate
Having checked this submission, we certify that it complies with the requirements of the contract in all respects and we are not aware of any deficiencies.
Contract Number: 1000066
Company Name: [Signature]
Number of Firm Signatures: [Signature]
Title of Firm Signatures: [Signature]
Title of Engineer: [Signature]
Title of Designer: [Signature]
Date of Submission: 14 AUG. 1997



CONFORMED

CONTRACT SHEET No. 30 OF 95

REV	DATE	DESCRIPTION	BY	ENG	CHK	APP	REV	DATE	DESCRIPTION	BY	ENG	CHK	APP



WENDY LOPEZ & ASSOC.
LOCKWOOD, ANDREWS & NEWNAM
THE SWA GROUP
GERARD & ASSOCIATES
ZAXON

WLA
WENDY LOPEZ & ASSOCIATES, INC.
ENGINEERING • SURVEYING • CONSTRUCTION SERVICES
105 MARKET CENTER BLVD - SUITE 300
DALLAS, TEXAS 75201
(214) 746-7777

DART PROJECT

SCALE	AS NOTED
DRAWN	R. PIERCE
DESIGNED	A. ZREET
CHECKED	M. QUINBY
IN CHARGE	V. STEVENS
DATE	14 AUG. 1997

SIGNAGE STANDARDS

SIGN TYPE S7.1
FACILITY BUS STOP SIGN
ELEVATIONS, DETAILS, SECTIONS

CONTRACT C-97000136
DWG No. AC9-0003
REV 0