

e:\94010.212\shf\abctcf01.040
 13 AUG 97
 DART.TBL
 JAMES LANDRY

2000-002 UC3-0002

N 4890.1280
 E 4381.5510
 PI 6" WASTEWATER
 1-6" x 45° BEND
 6" FL 629.70

01 DETAIL UC3-0003

N 4918.3680
 E 4464.9680
 PI 1 1/2" DOMESTIC
 WATER SERVICE

N 4922.3950
 E 4466.8300
 PI 4" FIRE LINE

PROP.
 1-8"x22 1/2° BEND
 1-8"x11 1/4° BEND
 (N.I.C.)

PROP.
 1-8"x45° BEND
 (N.I.C.)

N. 4299.5380
 E. 4684.4070
 CONSTRUCT NEW
 MANHOLE
 8" FL 624.80
 6" FL 625.27
 RIM 630.80
 STUB-OUT & CAP 5 LF
 OF 8" WW OR CONNECT
 TO 8" WW

PROPOSED STORM
 DRAINS
 (N.I.C.)

6" WASTEWATER
 SERVICE LINE @ 2.00%

01 DETAIL UC1-0001

ARAPAHO ROAD (REALIGNED ROADWAY BY OTHERS)

ARAPAHO ROAD

PROP.
 1-8"x6" TEE
 1-6" VALVE
 1-FIRE HYDRANT
 (N.I.C.)

PROP.
 1-8"x22 1/2° BEND
 (N.I.C.)

PROPOSED STORM
 DRAINS (N.I.C.)

PROP.
 1-8"x6" TEE
 1-6" VALVE
 1-FIRE HYDRANT
 (N.I.C.)

STA. 47+15.29
 PROP.
 1-8"x6" TEE
 1-6" PLUG
 (N.I.C.)

PROP.
 1-8"x6" TEE
 1-8" VALVE
 1-6" VALVE
 1-FIRE HYDRANT
 (N.I.C.)

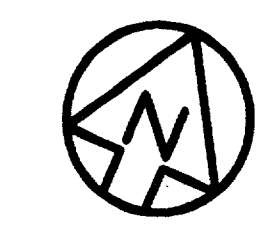
PROP.
 1-24"x8" TAPPING SLEEVE
 & 8" VALVE
 CONNECT TO EXISTING
 24" WATER LINE
 (N.I.C.)

PROP.
 1-8"x8" TAPPING SLEEVE
 & 8" VALVE
 CONNECT TO EXISTING
 8" WATER LINE
 (N.I.C.)

PROP.
 CONNECT TO EXISTING
 WASTEWATER MANHOLE
 W/ NEW 8" WW
 FL 623.00 (PROP.)
 (N.I.C.)

PROP. 8" WATER LINE (N.I.C.)

PROP. 8" WASTEWATER LINE (N.I.C.)

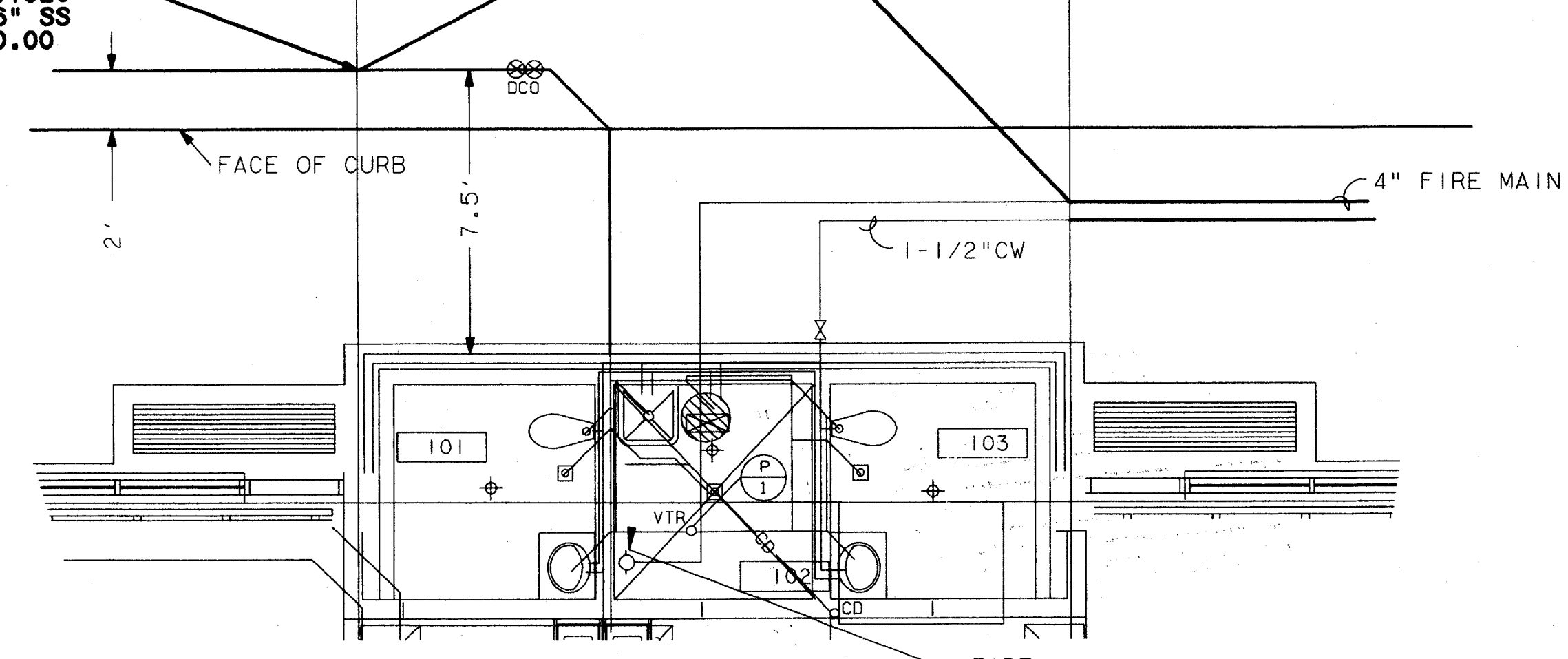


SCALE (IN FEET)
 0 20 40 80

N 4896.0790
 E 4395.1920
 BEGIN 6" SS
 F/L=630.00

CIVIL CONTRACTOR PLUMBING CONTRACTOR CIVIL CONTRACTOR PLUMBING CONTRACTOR

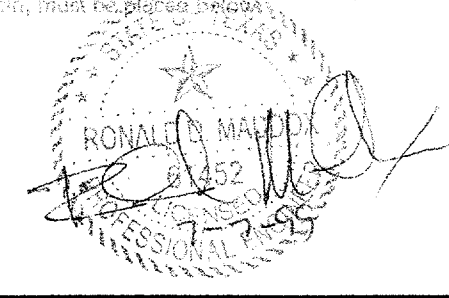
01 DETAIL PC2-0001



BENCHMARKS
 TBM-1
 60d NAIL IN UTILITY POLE
 AT THE SOUTHEAST CORNER
 OF JULIAN AND BROADWAY
 ELEV.=632.50

TBM-2
 "□" CUT ON SOUTHEAST CORNER
 OF CONCRETE WALK AT FRONT
 ENTRANCE TO 4805 ARAPAHO ROAD.
 ELEV.=630.61

Record (As-built) Certification
 "Having checked this as-built, we certify that it conforms to the
 requirements of the contract or all those except as otherwise indicated."
 Contract Number: 17000136
 Company Name: SEDALLO
 Name of Firm: JIM KADER
 Title of Officer: PRESIDENT



DETAIL 01
 SCALE: 1/4"=1'-0" UC3-0003

CONFORMED

CONTRACT SHEET No. 34 OF 95

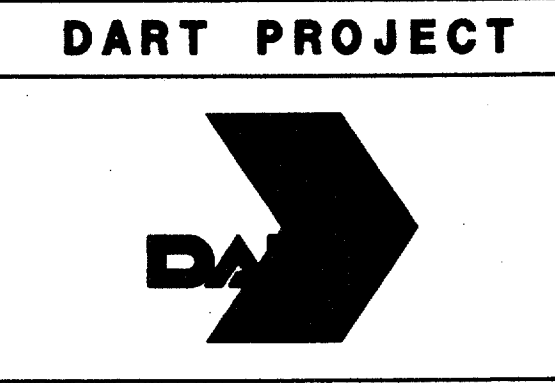
ADDISON
 TRANSIT CENTER
 WATER/WASTEWATER
 PLAN

REV	DATE	DESCRIPTION	BY	ENG	CHK	APP	REV	DATE	DESCRIPTION	BY	ENG	CHK	APP



WENDY LOPEZ & ASSOC.
 LOCKWOOD, ANDREWS & NEWNAM
 THE SWA GROUP
 GERARD & ASSOCIATES
 ZAXON

WLA
 WENDY LOPEZ & ASSOCIATES, INC.
 ENGINEERS • SURVEYORS • CONSTRUCTION SERVICES
 205 MARKET CENTER BLVD - SUITE 200
 DALLAS, TEXAS 75201
 (214) 761-7771



SCALE 1"=40'
 DRAWN D. KRUCIAK
 DESIGNED P. ZHAO
 CHECKED V. STEVENS
 IN CHARGE V. STEVENS
 DATE 14 AUG. 1997

CONTRACT C-97000136 DWG No. UC3-0002 REV 0