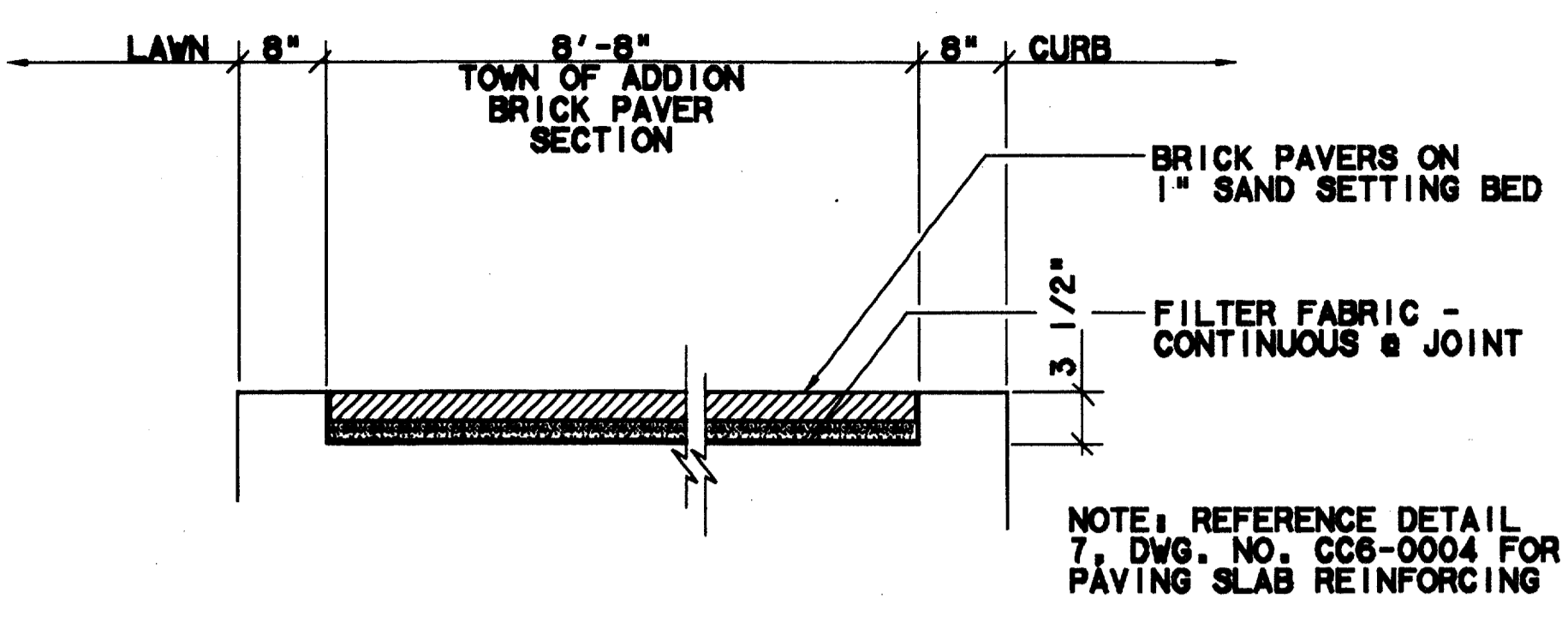
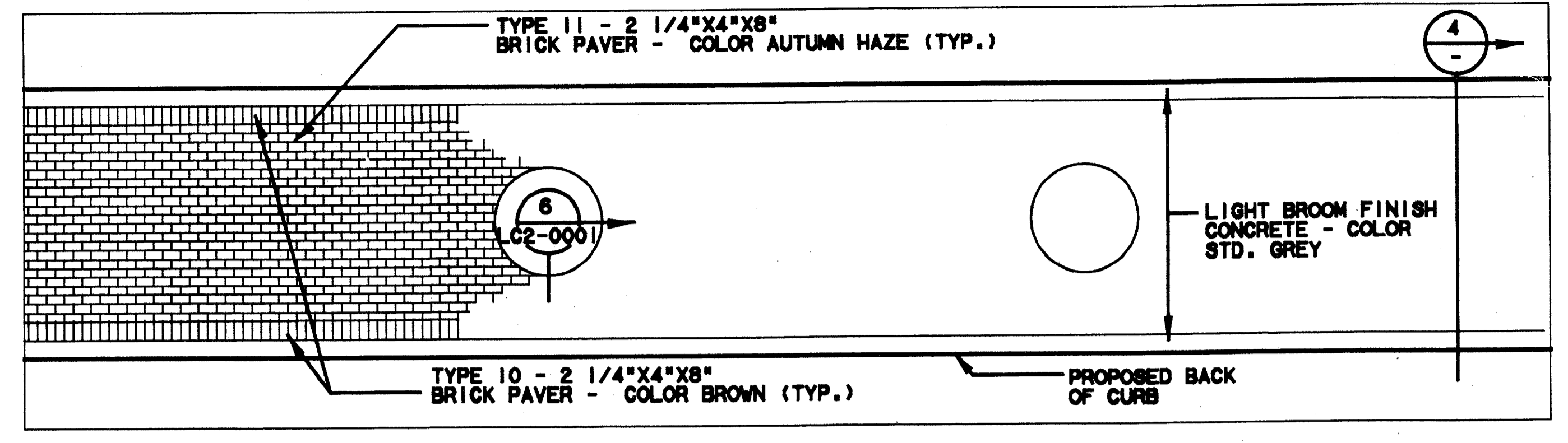


\$\$\$SYTIME\$\$\$\$
 \$\$\$PRF\$\$\$
 \$\$\$USERNAME\$\$\$
 \$\$\$ROT\$\$\$
 \$\$\$PEN\$\$\$
 \$\$\$LE7\$\$\$
 \$\$\$LE8\$\$\$
 \$\$\$LE9\$\$\$
 \$\$\$LE10\$\$\$
 \$\$\$LE11\$\$\$
 \$\$\$LE12\$\$\$
 \$\$\$LE13\$\$\$
 \$\$\$LE14\$\$\$
 \$\$\$LE15\$\$\$

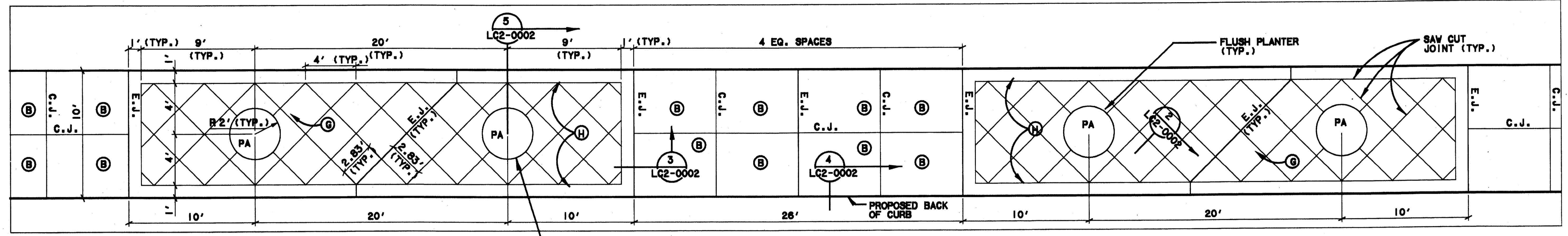
0100-G33 ON BAG



BRICK PAVER INSET & WALK - SECTION 4
SCALE: 1"=1'-0"



BRICK PAVER ALTERNATE- PLAN 3
SCALE: 1/4"=1'-0"



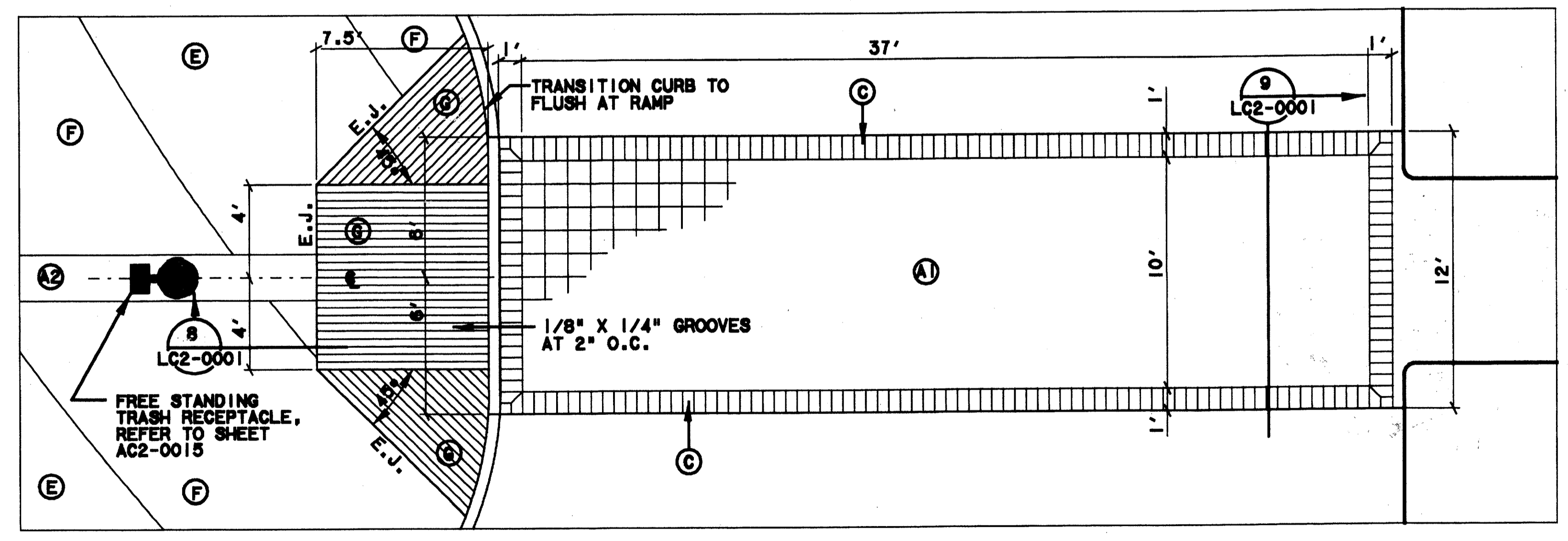
NORTH WALK ENLARGEMENT PLAN 1
SCALE: 1/4"=1'-0"

- PAVEMENT TYPES:**
- A TYPES - 12"x12" PAVER, COLOR - 'TERRA COTTA'
 - (A) - TYPE 1 - 8 CM AT ALL ROADWAY PATTERNS
 - (A2) - TYPE 2 - 6 CM AT ALL OTHER PATTERNS
 - B - MEDIUM BROOM FINISH CONCRETE, COLOR STD. GREY
 - C - TYPE 3 - 6"x12"x6 CM PAVER, COLOR 'LIMESTONE' (ACID WASHED)
 - D TYPES - 12"x12" PAVER, COLOR 'LIMESTONE' (ACID WASHED)
 - (D1) - TYPE 4 - 8 CM AT ALL ROADWAY PATTERNS
 - (D2) - TYPE 5 - 6 CM AT ALL OTHER PATTERNS
 - E - TYPE 6 - 4"x8"x6 CM PAVER, COLOR 'APRICOT' (QUARTEX FINISH, ACID WASHED)
 - F - TYPE 7 - 4"x8"x6 CM PAVER, COLOR 'SAND' (QUARTEX FINISH, ACID WASHED)
 - G - MEDIUM SANDBLAST FINISH CONC. - COLOR STD. GREY
 - H - LIGHT BROOM FINISH CONC. - COLOR STD. GREY
 - I - TYPE 8 - 12"x12"x6 CM PAVER, COLOR 'OBSIDIAN' (QUARTEX FINISH, ACID WASHED)
 - J - TYPE 9 - 4"x8"x6 CM PAVER, COLOR 'LIMESTONE' (ACID WASHED)

Record - Authority Certification
 I have checked this submission, as a certified professional, and certify that it conforms to the requirements of the contract and applicable codes, as indicated on the drawings.
 Contract Number: 97000136
 Company Name: SWA
 Office of Firm Signature: [Signature]
 Date: [Date]
 Title of Officer (Typed): [Title]
 Seal of Professional Engineer of Construction Contracting Services and date, hereby holding myself (as a contractor) responsible for accuracy of as-built conditions reflected herein, must be placed below.

NOTE: TRASH RECEPTACLE TO BE LOCATED ADJACENT TO EACH PLATFORM LIGHT POLE. SPECIFIC LOCATION TO BE DETERMINED BY CONTRACTING OFFICER.

NOTE: PA = PLANTING AREA



CROSS WALK ENLARGEMENT PLAN 2
SCALE: 1/4"=1'-0"

CONFORMED

CONTRACT SHEET No. 43 OF 95

REV	DATE	DESCRIPTION	BY	ENG	CHK	APP	REV	DATE	DESCRIPTION	BY	ENG	CHK	APP



SWA Group
2211 North Lamar
Dallas, Texas 75202
214-954-0016
Landscape Architecture
Site Planning
Urban Design

WLA
WENDY LOPEZ & ASSOCIATES, INC.
ENGINEERING • SURVEYING • CONSTRUCTION SERVICES
1025 MARKET CENTER BLVD - SUITE 510
DALLAS, TEXAS 75207
(214) 748-7777

DART PROJECT
DA

SCALE	AS NOTED
DRAWN	N. AVETON
DESIGNED	G. MILLER
CHECKED	G. MILLER
IN CHARGE	V. STEVENS
DATE	14 AUGUST 97

ADDISON TRANSIT CENTER
HARDSCAPE ENLARGEMENT

CONTRACT C-97000136 DWG No. CC5-0010 REV 0