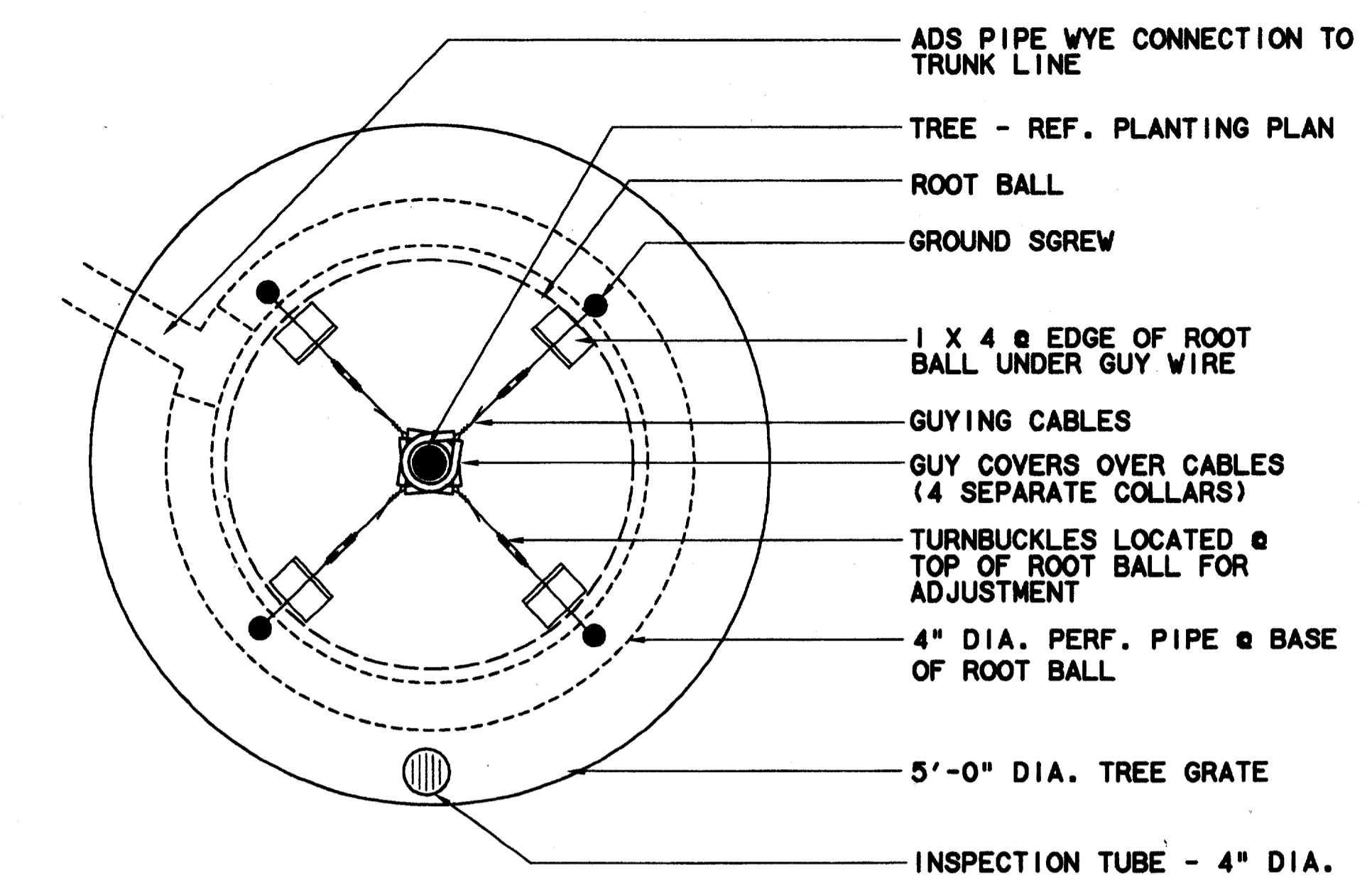
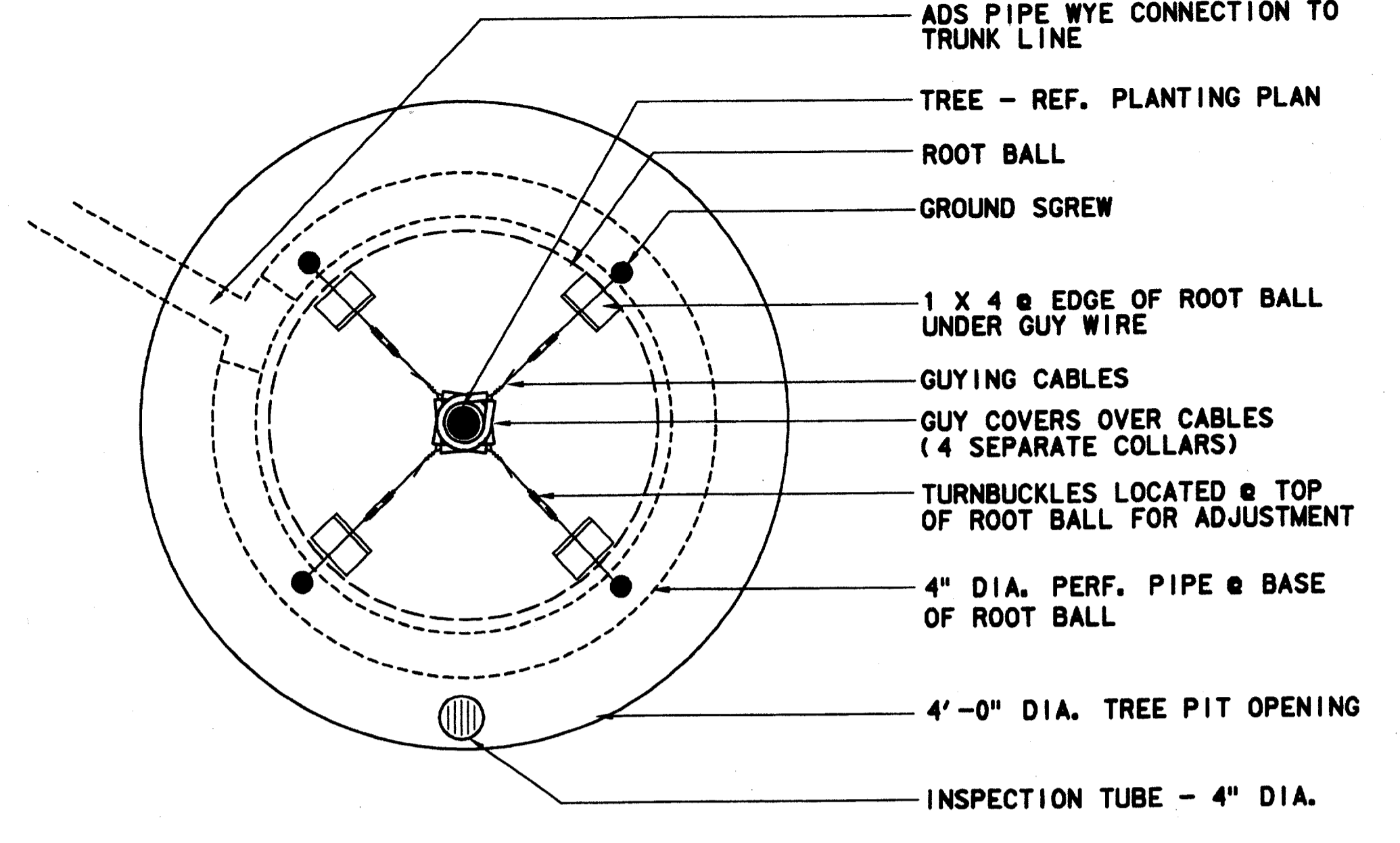


\$\$\$SYTIME\$\$\$\$
 \$\$\$PRF\$\$\$\$
 \$\$\$PEN\$\$\$\$
 \$\$\$ROT\$\$\$\$
 \$\$\$USERNAME\$\$\$\$
 \$\$\$FILE1\$\$\$\$
 \$\$\$FILE2\$\$\$\$
 \$\$\$FILE3\$\$\$\$
 \$\$\$FILE4\$\$\$\$
 \$\$\$FILE5\$\$\$\$

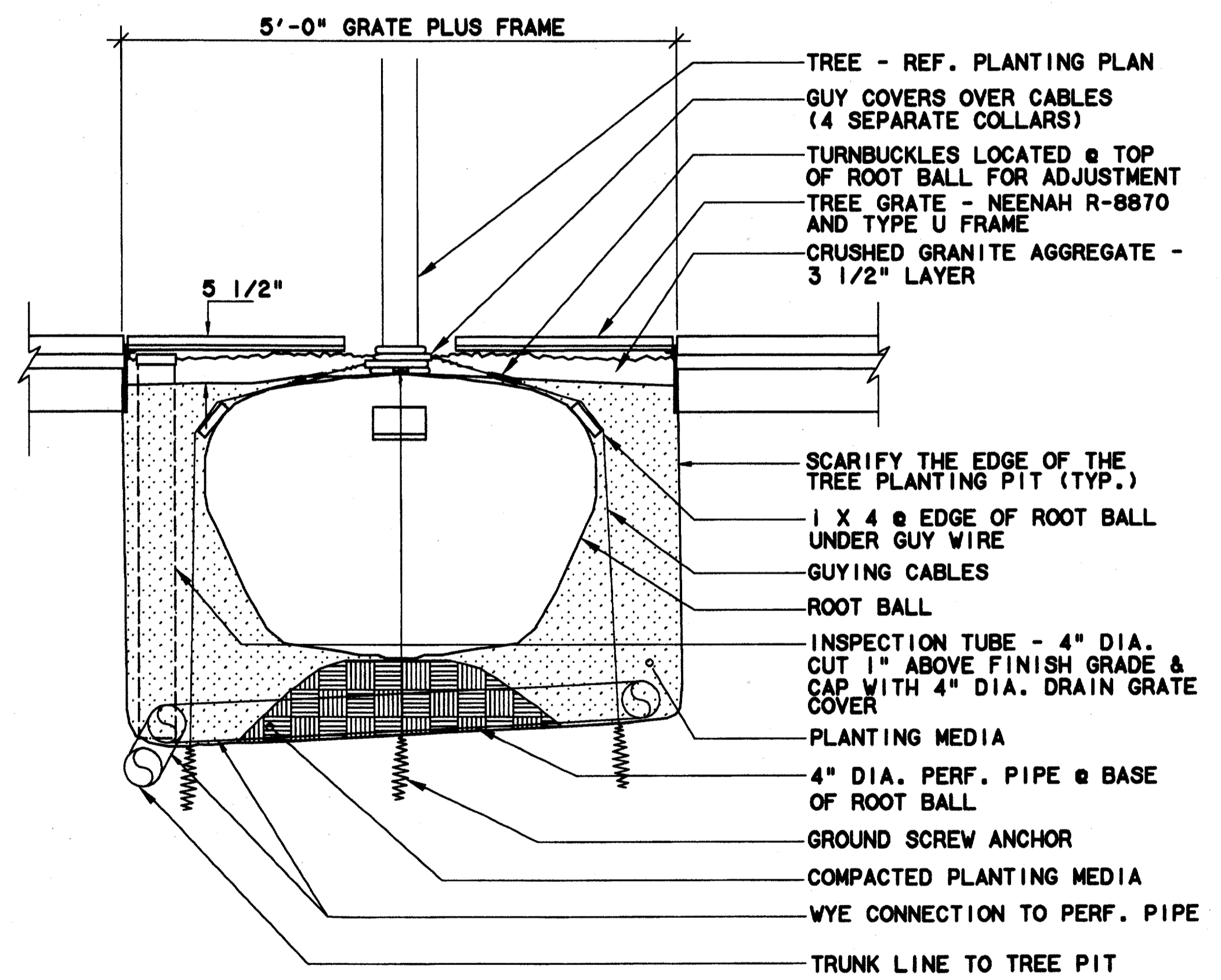
DWG No. LC2-0004



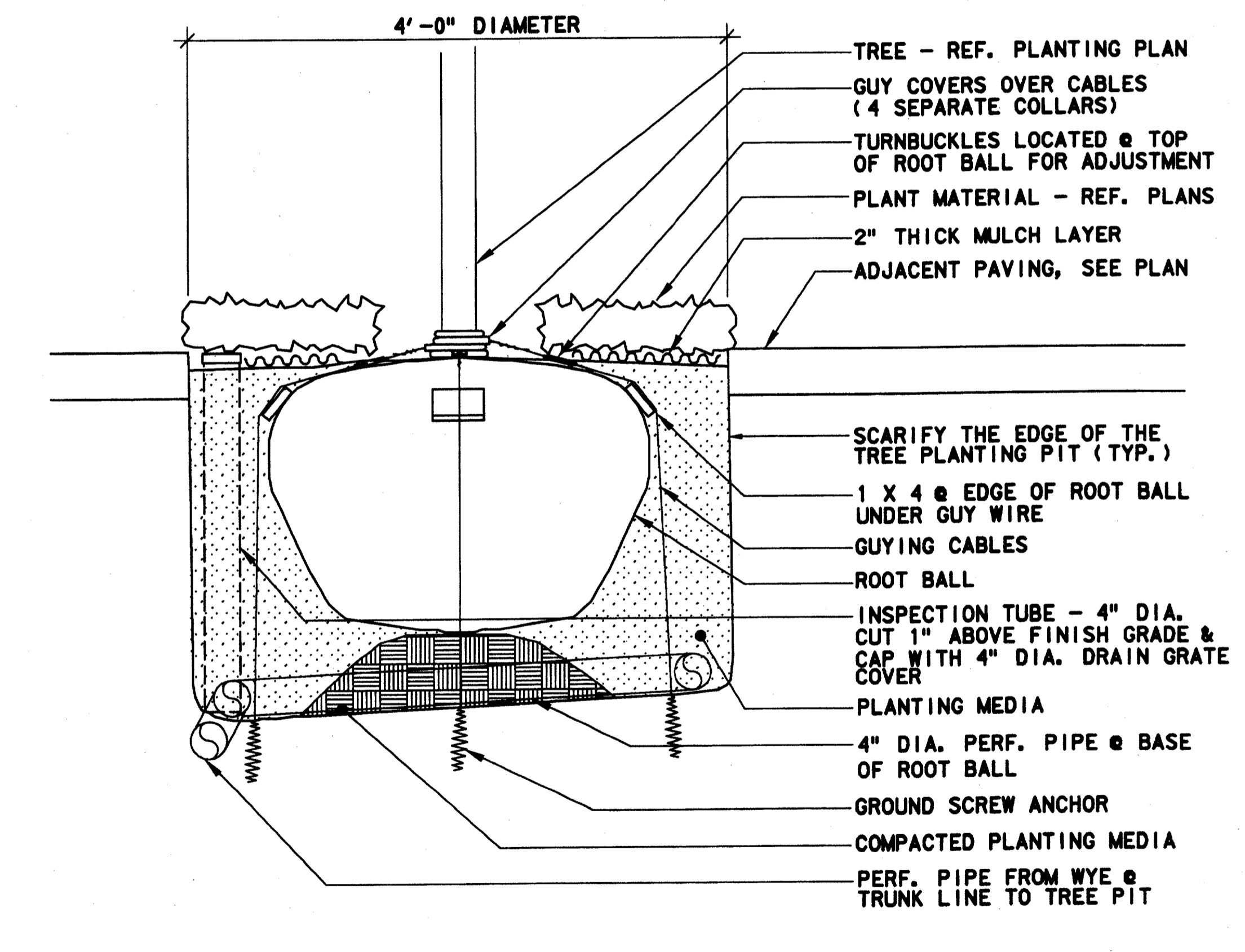
TREE PLANTER @ TREE GRATE - PLAN
N.T.S. (3)



TREE PLANTER PIT - PLAN
N.T.S. (1)



TREE GUYING @ TREE GRATE - SECTION
N.T.S. (4)



TREE GUYING @ OPENING - SECTION
N.T.S. (2)

Record (As-built) Certification
 "Having enclosed this submittal, we certify that it conforms to the requirements of the contract, in all respects, except as otherwise indicated."
 Contract Number: 1700036
 Company Name: FIDALCO
 Officer of Firm Signature: Tom Kader
 Title of Officer (typed): PRESIDENT
 Date: 7-7-99
 Seal of Professional Engineer of Construction, State of Texas, License No. 10199

CONFORMED

CONTRACT SHEET No. 50 OF 95

REV	DATE	DESCRIPTION	BY	ENG	CHK	APP	REV	DATE	DESCRIPTION	BY	ENG	CHK	APP

8/1/99

2211 North Lamar
Dallas, Texas 75202
214-864-0016

WENDY LOPEZ & ASSOCIATES, INC.
ENGINEERING • SURVEYING • CONSTRUCTION SERVICES
1825 MARKET CENTER BLVD - SUITE 510
DALLAS, TEXAS 75207
(214) 748-7777

SCALE	AS NOTED
DRAWN	N. AVETON
DESIGNED	C. MILLER
CHECKED	C. MILLER
IN CHARGE	V. STEVENS
DATE	14 AUGUST 97

**ADDISON
TRANSIT CENTER
PLANTING DETAILS**

CONTRACT C-97000136 DWG No. LC2-0004 REV 0