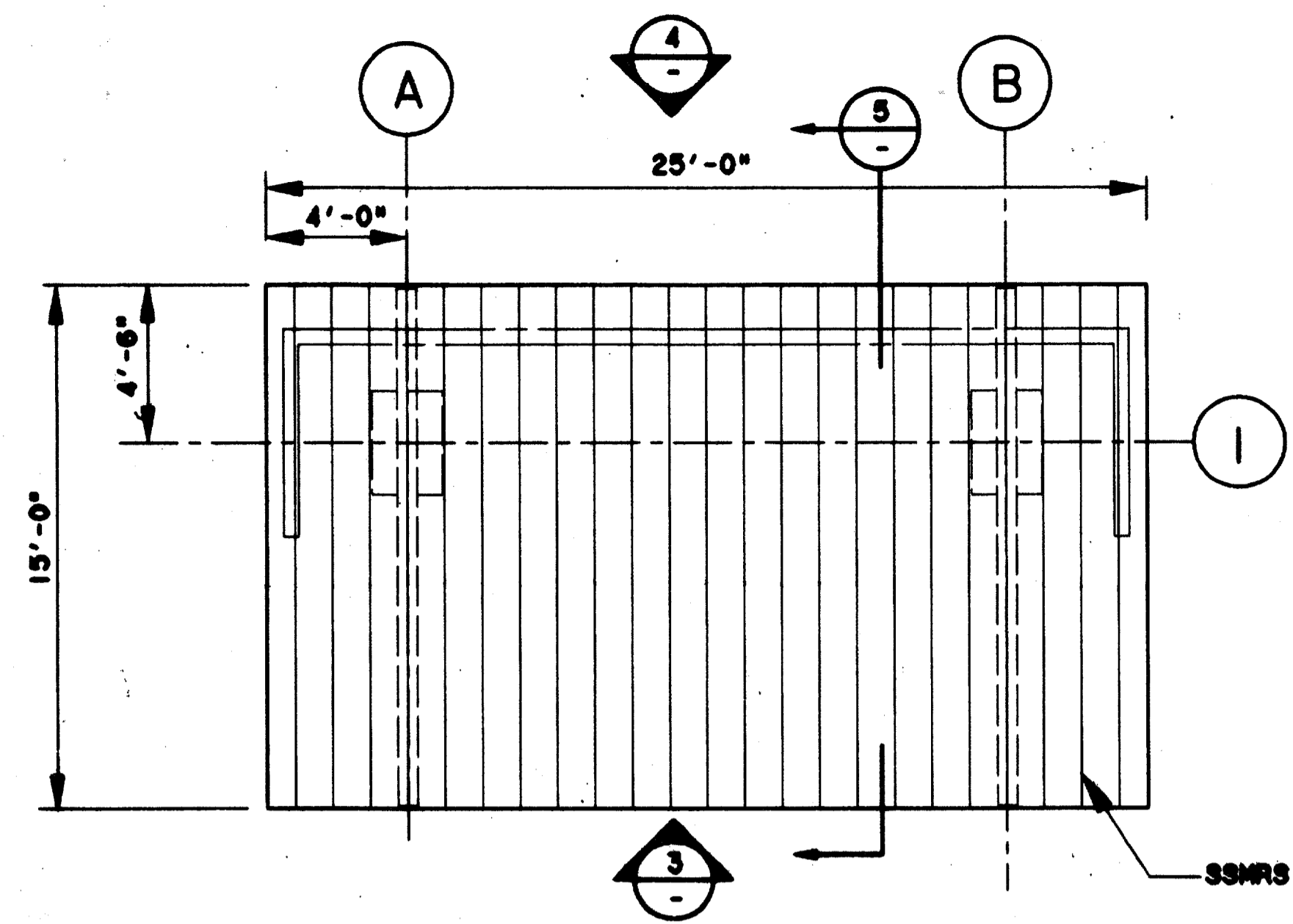


PRF ROTATION=270.00000000  
 Q:\BYERS\TABLES\lgd\GUESES\abctafri.prf  
 \$\$\$USERNAME\$\$\$

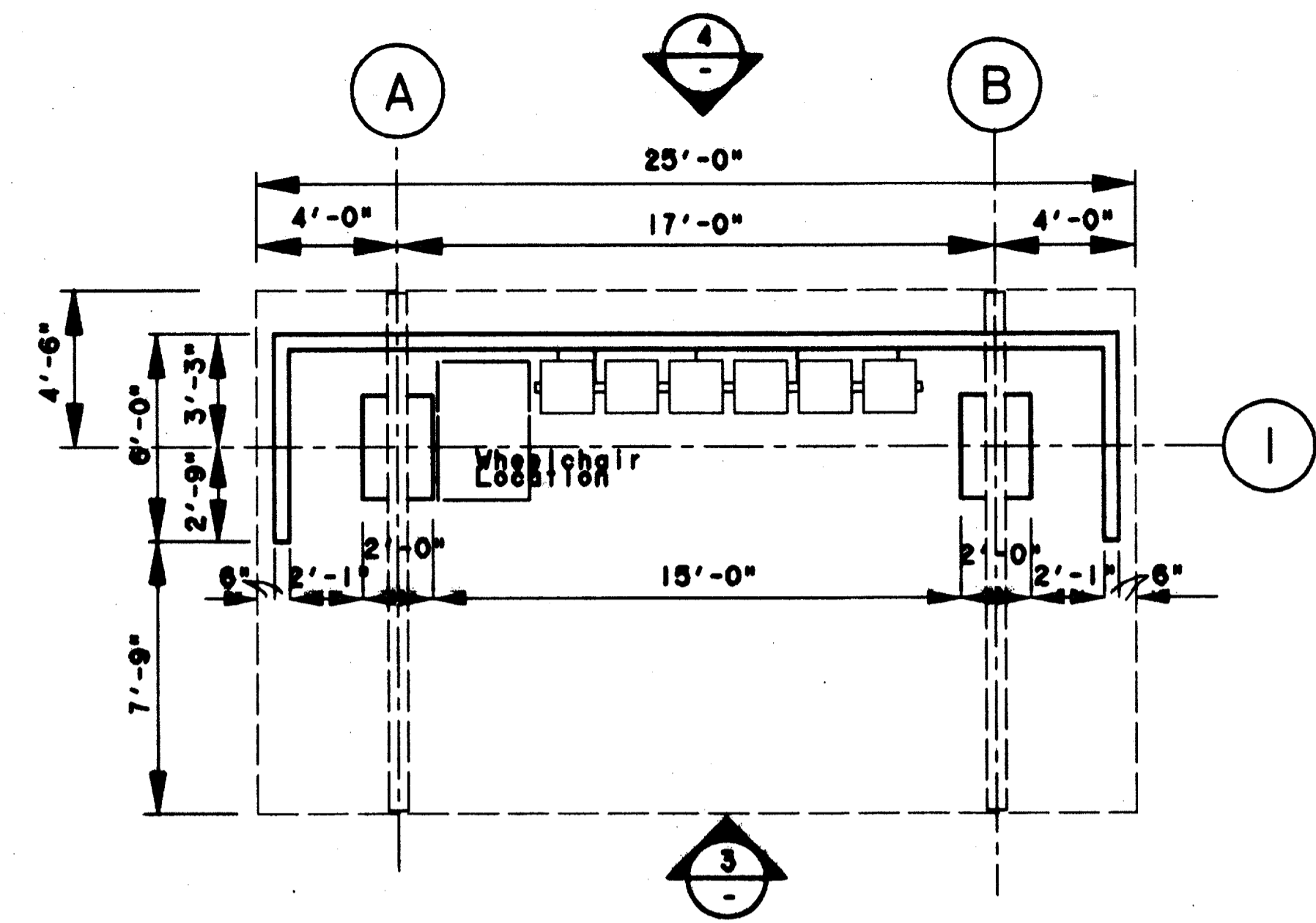
no ref logical, no ref name, no ref levels  
 no ref logical, no ref name, no ref levels  
 no ref logical, no ref name, no ref levels  
 no ref logical, no ref name, no ref levels  
 no ref logical, no ref name, no ref levels  
 no ref logical, no ref name, no ref levels

ORDER, C:\TEMP\DART\abctafri.l.008, 1-6-13-22-24-29-31-33-36-62  
 IND, C:\TEMP\DART\abctafri.l.002, 1-39-41-45-47-62  
 no ref logical, no ref name, no ref levels  
 no ref logical, no ref name, no ref levels  
 no ref logical, no ref name, no ref levels  
 no ref logical, no ref name, no ref levels

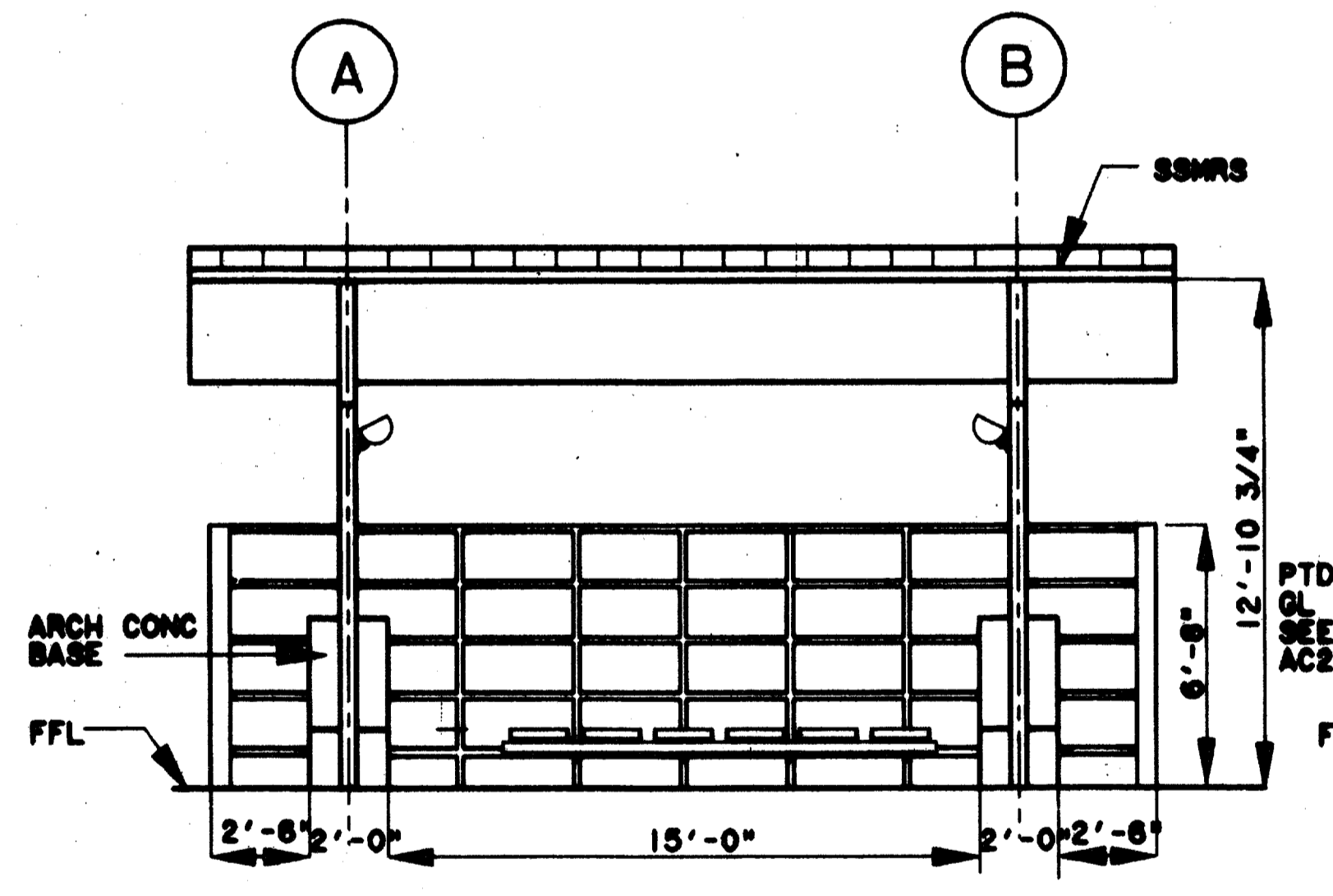
1000-23V ON DND



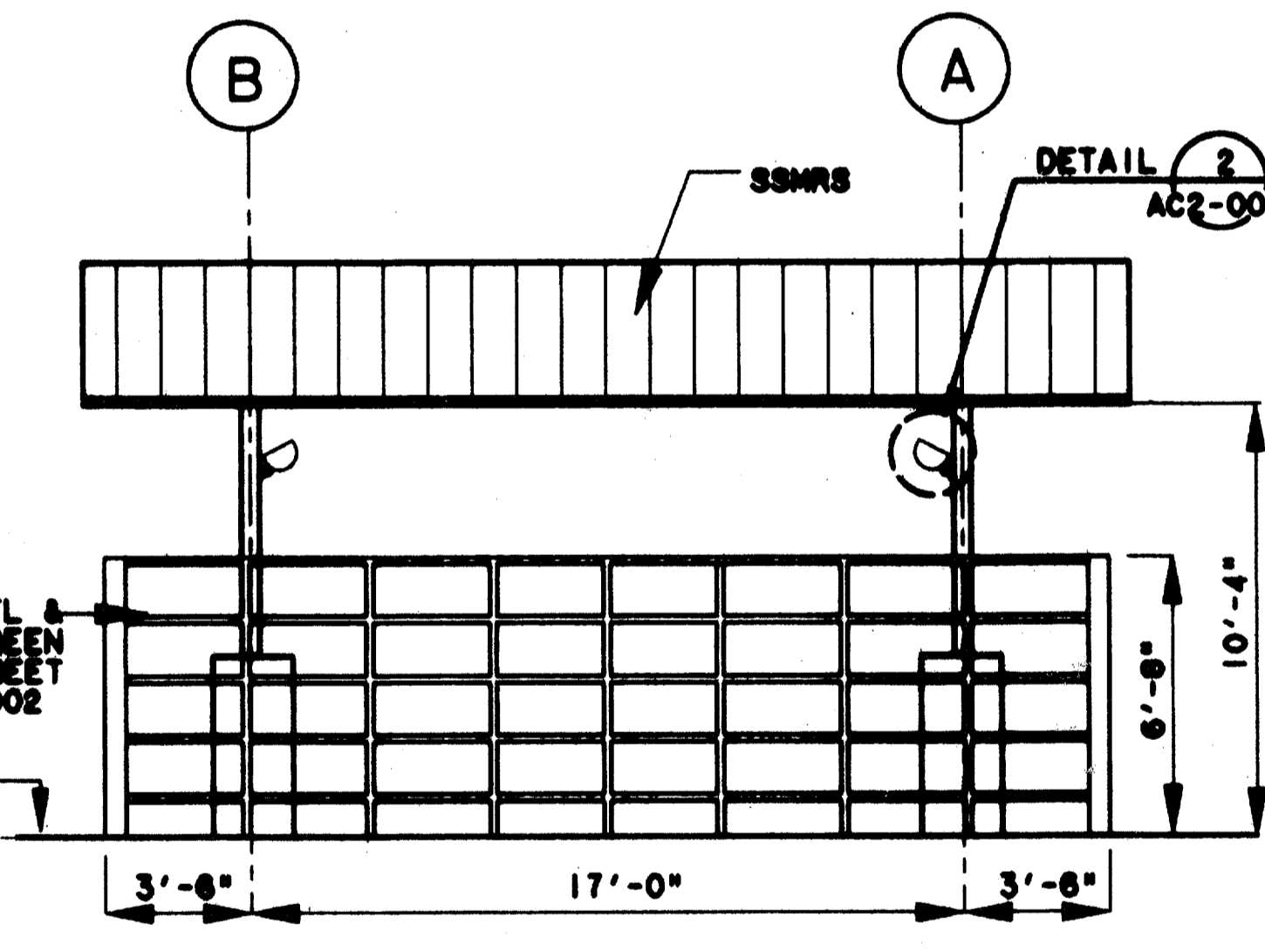
**CANOPY ROOF PLAN (1)**  
 SCALE: 1/4"=1'-0"



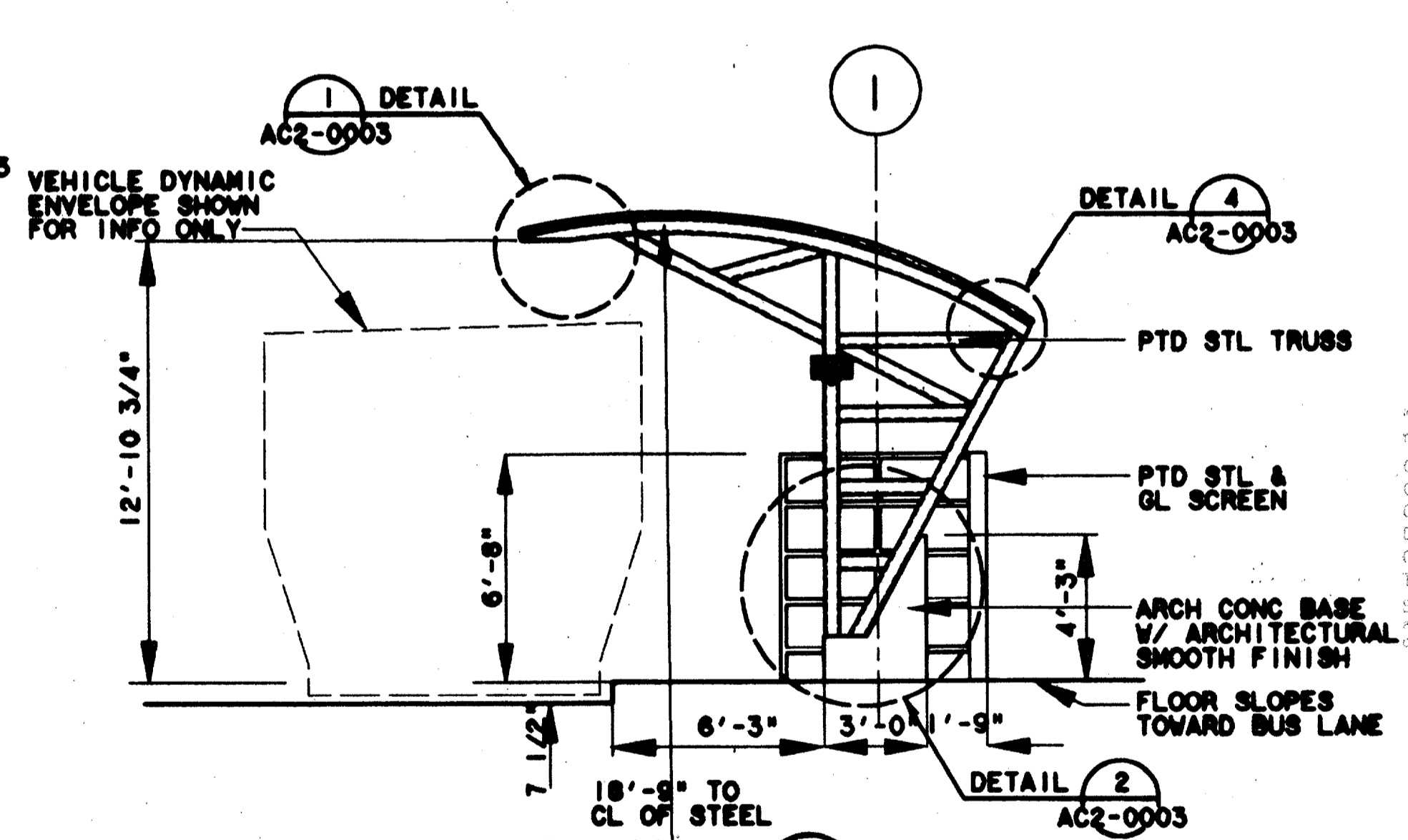
**CANOPY PLAN (2)**  
 SCALE: 1/4"=1'-0"



**CANOPY FRONT ELEVATION (3)**  
 SCALE: 1/4"=1'-0"



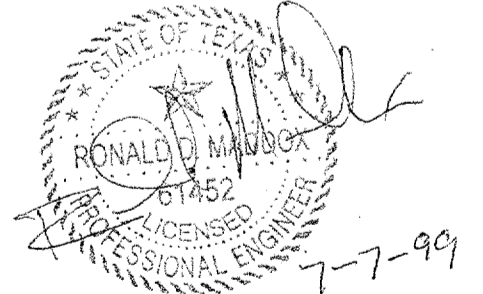
**CANOPY BACK ELEVATION (4)**  
 SCALE: 1/4"=1'-0"



**CANOPY SECTION (5)**  
 SCALE: 1/4"=1'-0"

- NOTES:
- 1. ALL WELDS ON WINDSCREEN & ALL EXPOSED STRUCTURAL STEEL CANOPY TRUSS TO BE GROUND SMOOTH.
  - 2. CONTRACTOR TO COORDINATE & INSTALL LIGHTS POWER THRU THE TRUSS MEMBER.

Record (As-Built) Construction!  
 Having checked this submission, we certify that it conforms to the requirements of the contract in all respects except as otherwise indicated.  
 Contract Number: 27000233  
 Company Name: WEA  
 Official of Firm Signature: RONALD J. WEA  
 Title of Official (Typed): PRESIDENT  
 Seal of Professional Engineer or Construction Geotechnician, including signature and date, thereby making record (as-built) drawings for accuracy of as-built conditions reflected herein, shall be placed below.



**CONFORMED**

CONTRACT SHEET No. 88 OF 98

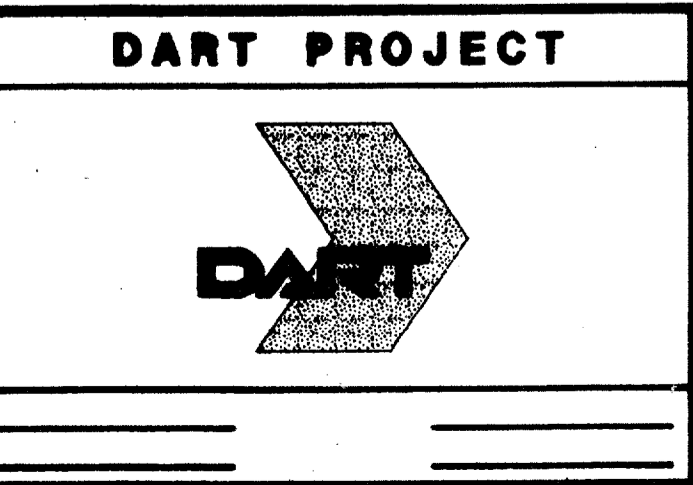
**ADDISON TRANSIT CENTER CANOPY PLAN & ELEVATIONS**

REV	DATE	DESCRIPTION	BY	ENS	CHK	APP	REV	DATE	DESCRIPTION	BY	ENS	CHK	APP



**Lockwood, Andrews & Newnam, Inc.**  
 A SUBSIDIARY OF LEO A DALY

**WLA**  
**WENDY LOPEZ & ASSOCIATES, INC.**  
 ARCHITECTS - INTERIORS - CONSTRUCTION SERVICES  
 222 MARINE CORP BLVD - SUITE 50  
 DALLAS, TEXAS 75201  
 (214) 742-7777



SCALE: 1/4"=1'-0"  
 DRAWN: K. DEAN  
 DESIGNED: W. WANDON/K. DEAN  
 CHECKED: W. WANDON/RON BOLTON  
 IN CHARGE: V. STEVENS  
 DATE: 14 AUGUST 07

CONTRACT: 6-07000138  
 BUS No.: AC2-0001  
 REV: 0