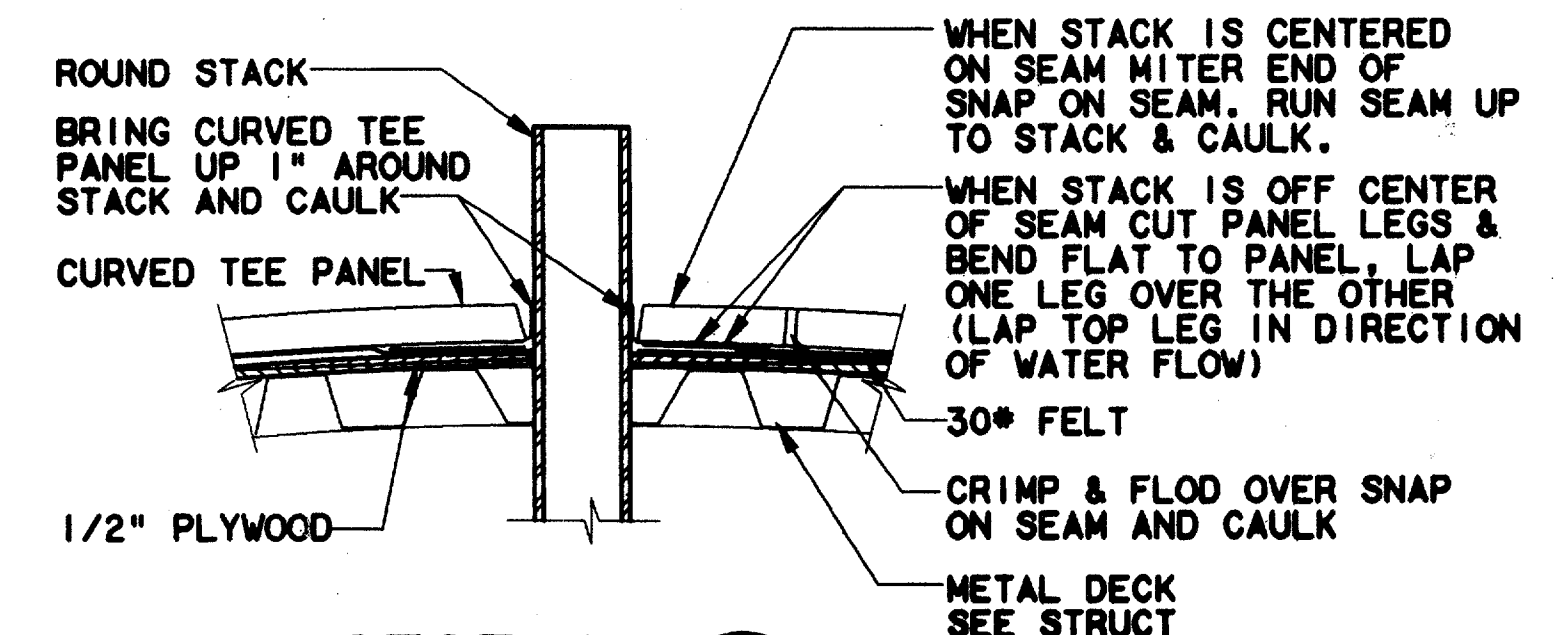
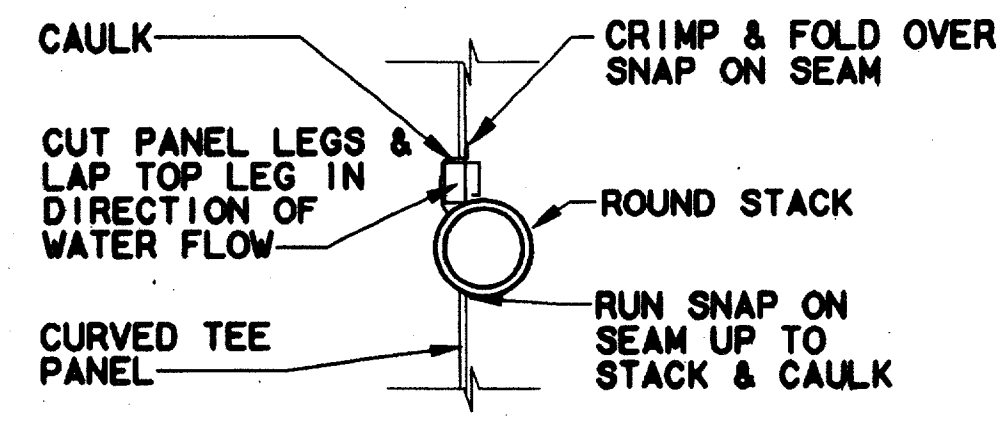
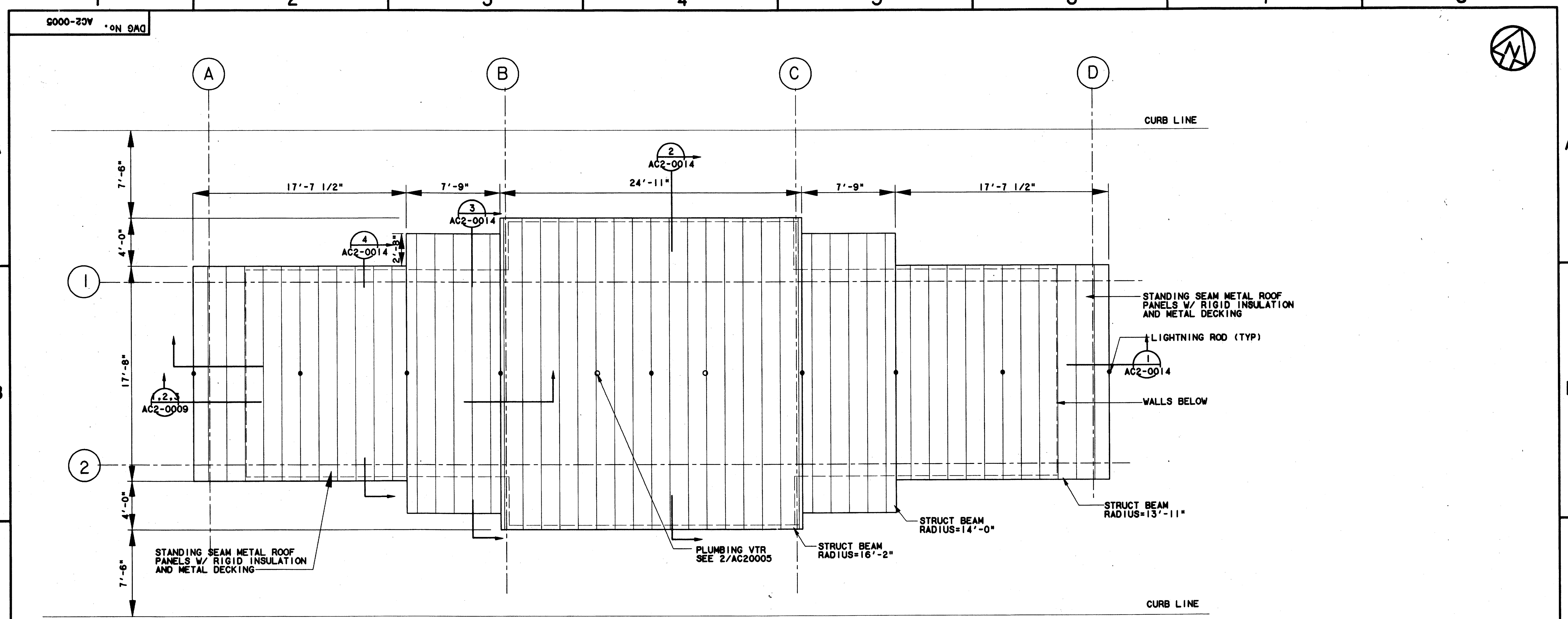


\$\$\$DGN\$\$\$SPECIFICATION\$\$\$\$
 \$\$\$SYTIME\$\$\$
 \$\$\$PRF\$\$\$
 \$\$\$SERNAME\$\$\$

\$\$\$PRF ROT\$\$\$
 \$\$\$PEN\$\$\$

\$\$\$FILE6\$\$\$
 \$\$\$FILE7\$\$\$
 \$\$\$FILE8\$\$\$
 \$\$\$FILE9\$\$\$
 \$\$\$FILE10\$\$\$

FILE1\$\$
 FILE2\$\$
 FILE3\$\$
 FILE4\$\$
 FILE5\$\$



NOTE: WHEN STACK IS CENTERED ON SEAM RUN SNAP ON SEAMS UP TO STACK & CAULK ON BOTH THE HIGH & LOW SIDES.

ROOF PENETRATION DETAIL
 SCALE: 1/2"=1'-0"

ENCLOSURE ROOF PLAN (1)
 SCALE: 1/4"=1'-0"

Record (As-built) Certification
 "Having checked this submission, we certify that it conforms to the requirements of the contract in all respects unless otherwise indicated."
 Contract Number: 97000136
 Company Name: WEA LLC
 Date: 7-7-99
 Officer of Firm Name (typed): TOM KADER
 Title of Officer (typed): PRESIDENT
 Seal of Professional Engineer of Construction Contractor, including signature and date. Thereby assuring record (as-built) drawings for accuracy of as-built conditions reflected herein, must be placed below.



CONFORMED

CONTRACT SHEET No. 57 OF 95

ADDISON
 TRANSIT CENTER
 ENCLOSURE
 ROOF PLAN

| REV | DATE | DESCRIPTION | BY | ENG | CHK | APP | REV | DATE | DESCRIPTION | BY | ENG | CHK | APP |
|-----|------|-------------|----|-----|-----|-----|-----|------|-------------|----|-----|-----|-----|
| | | | | | | | | | | | | | |
| | | | | | | | | | | | | | |
| | | | | | | | | | | | | | |
| | | | | | | | | | | | | | |
| | | | | | | | | | | | | | |
| | | | | | | | | | | | | | |
| | | | | | | | | | | | | | |
| | | | | | | | | | | | | | |
| | | | | | | | | | | | | | |
| | | | | | | | | | | | | | |



Lockwood, Andrews & Newnam, Inc.
 A SUBSIDIARY OF LEO A DALY

WENDY LOPEZ & ASSOCIATES, INC.
 ENGINEERING • SURVEYING • CONSTRUCTION SERVICES
 102 MURPHY CENTER BLVD - SUITE 20
 DALLAS, TEXAS 75277
 (214) 74-7777

DART PROJECT

| | |
|-----------|------------------------|
| SCALE | 1/4"=1'-0" |
| DRAWN | K. DEAN |
| DESIGNED | N. INFANZON/K. DEAN |
| CHECKED | N. INFANZON/RON BOLTON |
| IN CHARGE | V. STEVENS |
| DATE | 14 AUGUST 97 |

CONTRACT C-97000136 DWG No. AC2-0005 REV 0