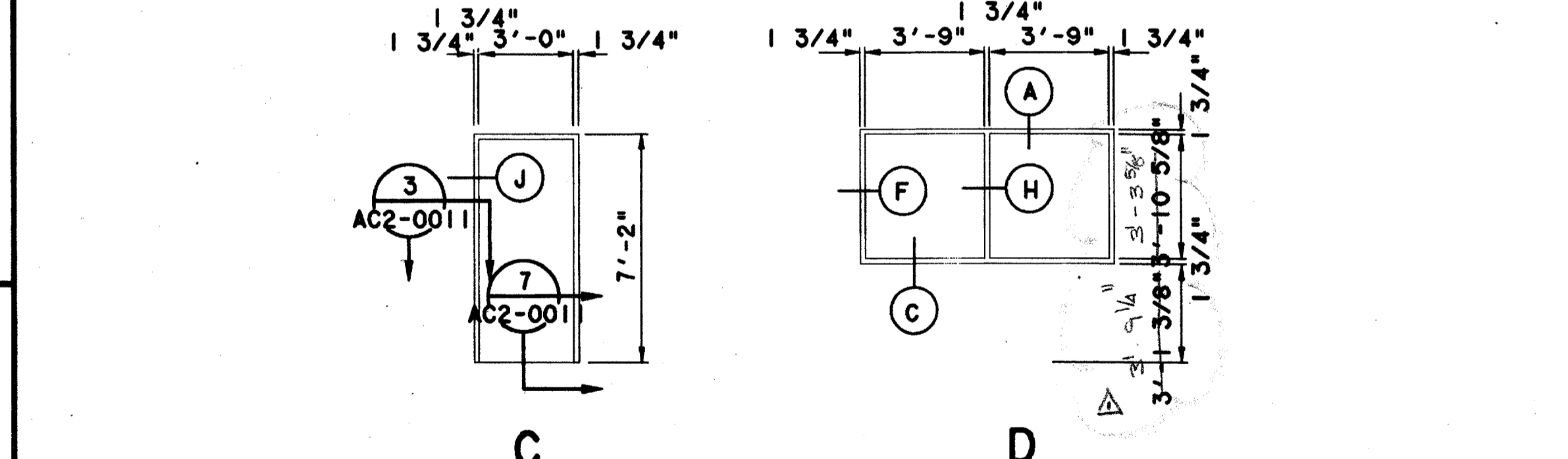
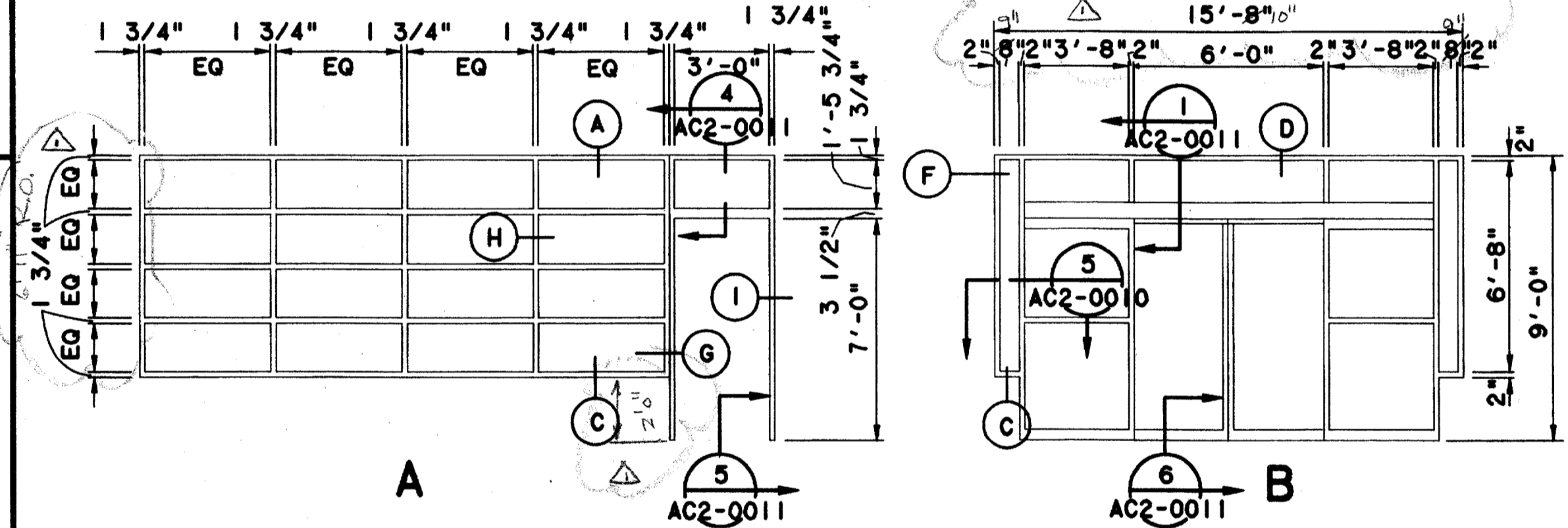
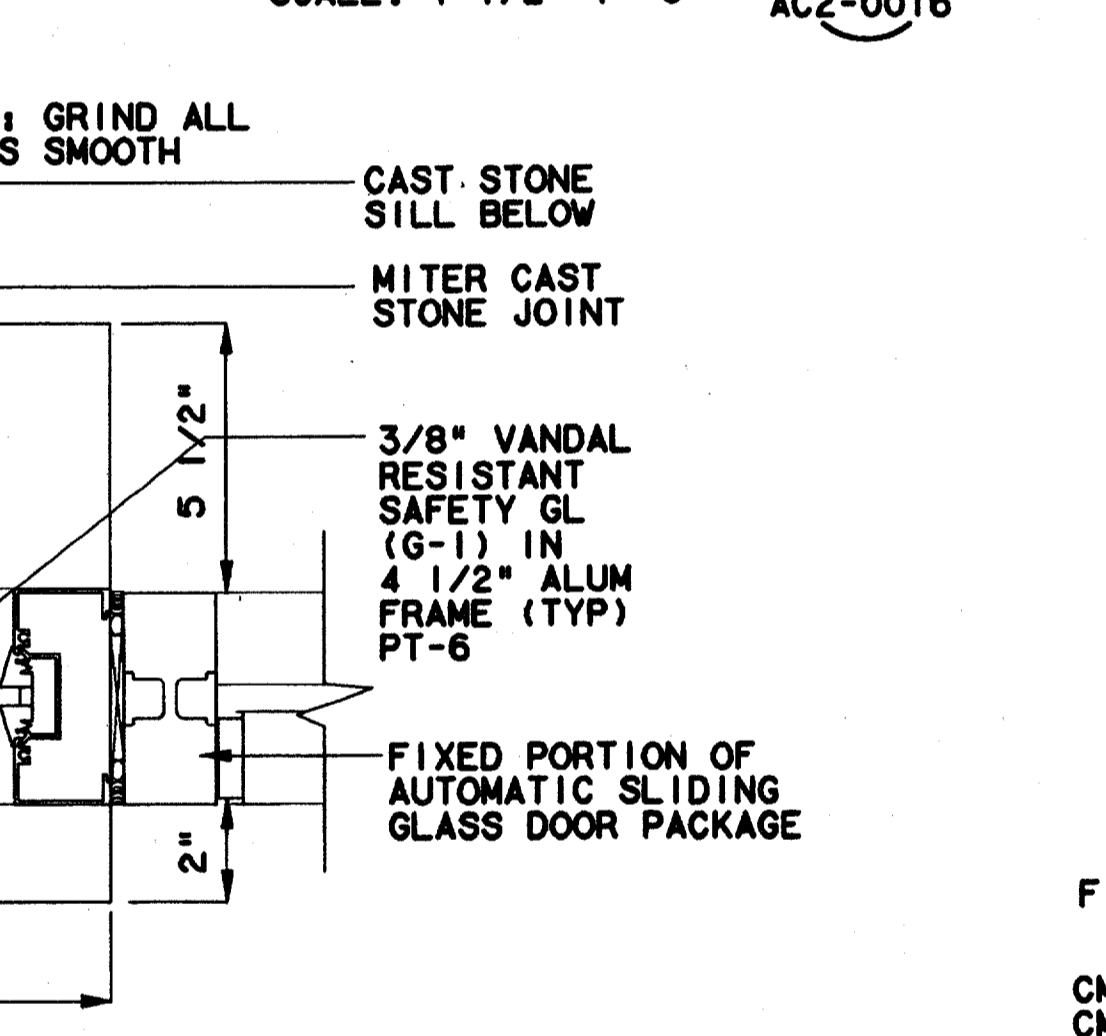
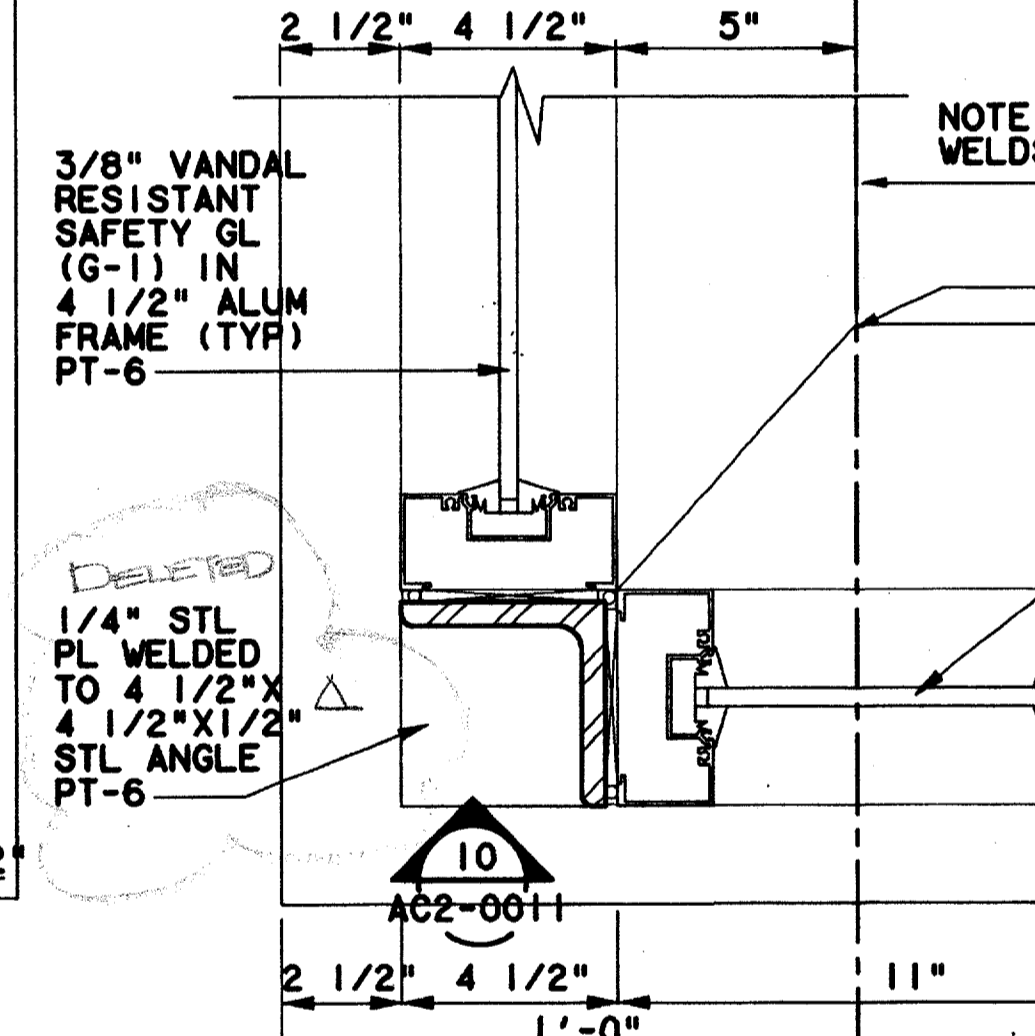
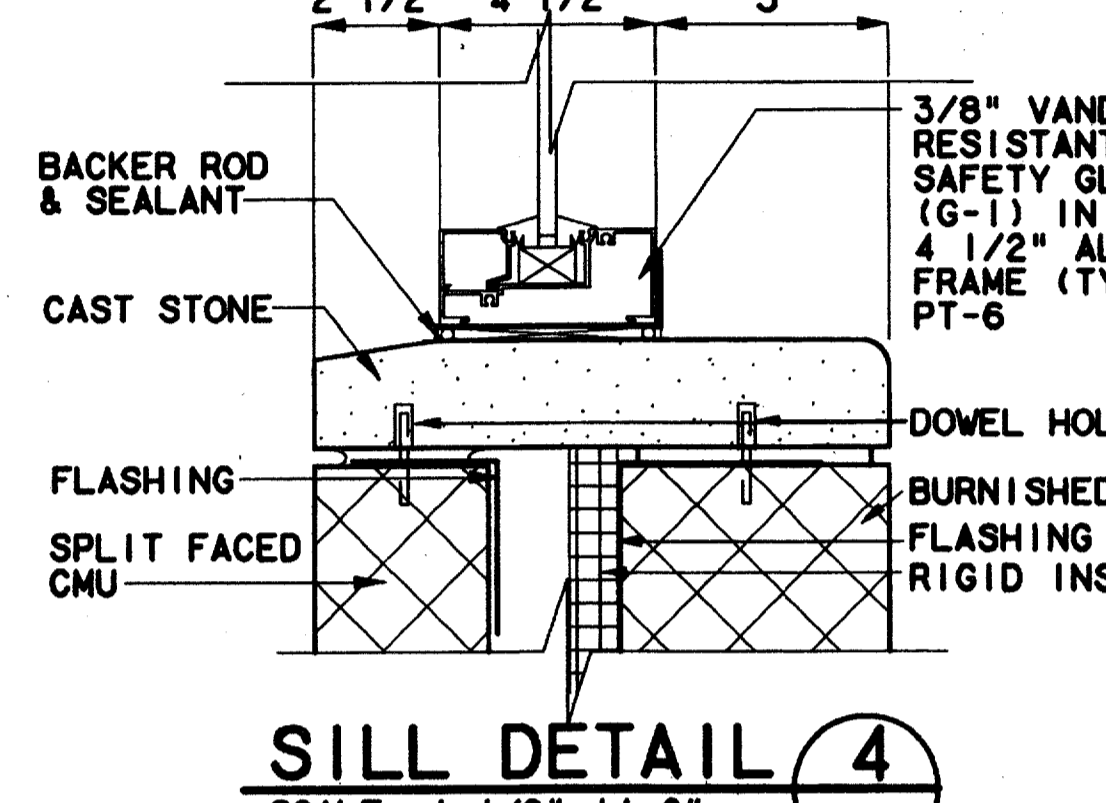
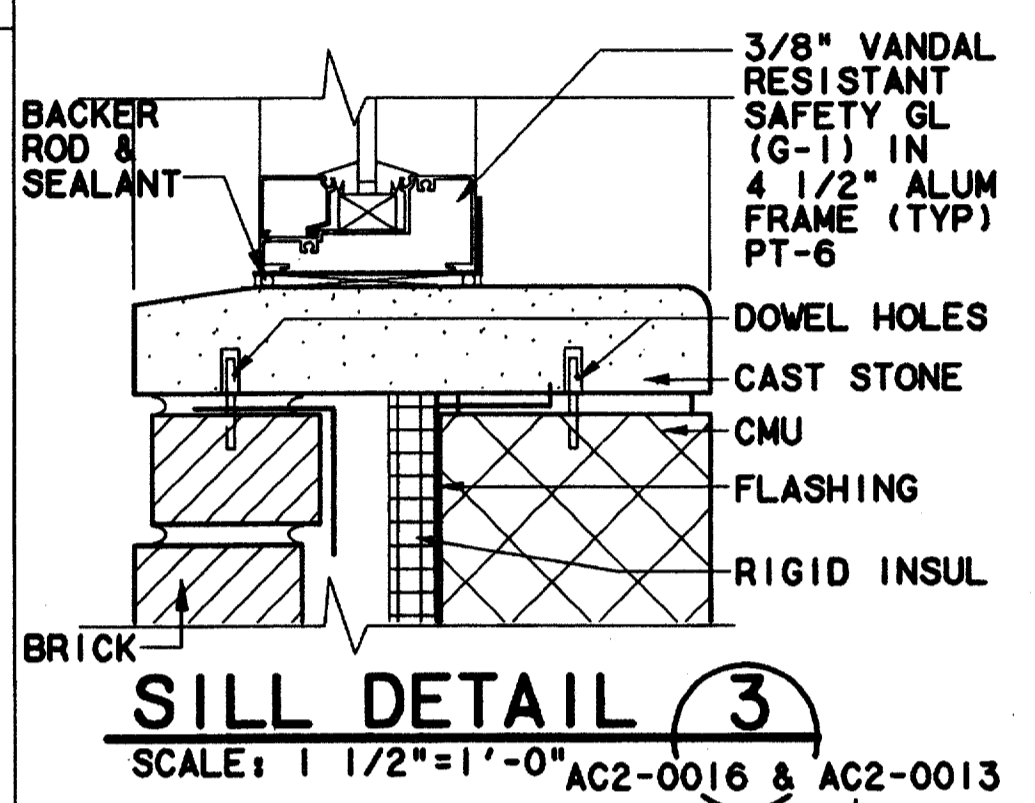
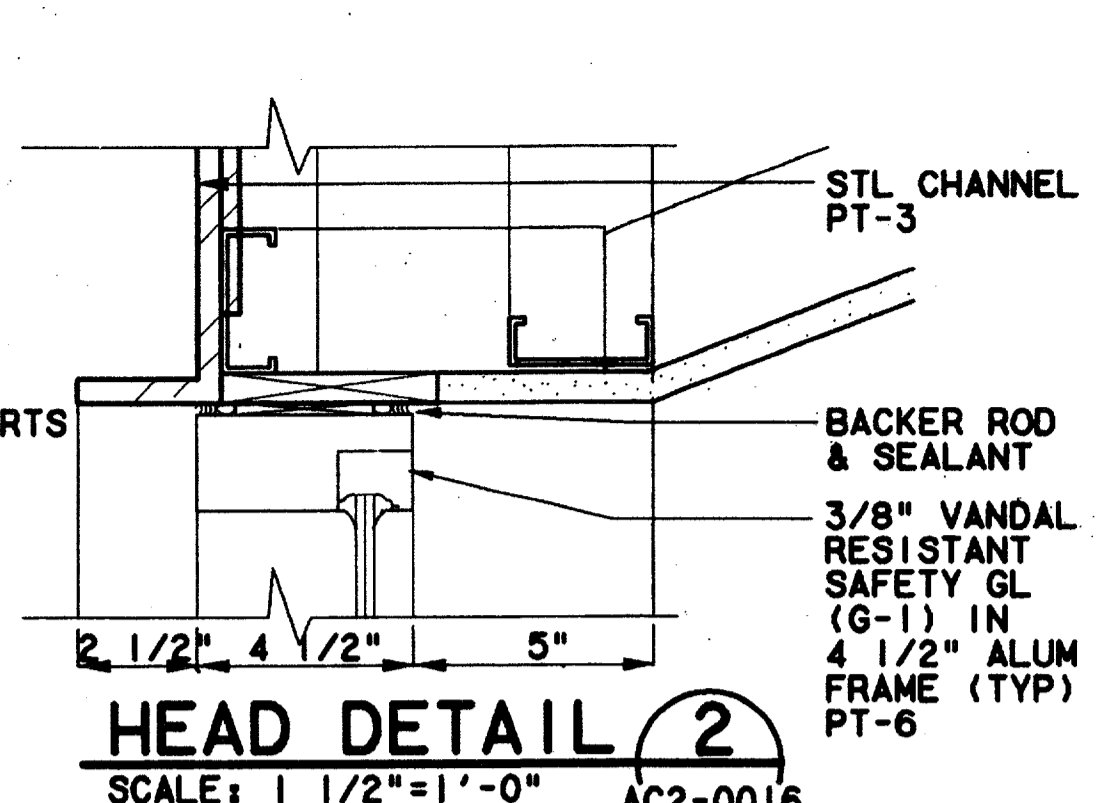
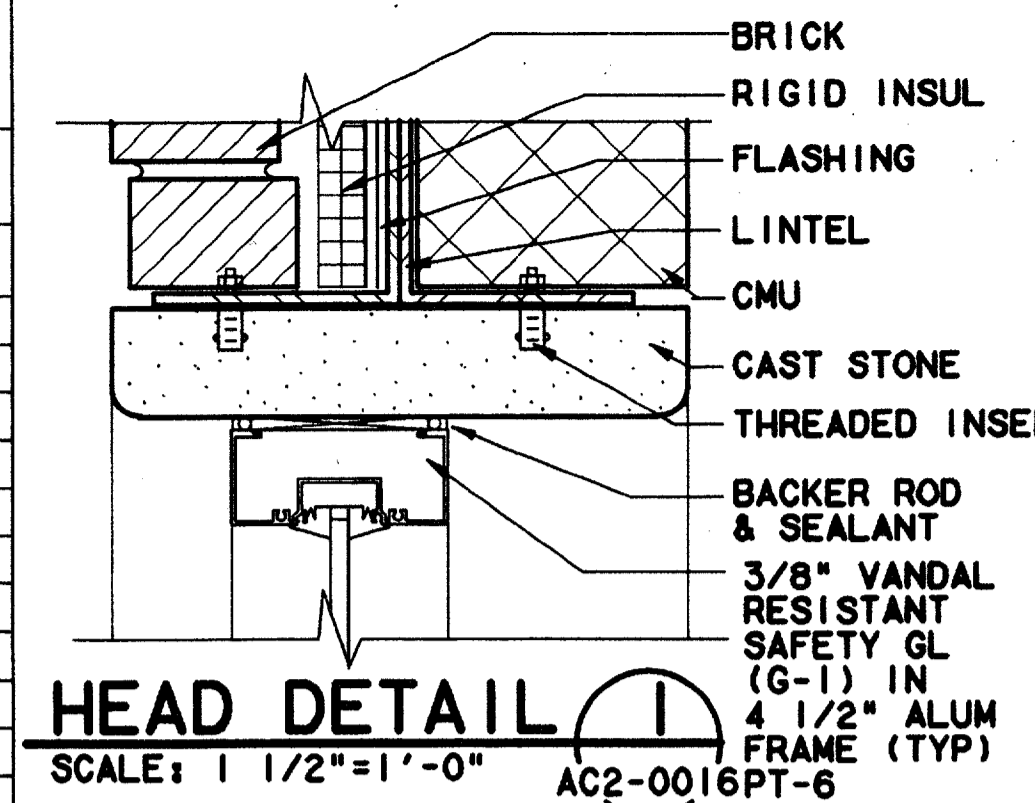


DOOR SCHEDULE

NO	DOOR SIZE	TYPE	MATL	FIN	HDW SET	FRAME SCHEDULE						NOTES	
						TYPE	MATL	SIZE	FIN	HEAD	JAMB		SILL
01	6'-0"X7'-6"	C	AL/G-1	PT-6	HW-3	B	AL	4 1/2"	PT-6	1/AC2-0011	5/AC2-0010	6/AC2-0011	
02	3'-0"X7'-0"	A	AL/G-1	PT-6	HW-2	A	AL	4 1/2"	PT-6	4/AC2-0011	8/AC2-0011	5/AC2-0011	PANIC HARDWARE
03	3'-0"X7'-0"	B	HM	PT-1	HW-4	C	HM	4 1/2"	PT-1	3/AC2-0011	3/AC2-0011	7/AC2-0011	
04	3'-0"X7'-0"	B	HM	PT-1	HW-5	C	HM	4 1/2"	PT-1	3/AC2-0011	3/AC2-0011	7/AC2-0011	
05	3'-0"X7'-0"	B	HM	PT-1	HW-4	C	HM	4 1/2"	PT-1	3/AC2-0011	3/AC2-0011	7/AC2-0011	
06	3'-0"X7'-0"	A	AL/G-1	PT-6	HW-1	A	AL	4 1/2"	PT-6	4/AC2-0011	8/AC2-0011	5/AC2-0011	PANIC HARDWARE
07	6'-0"X7'-6"	C	AL/G-1	PT-6	HW-3	B	AL	4 1/2"	PT-6	1/AC2-0011	5/AC2-0010	6/AC2-0011	
08	3'-0"X7'-0"	A	AL/G-1	PT-6	HW-2	A	AL	4 1/2"	PT-6	4/AC2-0011	9/AC2-0011	5/AC2-0011	PANIC HARDWARE
09	3'-0"X7'-0"	A	AL/G-1	PT-6	HW-1	A	AL	4 1/2"	PT-6	4/AC2-0011	9/AC2-0011	5/AC2-0011	PANIC HARDWARE
10													GATE

FINISH SCHEDULE

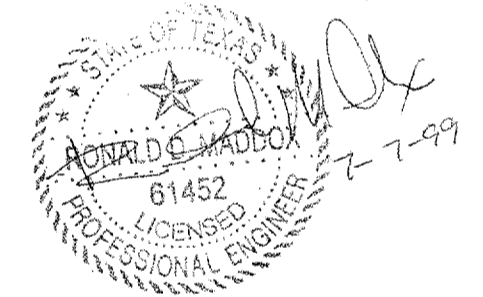
RM	RM NAME	FLR	CLG		WALLS				NOTES
			MATL	HT	N	S	W	E	
101	WOMEN'S RR	D	GWB	8'-11"	CMU-2	CMU-2	CMU-2	CMU-2	
102	JANITORS	B	GWB	8'-11"	CMU-2	CMU-2	CMU-2	CMU-2	
103	MEN'S RR	D	GWB	8'-11"	CMU-2	CMU-2	CMU-2	CMU-2	
104	WAITING AREA	A/B/C/D	GWB	VARIES	CMU-2	CMU-2	CMU-2	CMU-2	
105	WAITING AREA	A	GWB	8'-11"	CMU-2	CMU-2	CMU-2	CMU-2	
106	WAITING AREA	A/B/C/D	GWB	VARIES	CMU-2	CMU-2	CMU-2	CMU-2	



FRAMES SCALE: 1/4"=1'-0" DOORS SCALE: 1/4"=1'-0"

NOTES:
1. ALL GLAZING G-1 UNLESS OTHERWISE NOTED.

Record (As-built) Certification
Having checked this submission, we certify that it conforms to the requirements of the contract in all respects, except as otherwise indicated.
Contract Number: 97000136
Company Name: WEA
Title of Officer: PRESIDENT
Date: 7-2-99
Seal of Professional Engineer of Construction Contracting, including signature and date, thereby bearing record (as-built) drawings for accuracy of as-built conditions reflected herein, must be placed below.



FINISH LEGEND:

- CMU-1 SPLIT FACED CMU
- CMU-2 BURNISHED CMU
- GWB GYPSUM BOARD
- CT-1 12 X 12 ANGELFIRE FLAGSTONE
- CT-2 6 X 6 MAYFLOWER RED QUARY TILE
- CT-3 6 X 6 SERENGETI FLAGSTONE
- CT-4 6 X 6 ANGELFIRE FLAGSTONE

COLOR LEGEND:

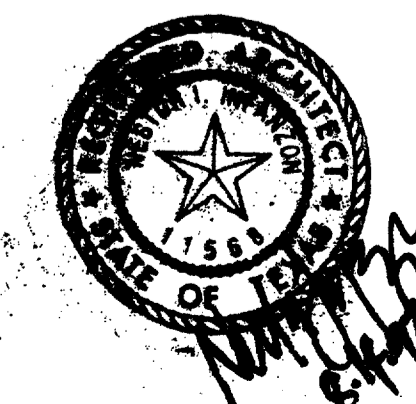
- PT-1 WHITE
- PT-2 PURE WHITE
- PT-3 CHAMPAGNE
- PT-5 BLACK
- PT-6 PANTONE 403C

FOR HARDWARE SET DEFINITION SEE SPEC SECTION 8710

CONFORMED

CONTRACT SHEET No. 62 OF 95

REV	DATE	DESCRIPTION	BY	ENG	CHK	APP	REV	DATE	DESCRIPTION	BY	ENG	CHK	APP
△	8/30/99	RECORD (AS BUILT) DRAWINGS	RJM			DLK							



Lockwood, Andrews & Newnam, Inc.
A SUBSIDIARY OF LEAD A DALY

WLA
WENDY LOPEZ & ASSOCIATES, INC.
ENGINEERING • SURVEYING • CONSTRUCTION SERVICES
1825 MARKET CENTER BLVD - SUITE 300
DALLAS, TEXAS 75207
(214) 741-7777

DART PROJECT
SCALE AS NOTED
DRAWN K. DEAN
DESIGNED N. INFANZON/K. DEAN
CHECKED N. INFANZON/RON BOLTON
IN CHARGE V. STEVENS
DATE 14 AUGUST 97

ADDISON TRANSIT CENTER
DOOR & FINISH SCHEDULE W/ DETAILS
CONTRACT C-97000136 DWG No. AC2-0010 REV 0

\$\$\$DGN SPECIFICATIONS\$\$\$
\$\$\$SYTIME\$\$\$
\$\$\$PRF\$\$\$
\$\$\$USERNAME\$\$\$
\$\$\$PRF ROT\$\$\$
\$\$\$PEN\$\$\$
\$\$\$FILE1\$\$\$
\$\$\$FILE2\$\$\$
\$\$\$FILE3\$\$\$
\$\$\$FILE4\$\$\$
\$\$\$FILE5\$\$\$