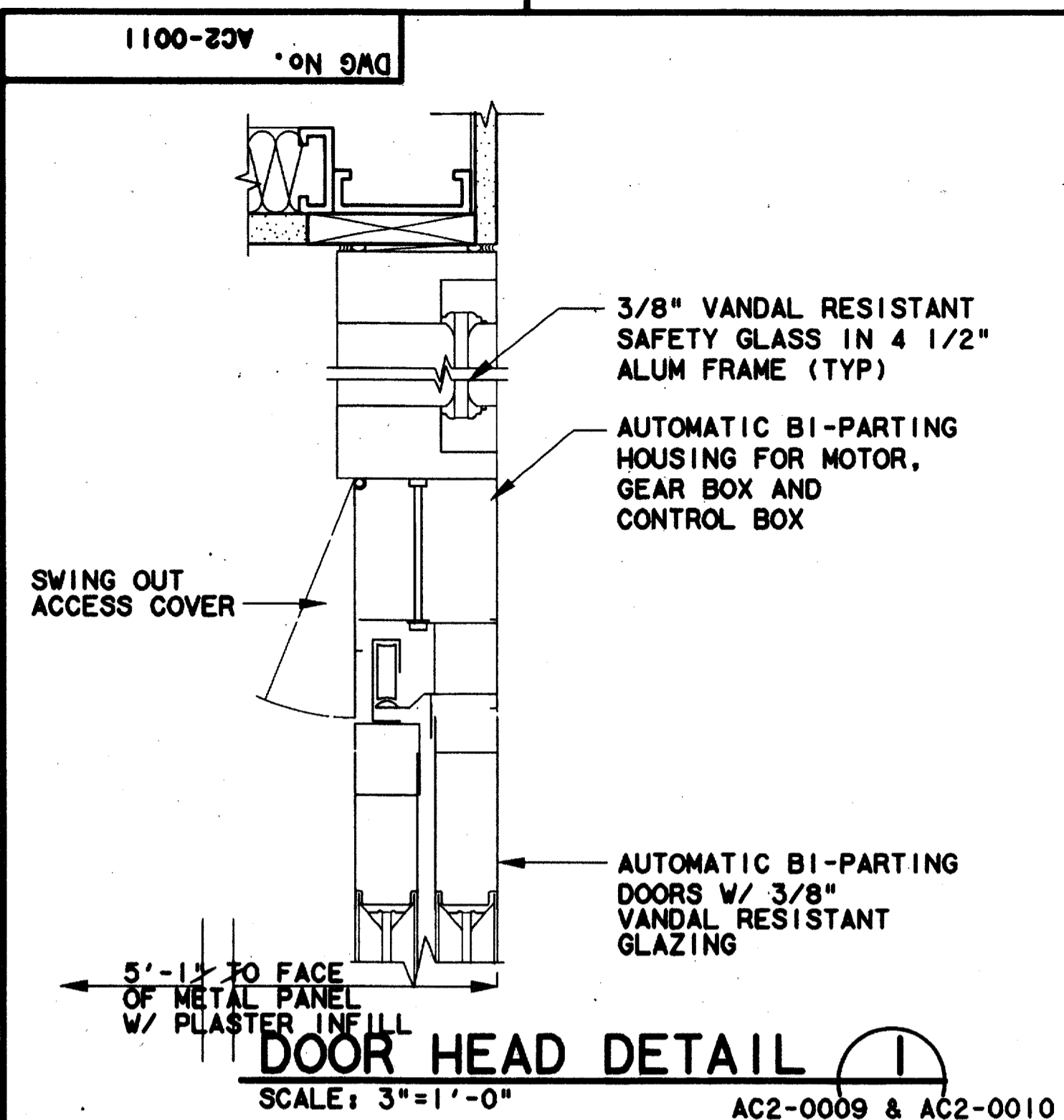
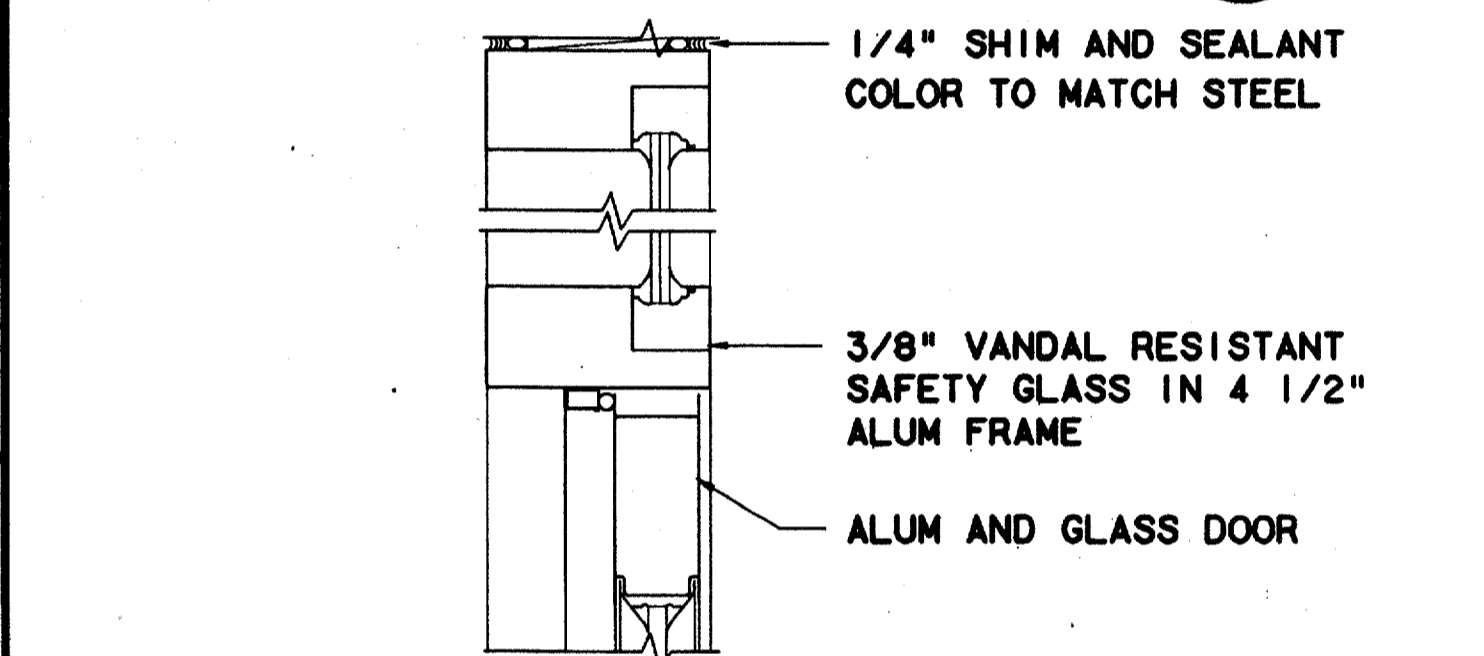


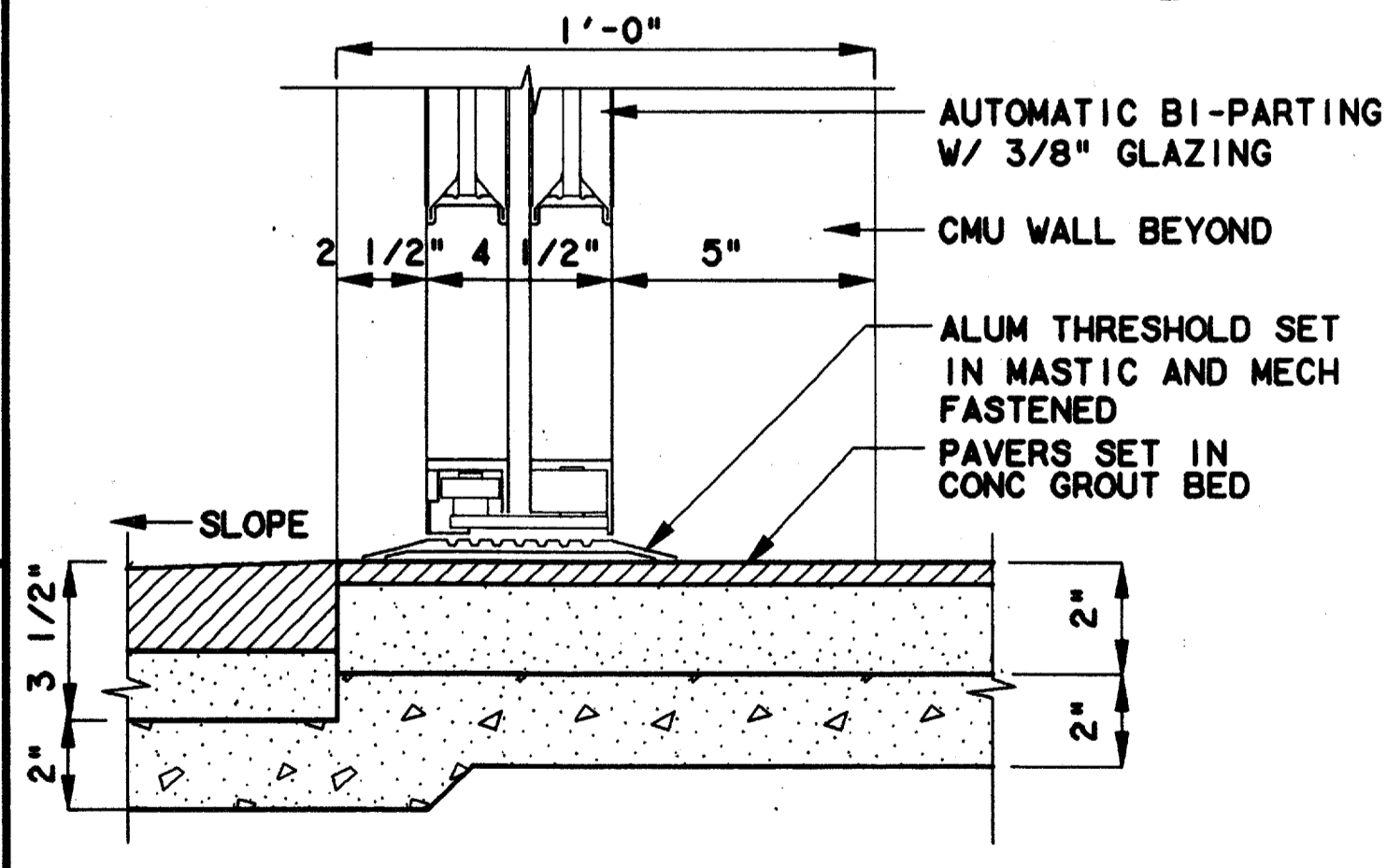
\$\$\$DGN\$\$\$SPECIFICATION\$\$\$\$\$\$\$\$\$\$\$\$\$\$\$\$\$\$\$\$  
 \$\$\$SYTIME\$\$\$  
 \$\$\$PRF\$\$\$  
 \$\$\$USERNAME\$\$\$  
 \$\$\$ROT\$\$\$  
 \$\$\$PEN\$\$\$  
 \$\$\$ILEG\$\$\$  
 \$\$\$ILE7\$\$\$  
 \$\$\$ILE8\$\$\$  
 \$\$\$ILE9\$\$\$  
 \$\$\$ILE10\$\$\$  
 \$\$\$ILE11\$\$\$  
 \$\$\$ILE12\$\$\$  
 \$\$\$ILE13\$\$\$  
 \$\$\$ILE14\$\$\$  
 \$\$\$ILE15\$\$\$



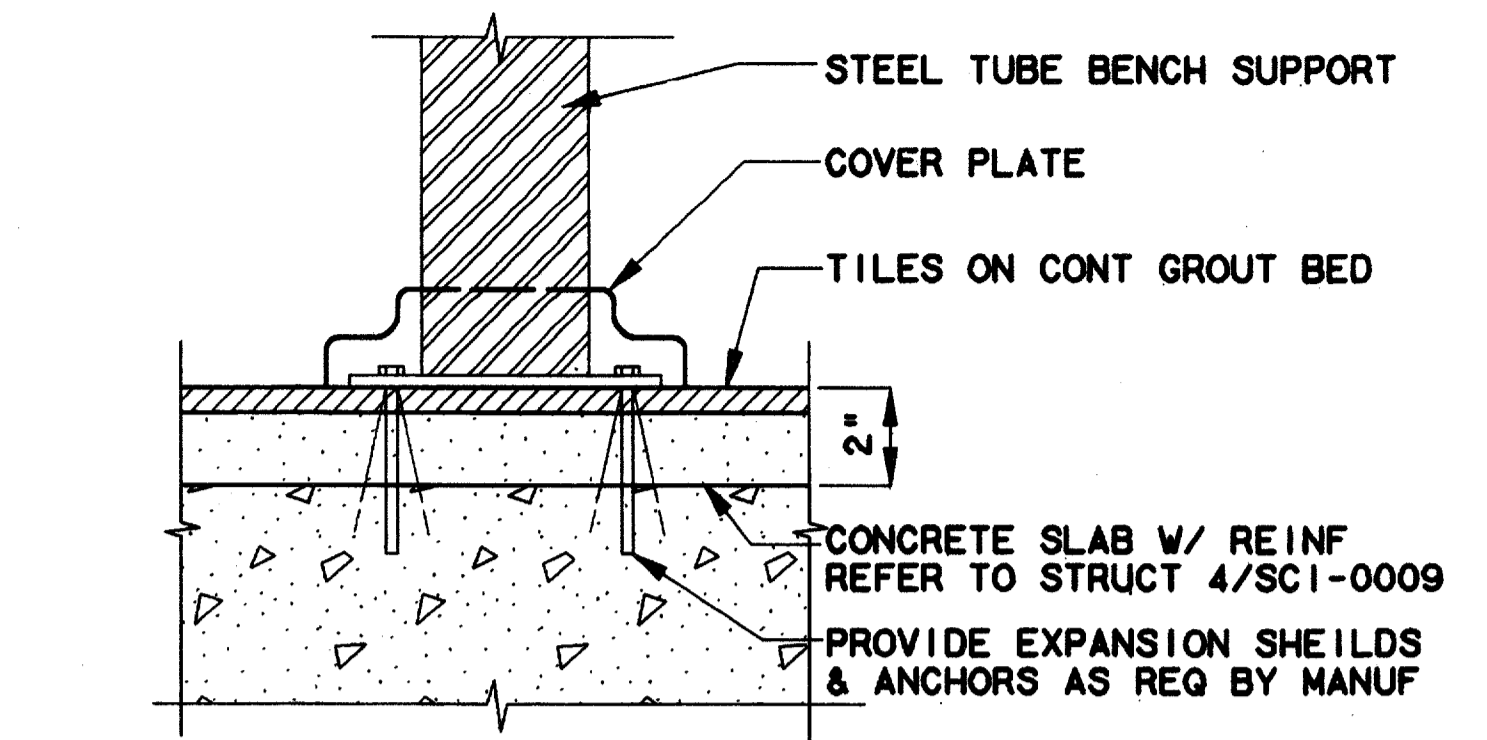
**DOOR HEAD DETAIL 1**  
SCALE: 3"=1'-0"  
AC2-0009 & AC2-0010



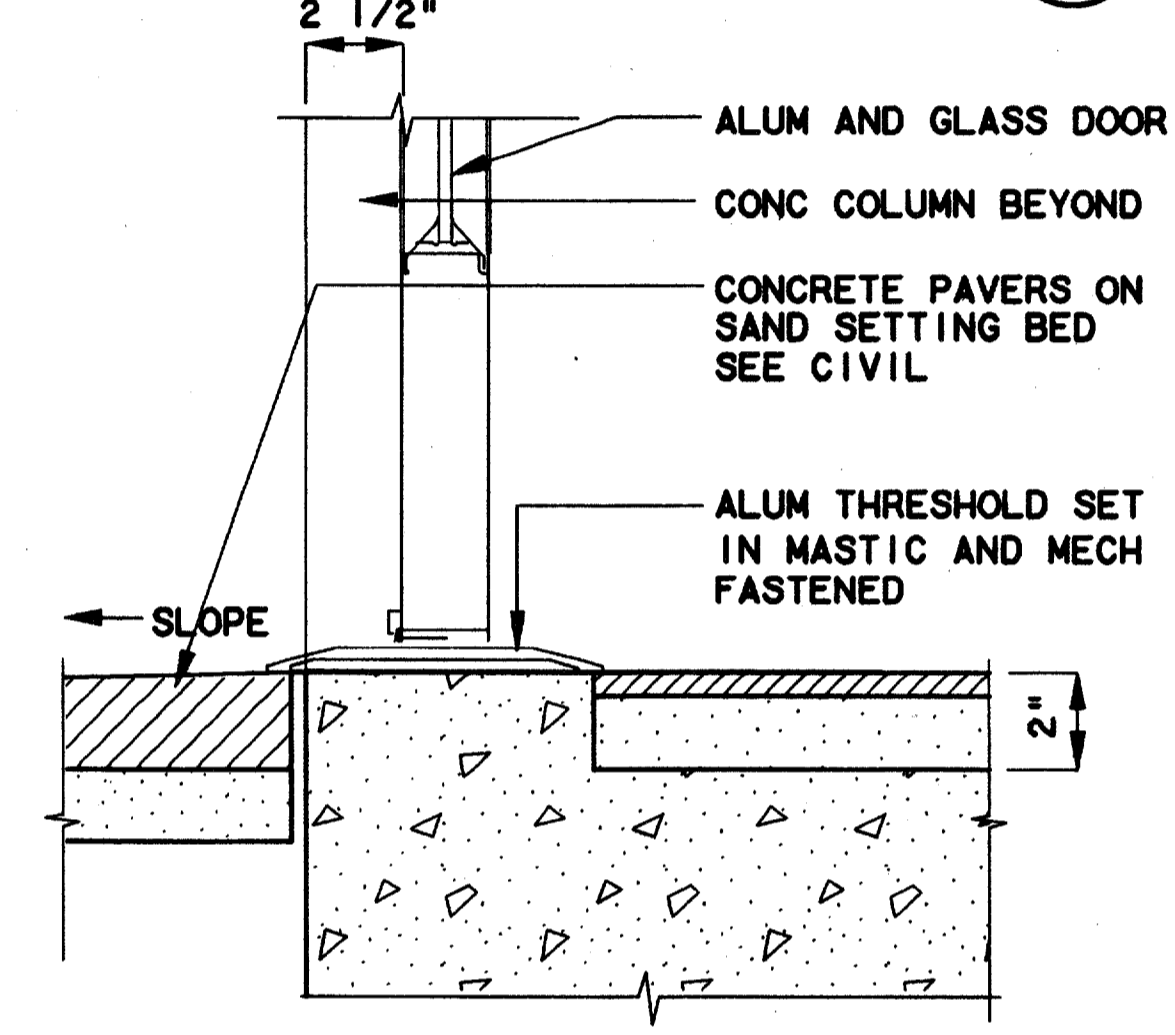
**DOOR HEAD DETAIL 4**  
SCALE: 3"=1'-0"  
AC2-0010



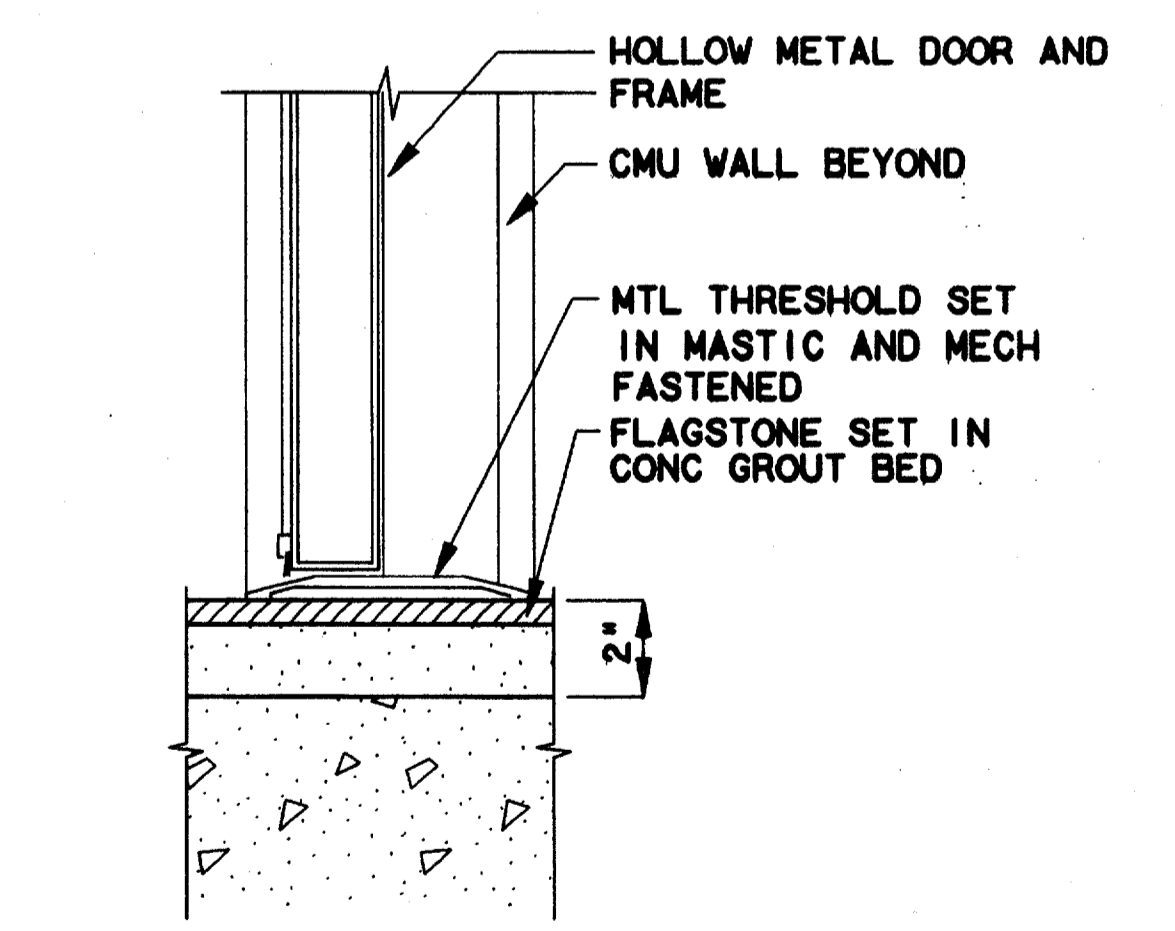
**DOOR SILL DETAIL 6**  
SCALE: 3"=1'-0"  
AC2-0010



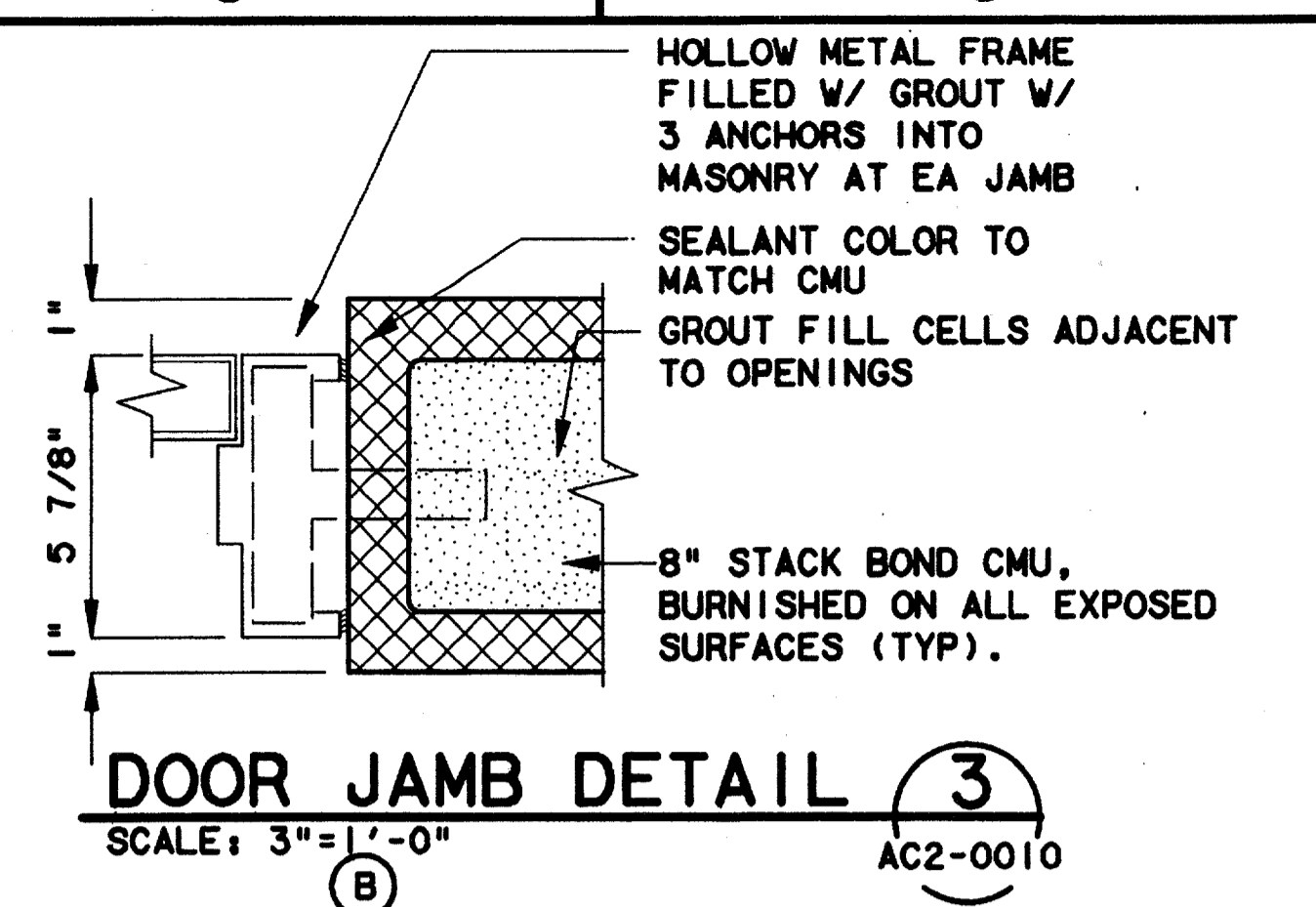
**BENCH SUPPORT DETAIL 2**  
NOT TO SCALE  
AC2-0004



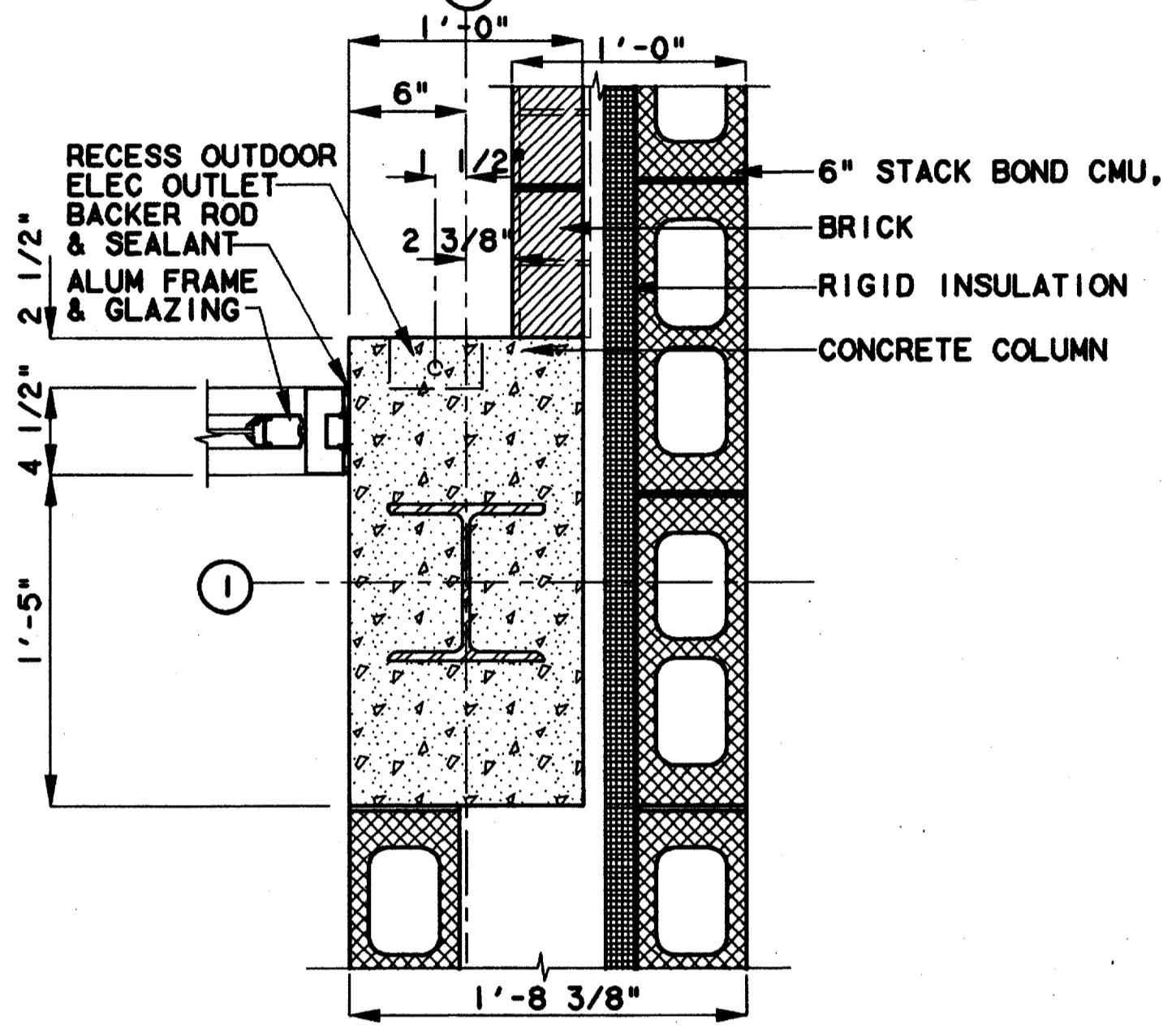
**DOOR SILL DETAIL 5**  
SCALE: 3"=1'-0"  
AC2-0010



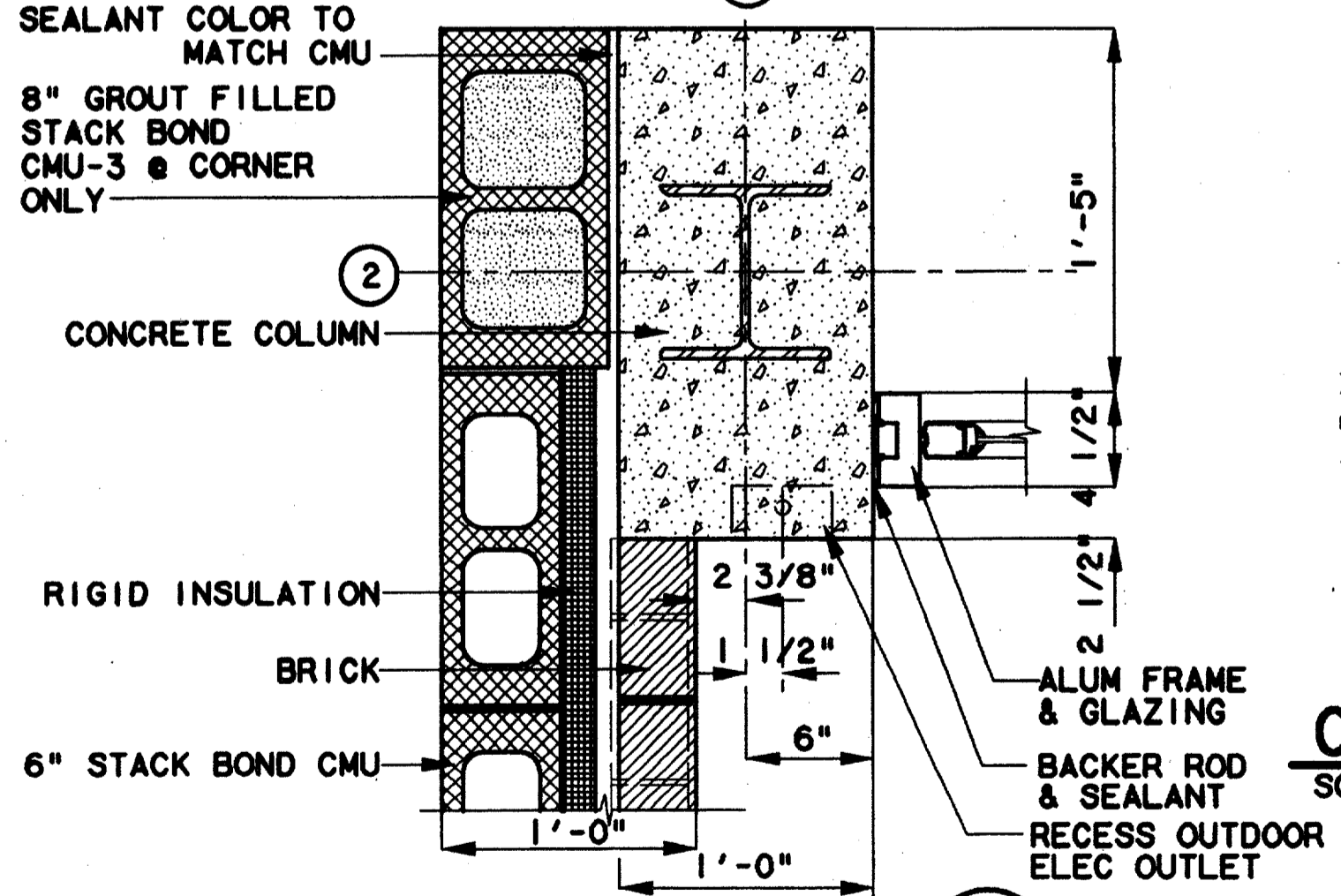
**DOOR SILL DETAIL 7**  
SCALE: 3"=1'-0"  
AC2-0010



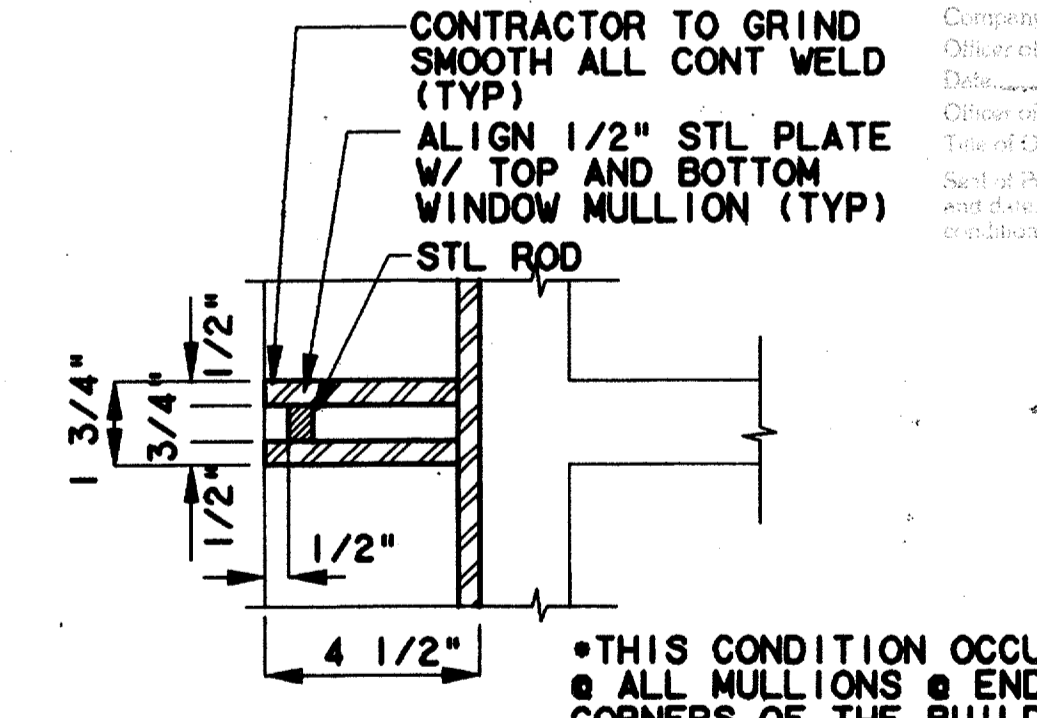
**DOOR JAMB DETAIL 3**  
SCALE: 3"=1'-0"  
AC2-0010



**DOOR JAMB DETAIL 8**  
SCALE: 1 1/2"=1'-0"  
AC2-0004

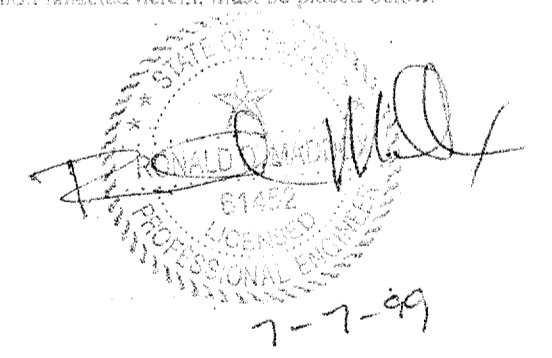


**DOOR JAMB DETAIL 9**  
SCALE: 1 1/2"=1'-0"  
AC2-0004



**CORNER ELEVATION 10**  
SCALE: 1 1/2"=1'-0"  
AC2-0010

Record (As-built) Certification  
 "Having checked this submission, we certify that it complies with the  
 requirements of the contract to all reasonable degrees."  
 Contract Number: 97000136  
 Company Name: WEA  
 Officer or Firm Signature: [Signature]  
 Title: PRESIDENT  
 Officer or Firm Name (typed): TOM KADER  
 Title of Officer (typed): PRESIDENT  
 Seal of Professional Engineer of Construction Contractor including date and  
 word of office, thereby seeing record (as-built) drawings for accuracy of as-built  
 conditions reflected herein, must be placed below.



**CONFORMED**

CONTRACT SHEET No. 63 OF 95

REV	DATE	DESCRIPTION	BY	ENG	CHK	APP	REV	DATE	DESCRIPTION	BY	ENG	CHK	APP

**Lockwood, Andrews & Newnam, Inc.**  
 A SUBSIDIARY OF LEG A DALY

**WENDY LOPEZ & ASSOCIATES, INC.**  
 ENGINEERING • SURVEYING • CONSTRUCTION SERVICES  
 102 MARKET CENTER BLVD - SUITE 510  
 DALLAS, TEXAS 75207  
 (214) 746-7777

**DART PROJECT**

SCALE	AS NOTED
DRAWN	K. DEAN
DESIGNED	N. INFANZON/K. DEAN
CHECKED	N. INFANZON/RON BOLTON
IN CHARGE	V. STEVENS
DATE	14 AUGUST 97

**ADDISON TRANSIT CENTER**  
**DOOR & WINDOW DETAILS**  
 CONTRACT C-97000136    DWG No. AC2-0011    REV 0