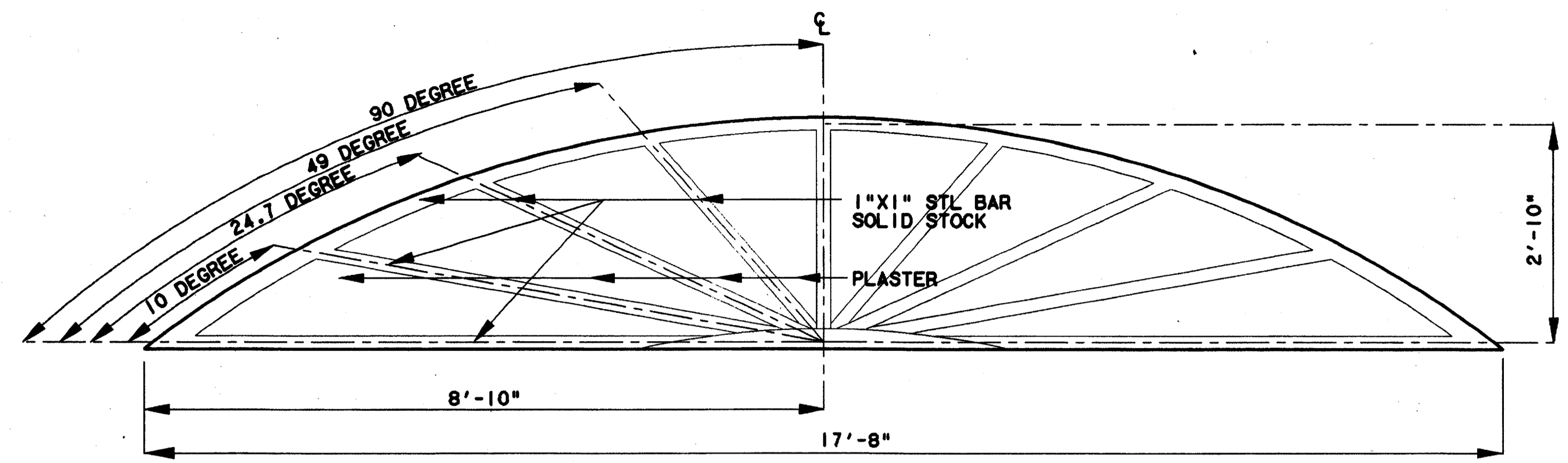


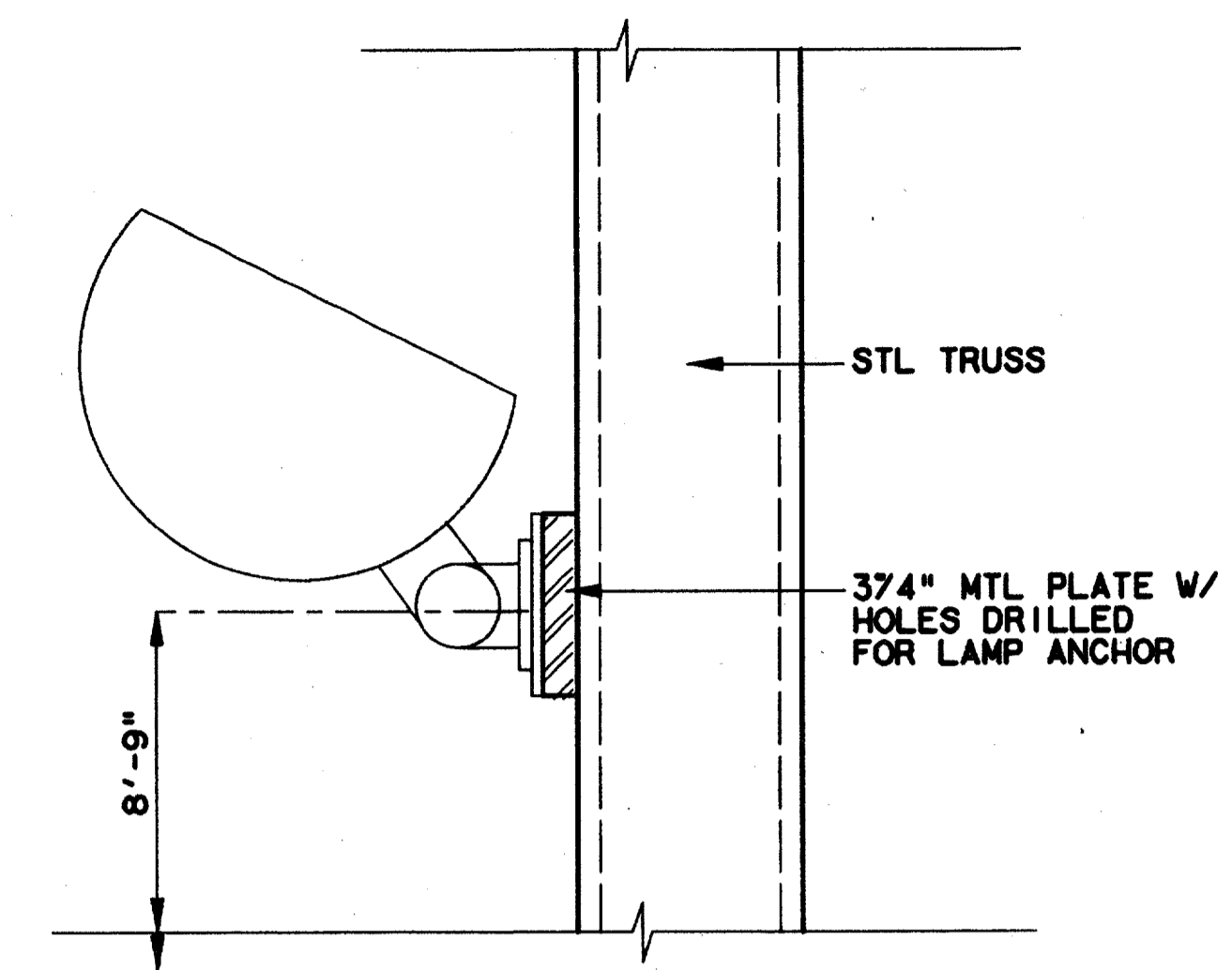
\$\$\$SYTIME\$\$\$\$
 \$\$\$PRF\$\$\$
 \$\$\$PEN\$\$\$
 \$\$\$USERNAME\$\$\$

\$\$\$FILE7\$\$\$
 \$\$\$FILE8\$\$\$
 \$\$\$FILE9\$\$\$
 \$\$\$FILE10\$\$\$

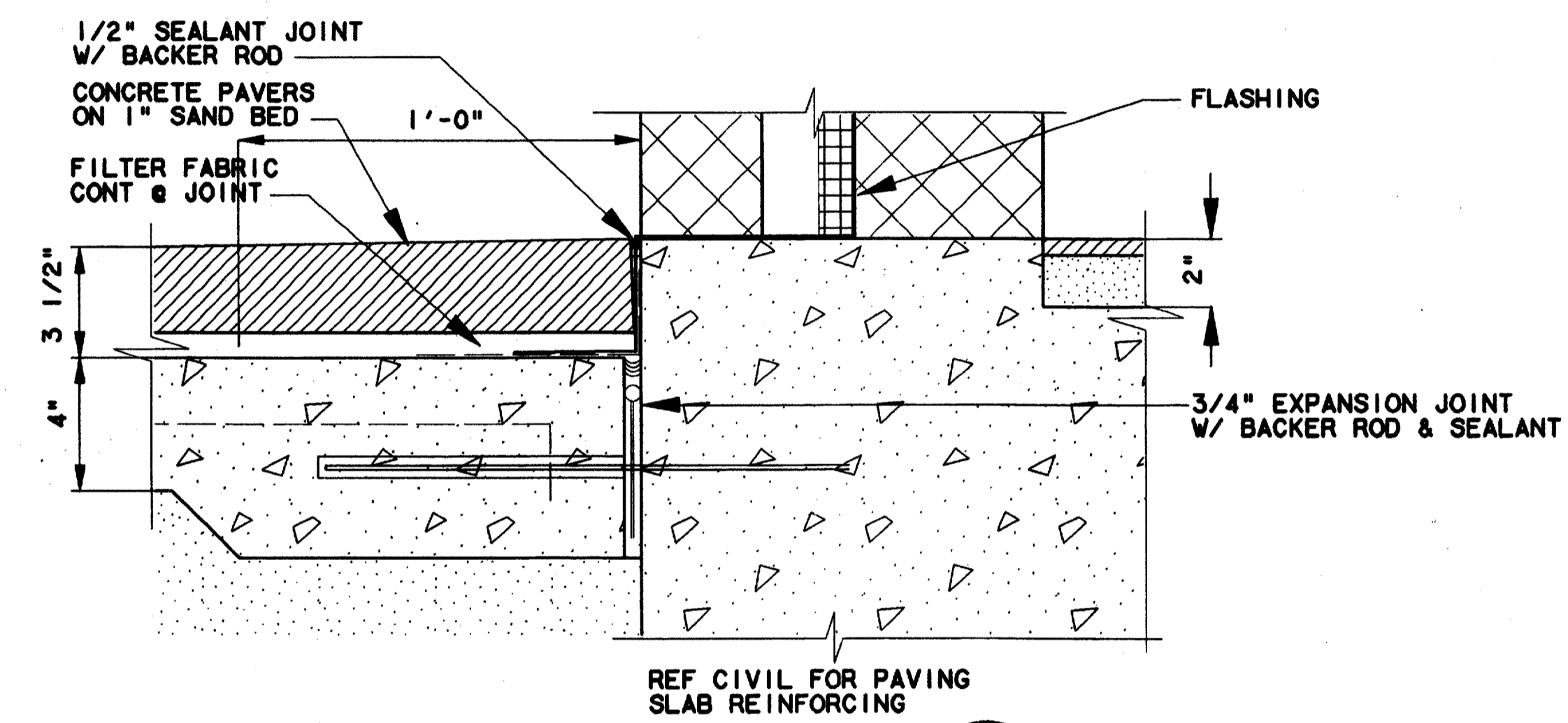
\$\$\$FILE2\$\$\$
 \$\$\$FILE3\$\$\$
 \$\$\$FILE4\$\$\$
 \$\$\$FILE5\$\$\$



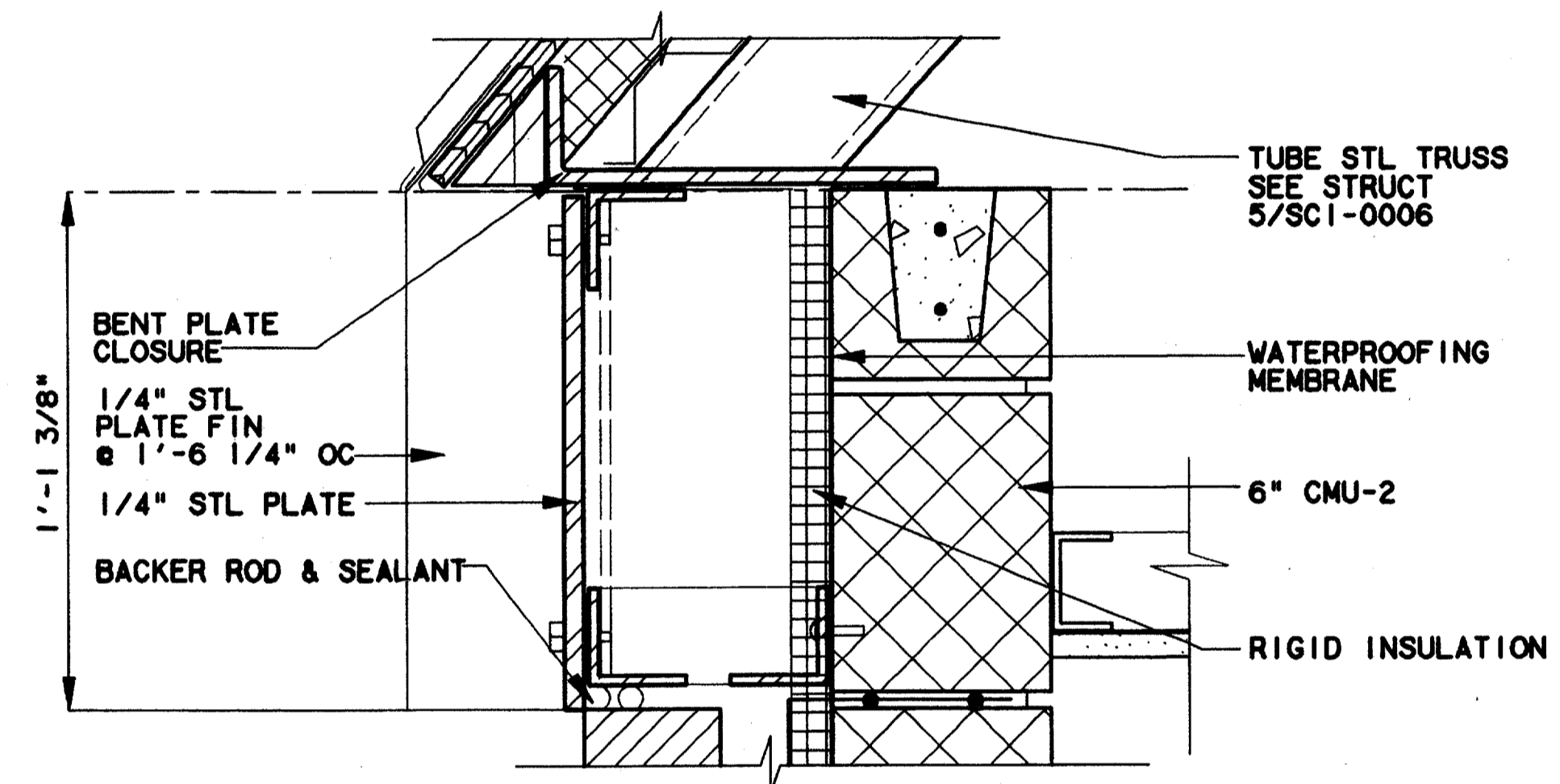
FASCIA PATTERN DETAIL 1
 SCALE: 3/4"=1'-0"
 AC2-0007



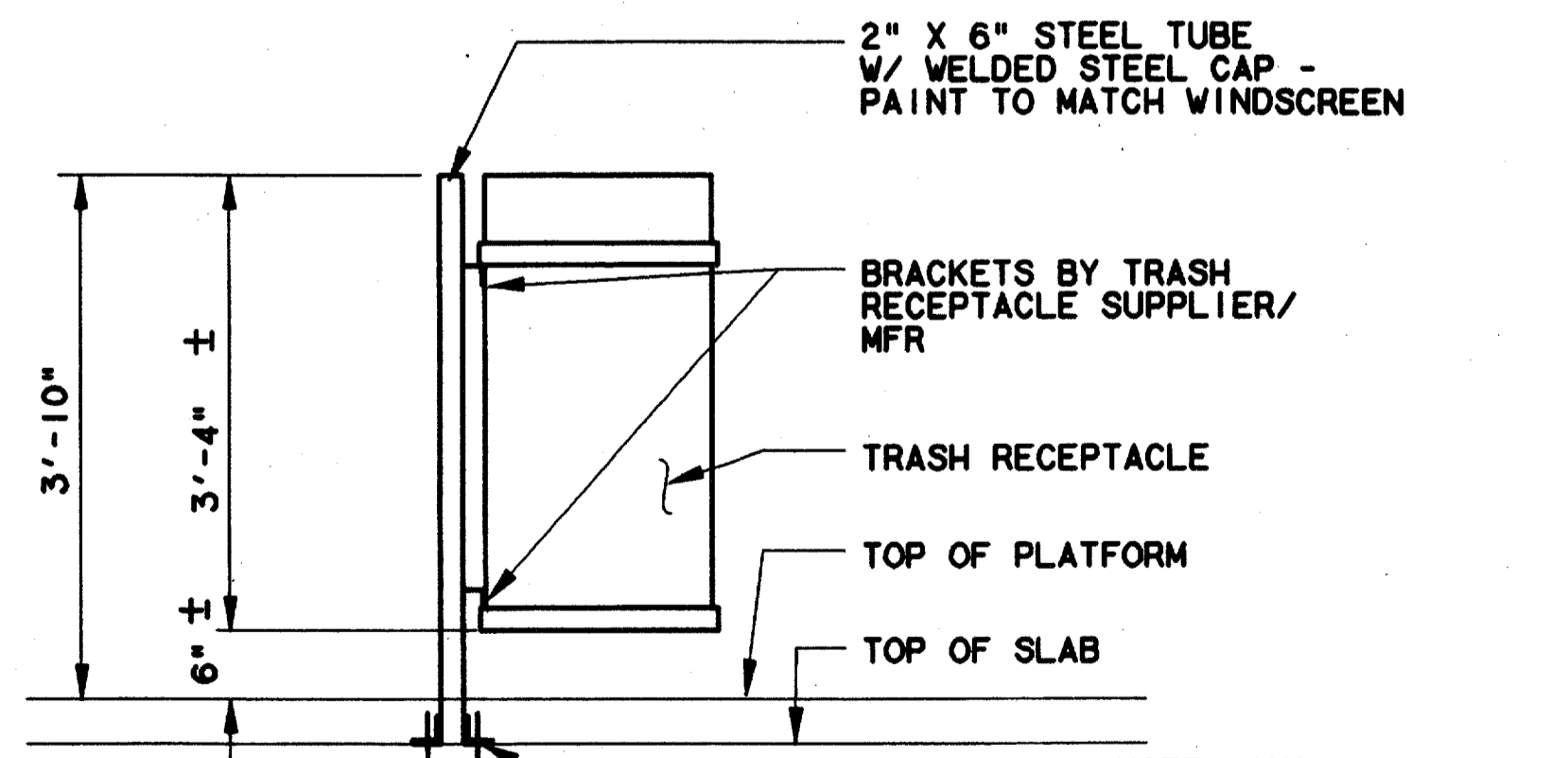
LIGHTING DETAIL 2
 SCALE: 3"=1'-0"
 AC2-0001



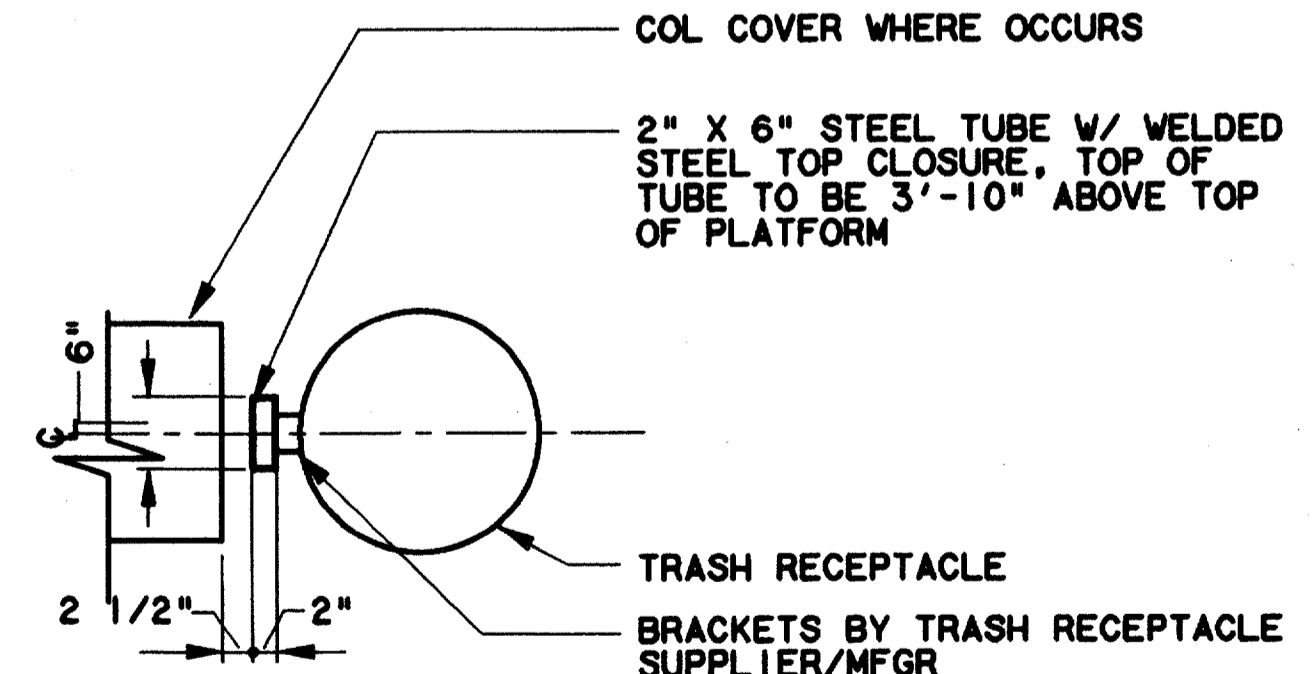
DETAIL 3
 SCALE: 3"=1'-0"
 AC2-0016



DETAIL 4
 SCALE: 3"=1'-0"
 AC2-0016

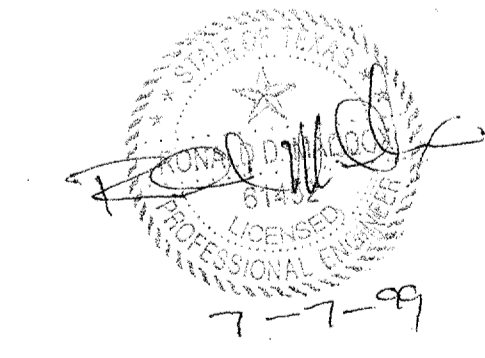


EXTERIOR TRASH RECEPTACLE ELEVATION 5
 SCALE: 3"=1'-0"
 NOTE: ANCHOR STEEL TUBE TO SLAB SIMILAR TO WINDSCREEN ATTACHMENT TO SLAB



EXTERIOR TRASH RECEPTACLE PLAN 6
 SCALE: 3"=1'-0"

Record (As-Built) Certificate
 Having checked this submission, we certify that it conforms to the requirements of the contract in all respects, except as otherwise indicated.
 Contract Number: 97000136
 Company Name: WLA
 Office of Firm Signature: [Signature]
 Date: 14 AUGUST 97
 Title of Official (Typed): TOM KADER, PRESIDENT
 Seal of Professional Engineer of Construction, including signature and date, shall be retained on record (as-built) drawings for accuracy of as-built condition reflected herein, must be placed below:



CONFORMED
 CONTRACT SHEET No. 67 OF 95

REV	DATE	DESCRIPTION	BY	ENG	CHK	APP	REV	DATE	DESCRIPTION	BY	ENG	CHK	APP
△							△						
△							△						
△							△						
△							△						
△							△						



L&N
 Lockwood, Andrews & Newnam, Inc.
 A SUBSIDIARY OF LEO A DALY

WLA
 WENDY LOPEZ & ASSOCIATES, INC.
 ENGINEERING • SURVEYING • CONSTRUCTION SERVICES
 303 MARKET CENTER BLVD - SUITE 510
 DALLAS, TEXAS 75201
 (214) 741-7777

DART PROJECT

SCALE: 1 1/2" = 1'-0"
 DRAWN: K. DEAN
 DESIGNED: N. INFANZON/K. DEAN
 CHECKED: N. INFANZON/RON BOLTON
 IN CHARGE: V. STEVENS
 DATE: 14 AUGUST 97

ADDISON TRANSIT CENTER
ENCLOSURE DETAILS

CONTRACT C-97000136 DWG No. AC2-0015 REV 0