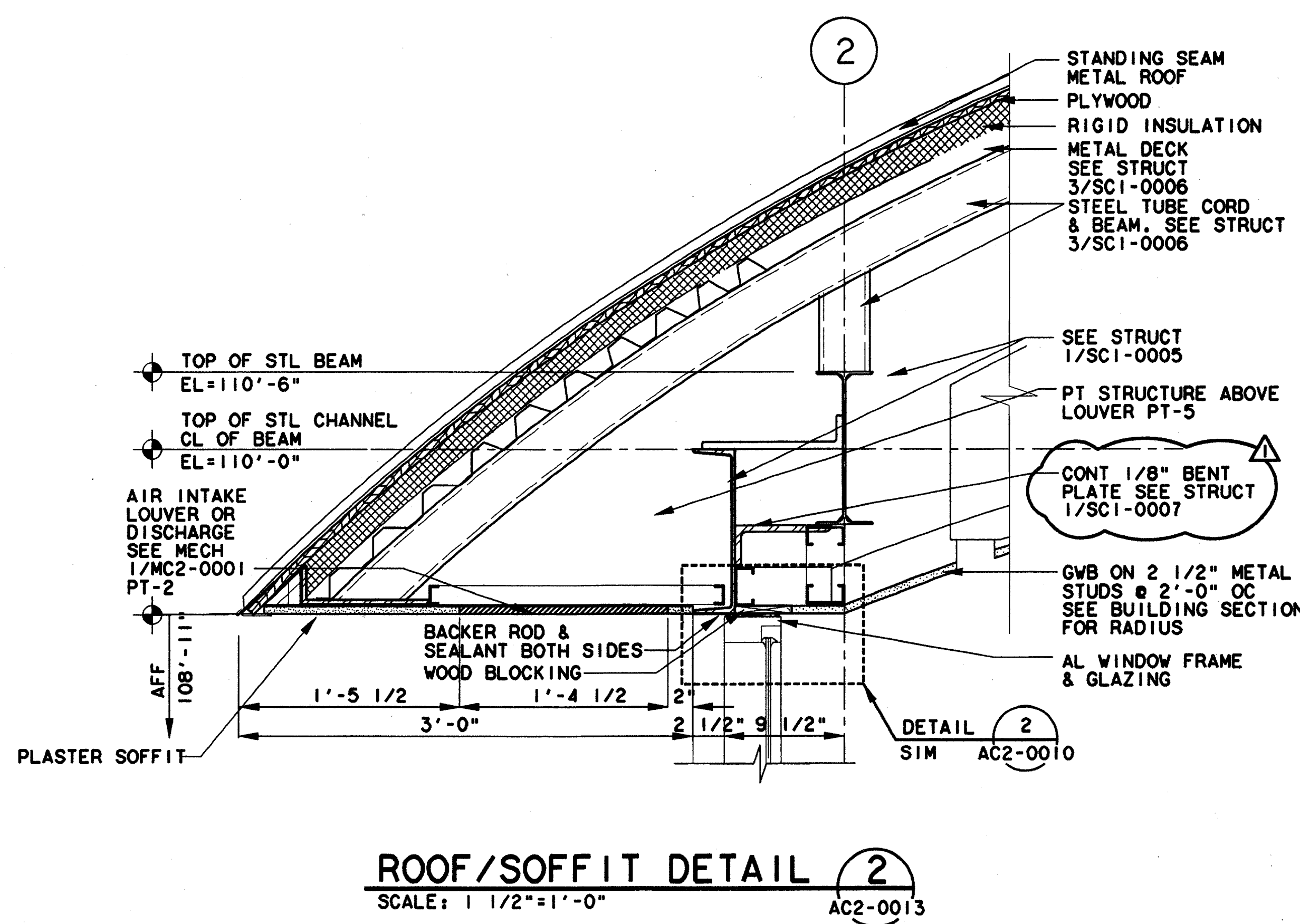
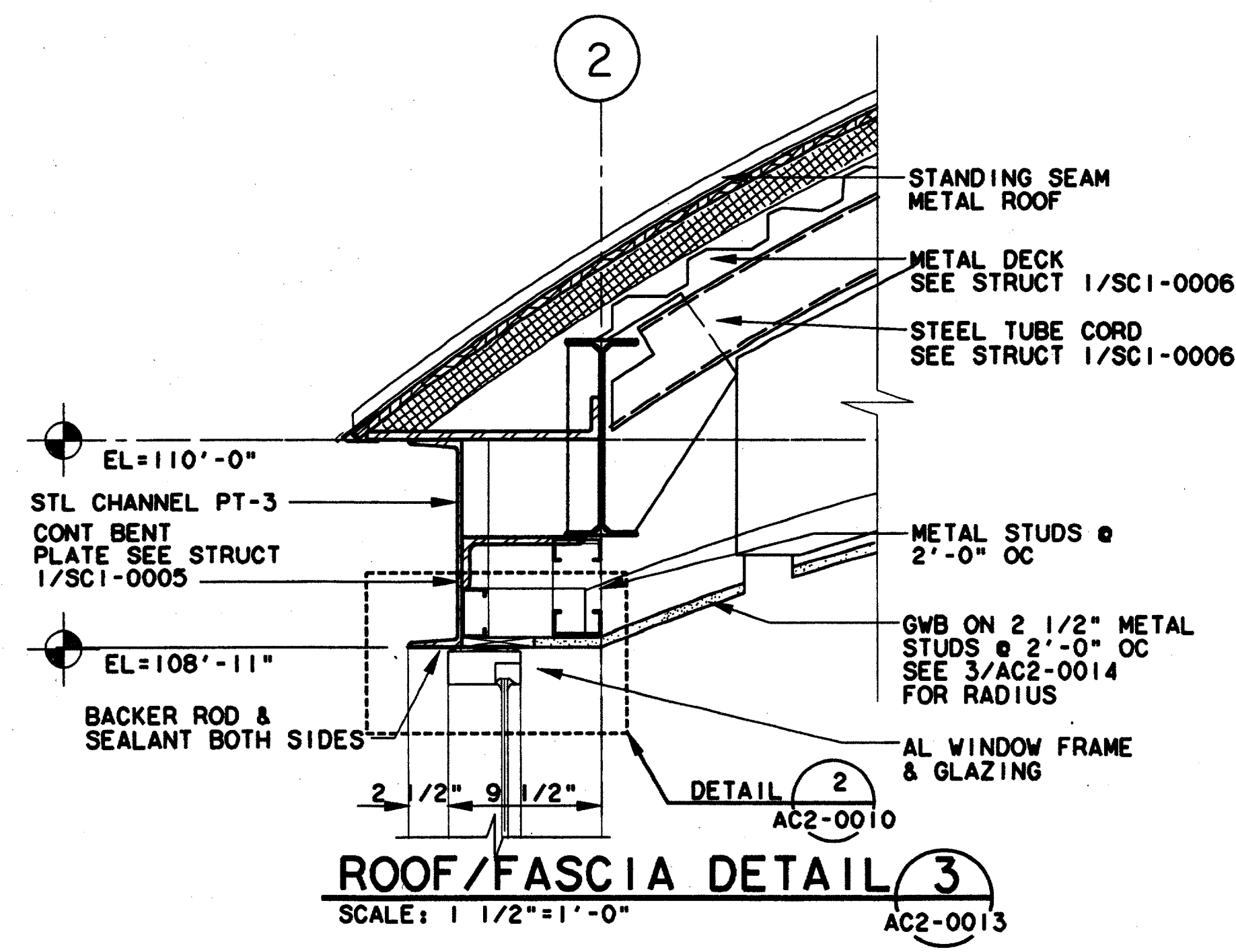


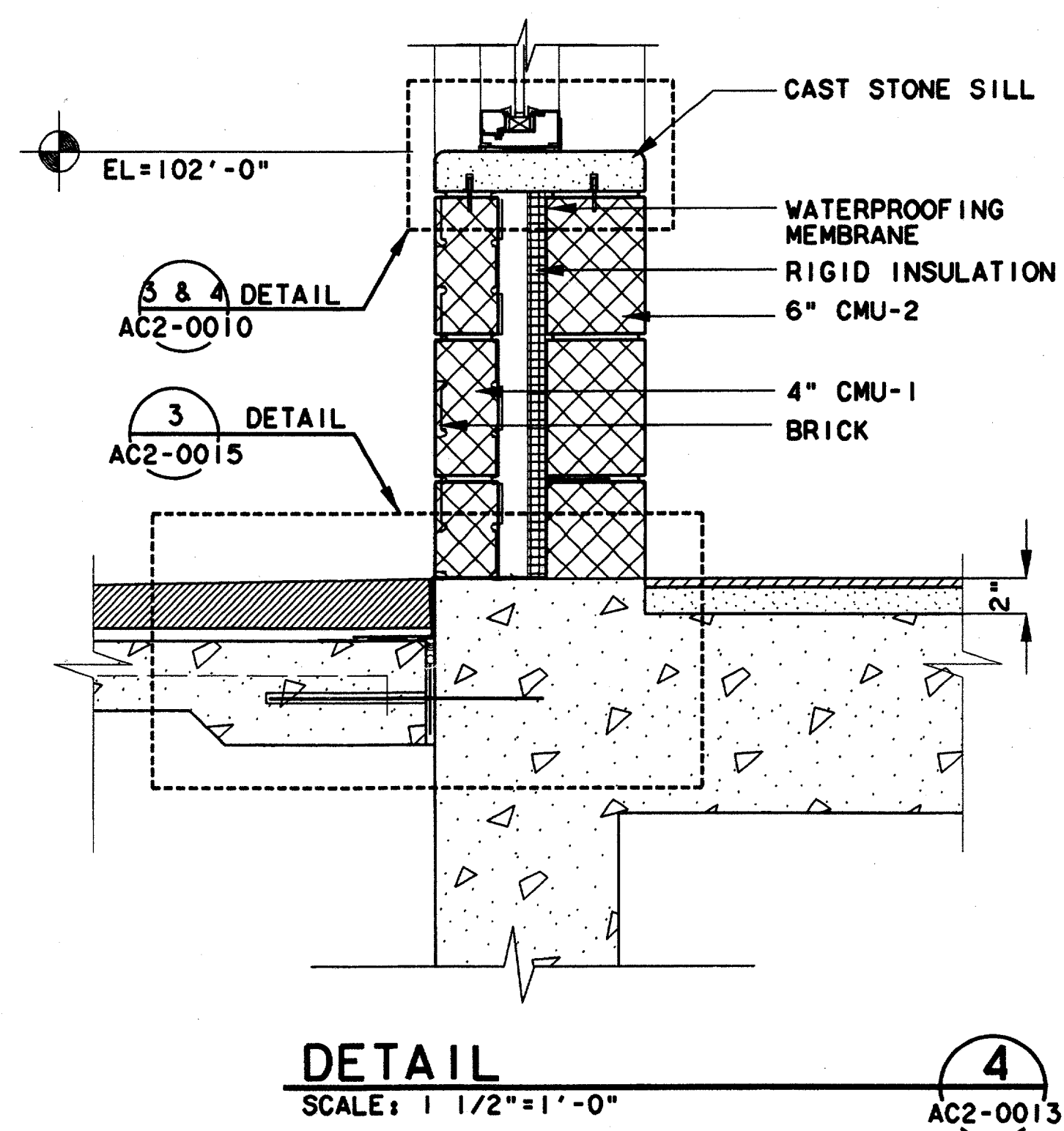
**ROOF/FASCIA DETAIL 1**  
SCALE: 1 1/2"=1'-0"  
AC2-0013



**ROOF/SOFFIT DETAIL 2**  
SCALE: 1 1/2"=1'-0"  
AC2-0013

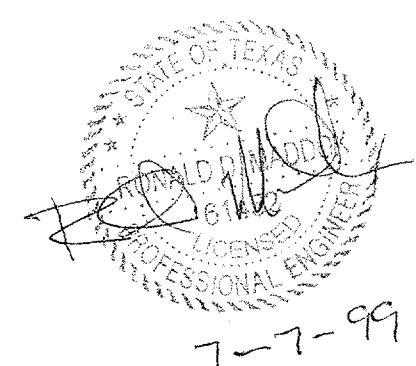


**ROOF/FASCIA DETAIL 3**  
SCALE: 1 1/2"=1'-0"  
AC2-0013



**DETAIL 4**  
SCALE: 1 1/2"=1'-0"  
AC2-0013

Record (As-built) Certification  
Having checked this submission, we certify that it conforms to the requirements of the contract in all respects, except as otherwise indicated.  
Contract Number: 97000136  
Company Name: WEAVER  
Officer of Firm Signature: [Signature]  
Date: 7-7-99  
Title of Officer (Typed): PRESIDENT  
Seal of Professional Engineer of Construction Government, including signature and date, transfer bearing record (as-built) drawings for accuracy of as-built conditions indicated herein, must be placed below:



**CONFORMED**

CONTRACT SHEET No. 68 OF 95

REV	DATE	DESCRIPTION	BY	ENG	CHK	APP	REV	DATE	DESCRIPTION	BY	ENG	CHK	APP
△	4/21/98	REVISE 1/2" TO 1/8"	DC	MS	TJS	NI							
△													
△													
△													
△													
△													

*Handwritten signature and date: [Signature] 4/21/98*

**lan**  
Lockwood, Andrews & Newnam, Inc.  
A subsidiary of LEO A DALY

**WLA**  
WENDY LOPEZ & ASSOCIATES, INC.  
ENGINEERING • SURVEYING • CONSTRUCTION SERVICES  
102 MARKET CENTER BLVD - SUITE 310  
DALLAS, TEXAS 75207  
(214) 745-7777

**DART PROJECT**

SCALE	1 1/2" = 1'-0"
DRAWN	
DESIGNED	
CHECKED	
IN CHARGE	V. STEVENS
DATE	AUG. 1997

**ADDISON TRANSIT CENTER**  
**ENCLOSURE DETAILS**

CAES CONTRACT C-97000136 DWG No. AC2-0016 REV 1