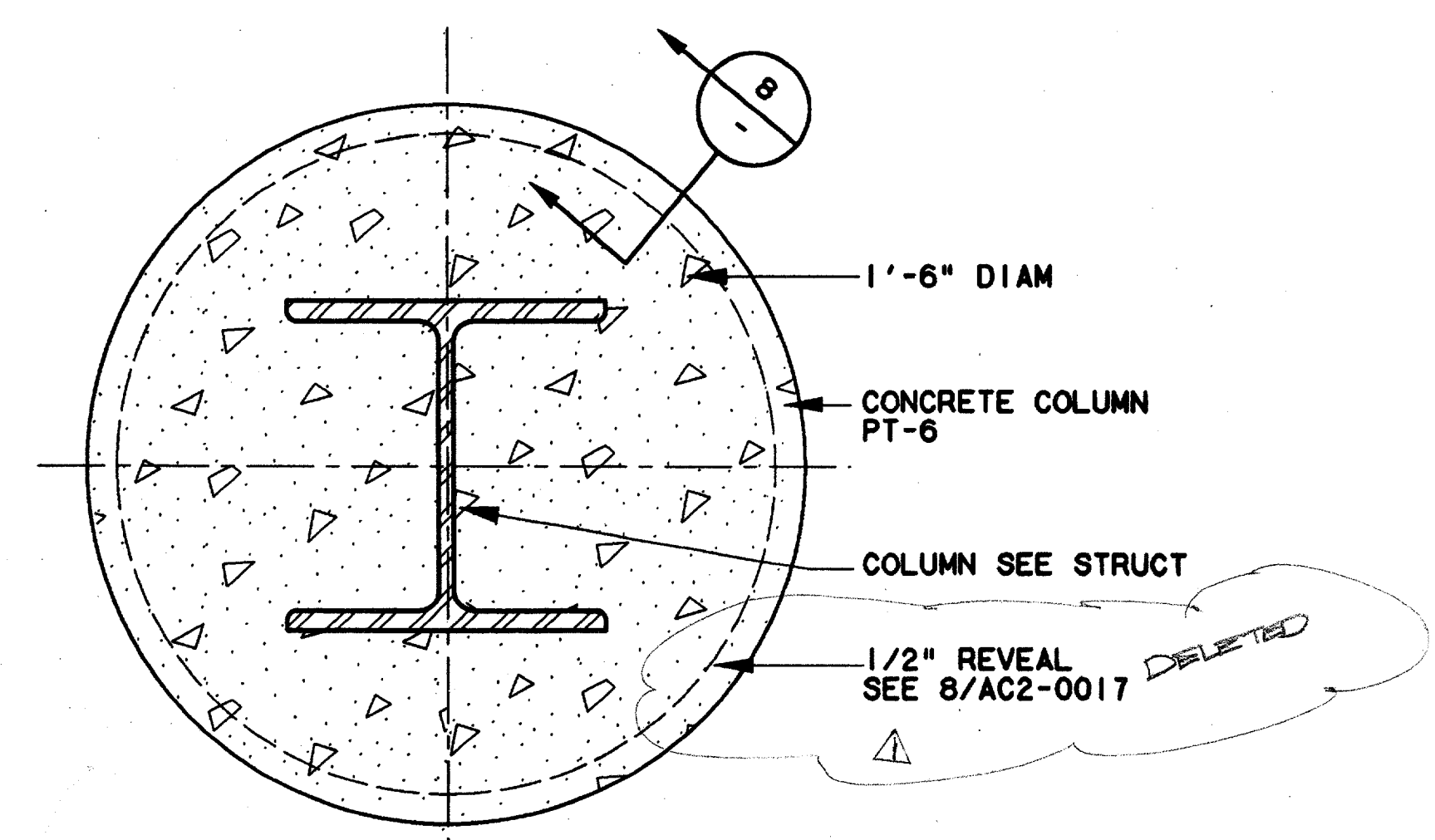
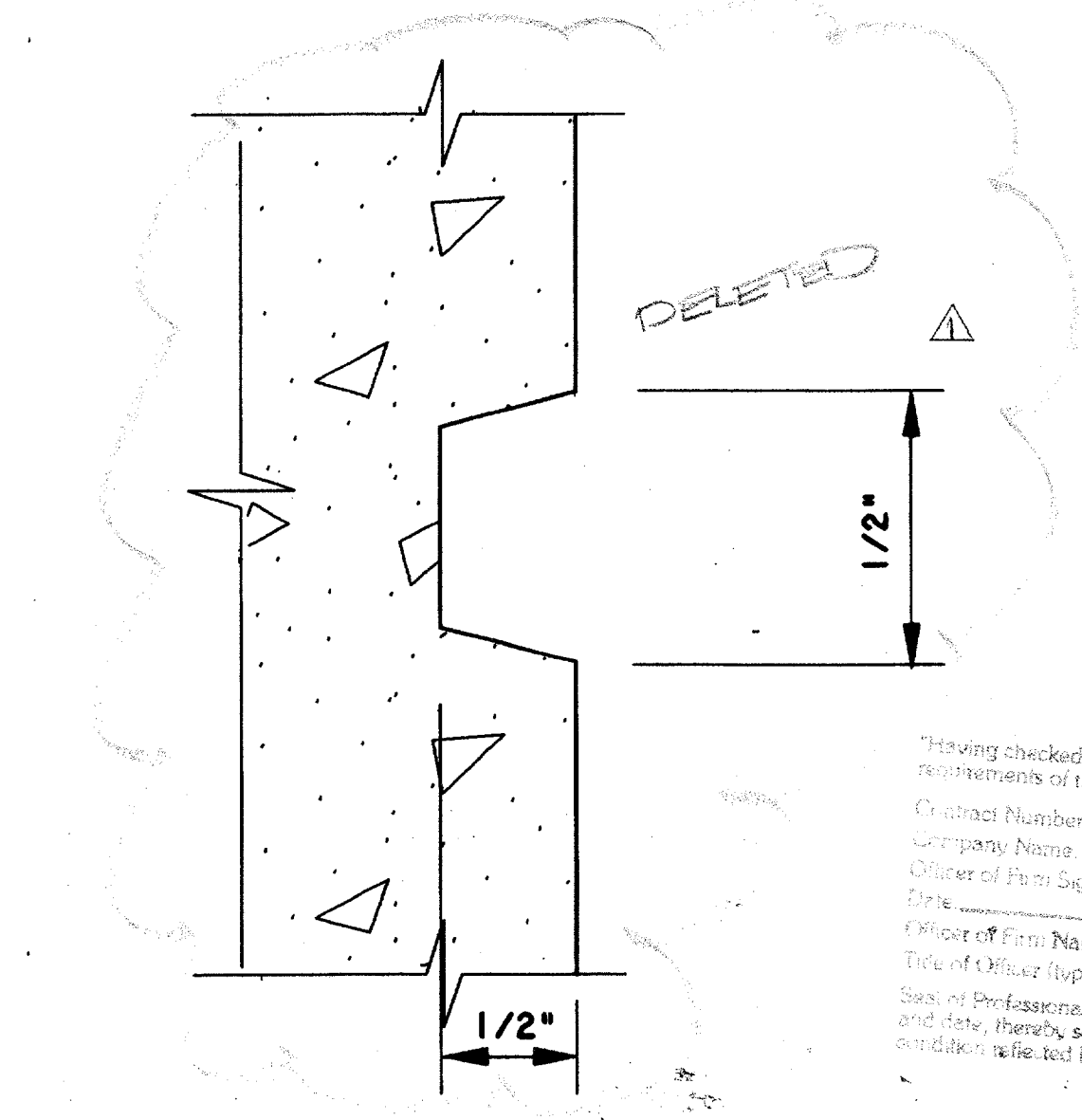
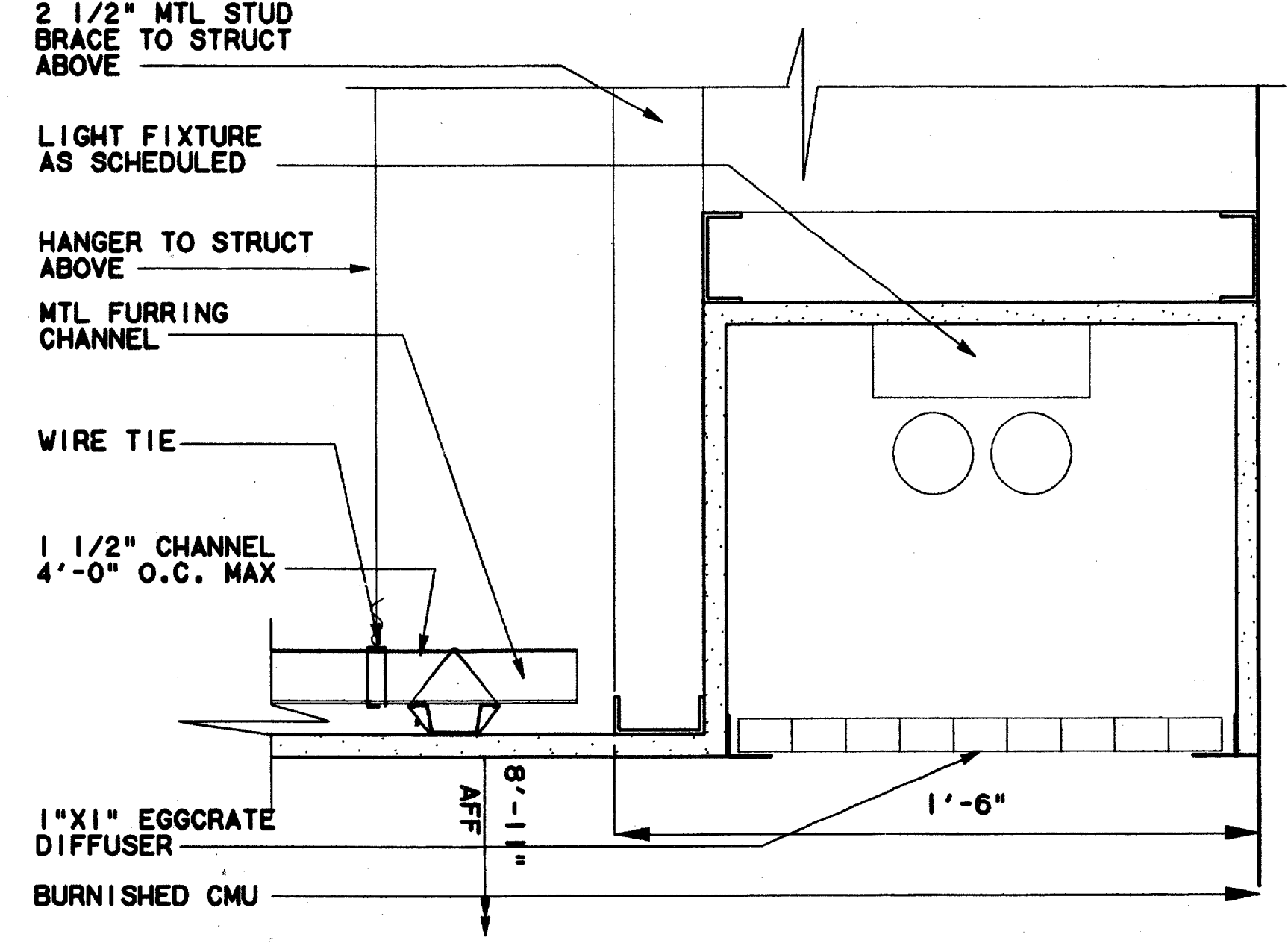
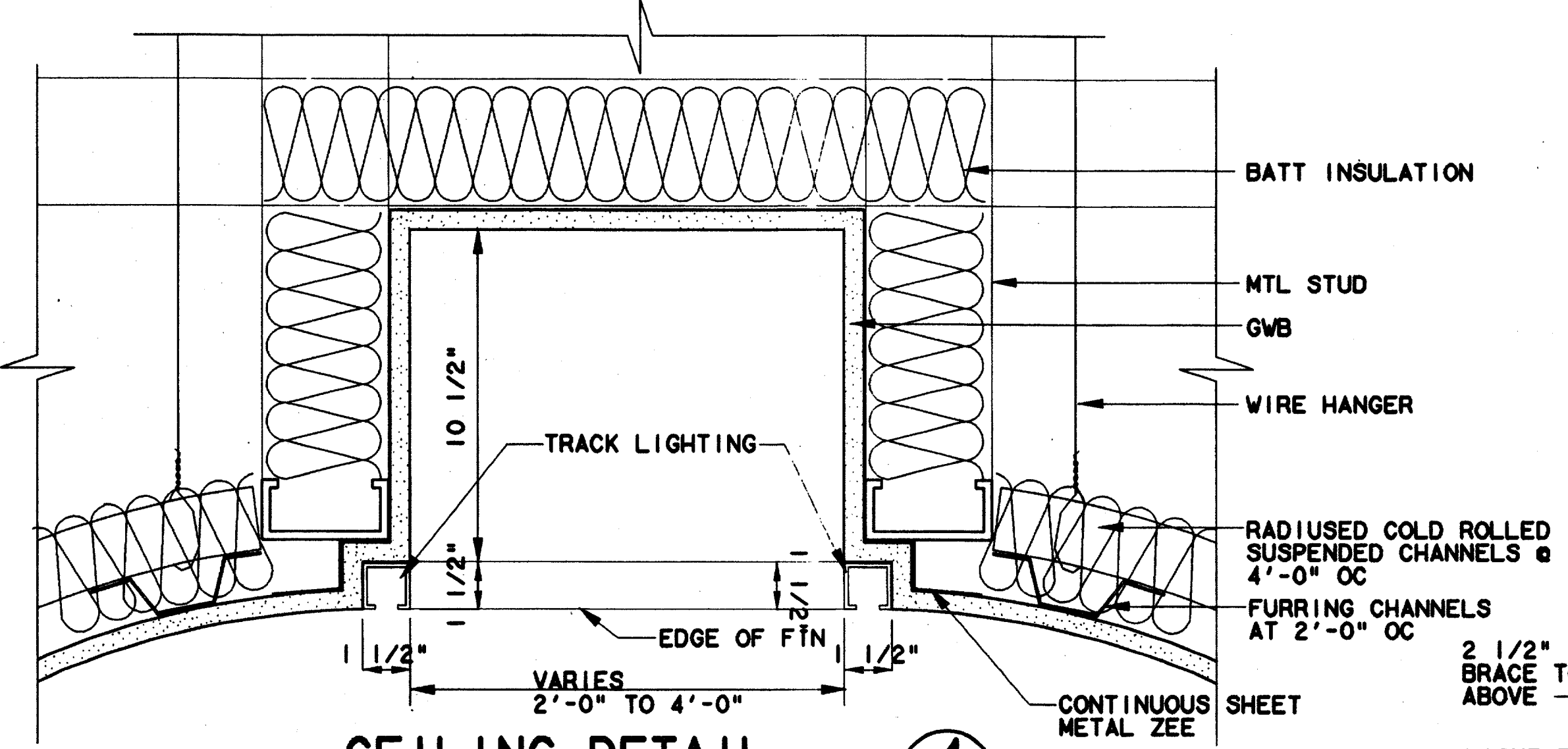
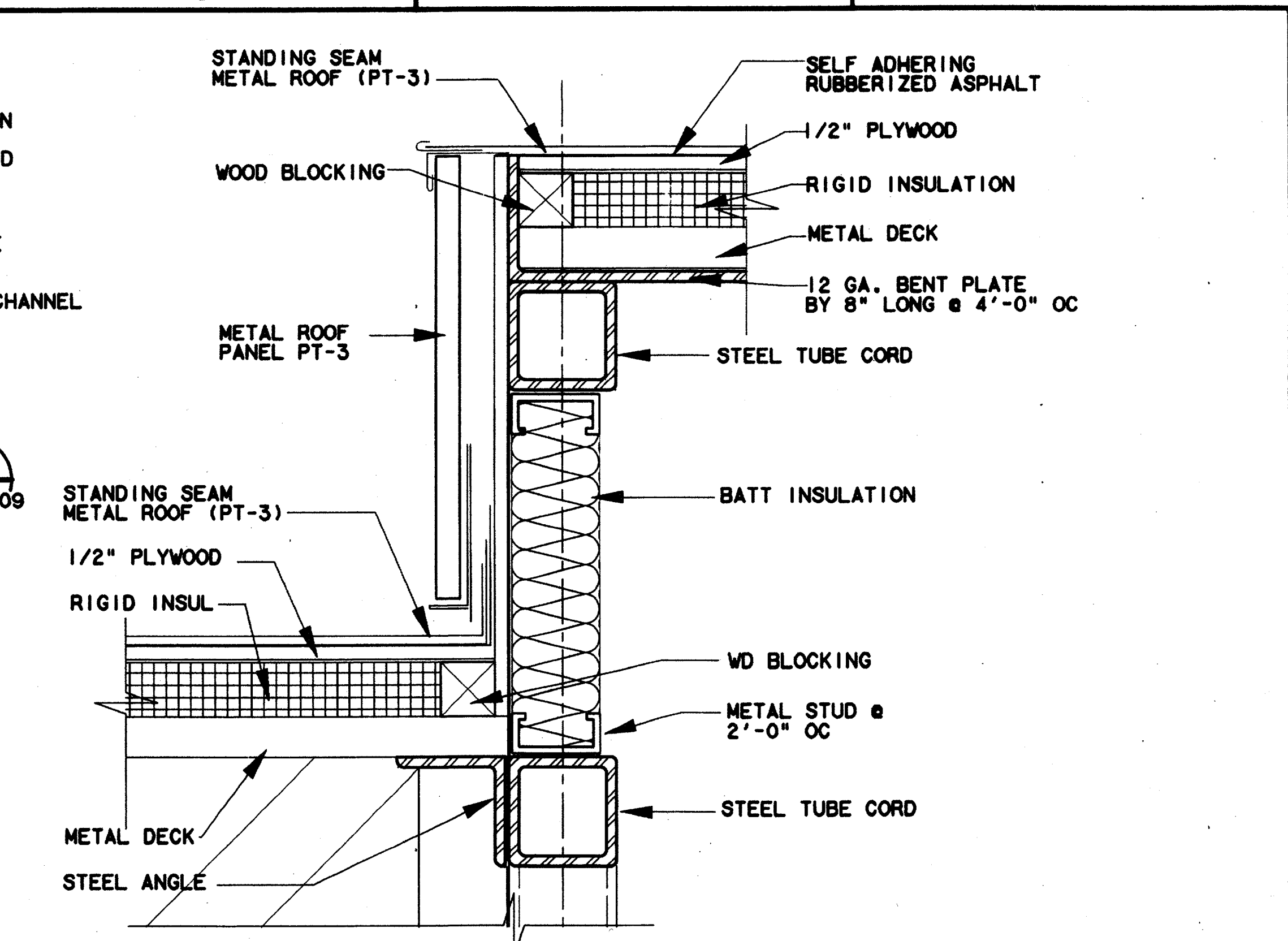
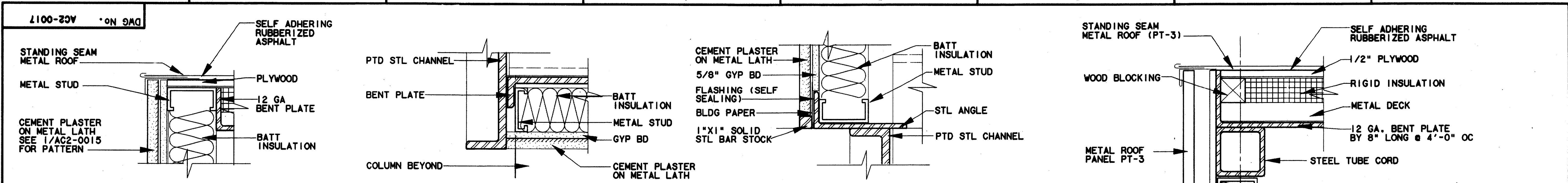


\$\$\$\$\$SPECIFICATION\$\$\$\$\$
 \$\$\$SYTIME\$\$\$\$\$
 \$\$\$PRF\$\$\$
 \$\$\$USERNAME\$\$\$

\$\$\$PRF ROT\$\$\$
 \$\$\$PEN\$\$\$

\$\$\$FILE6\$\$\$
 \$\$\$FILE7\$\$\$
 \$\$\$FILE8\$\$\$
 \$\$\$FILE9\$\$\$
 \$\$\$FILE10\$\$\$

\$\$\$FILE1\$\$\$
 \$\$\$FILE2\$\$\$
 \$\$\$FILE3\$\$\$
 \$\$\$FILE4\$\$\$
 \$\$\$FILE5\$\$\$



Record (As-Built) Location
 Having checked this submission, we certify that it is in accordance with the requirements of the contract in all respects, except as otherwise noted.
 Contract Number: 97000136
 Company Name: T&E DALCO
 Title of Firm Signatory: [Signature]
 Title of Firm Name (typed): TOM KADER
 Title of Office (typed): PRESIDENT
 Seal of Professional Engineer of Construction Contractor, including signature and date, thereby sealing record (as-built) drawings for accuracy of as-built condition. If the best benefit, must be placed on record.

CONFORMED

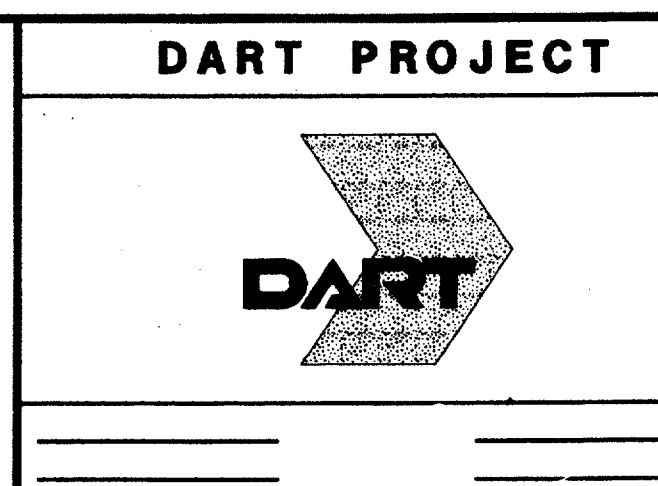
CONTRACT SHEET No. 69 OF 95

| REV | DATE | DESCRIPTION | BY | ENG | CHK | APP | REV | DATE | DESCRIPTION | BY | ENG | CHK | APP |
|-----|---------|----------------------------|-----|-----|-----|-----|-----|------|-------------|----|-----|-----|-----|
| 1 | 8/14/97 | Record As-Built Submission | RDW | JLM | | | | | | | | | |



LAN
 Lockwood, Andrews & Newnam, Inc.
 A SUBSIDIARY OF LEO A DALY

WLA
 WENDY LOPEZ & ASSOCIATES, INC.
 ENGINEERING • SURVEYING • CONSTRUCTION SERVICES
 305 MARKET CENTER BLVD - SUITE 300
 DALLAS, TEXAS 75207
 (214) 761-7777



SCALE VARIES
 DRAWN K. DEAN
 DESIGNED N. INFANZON/K. DEAN
 CHECKED N. INFANZON/RON BOLTON
 IN CHARGE V. STEVENS
 DATE 14 AUGUST 97

ADDISON TRANSIT CENTER ENCLOSURE DETAILS

CONTRACT C-97000136 DWG No. AC2-0017 REV 01