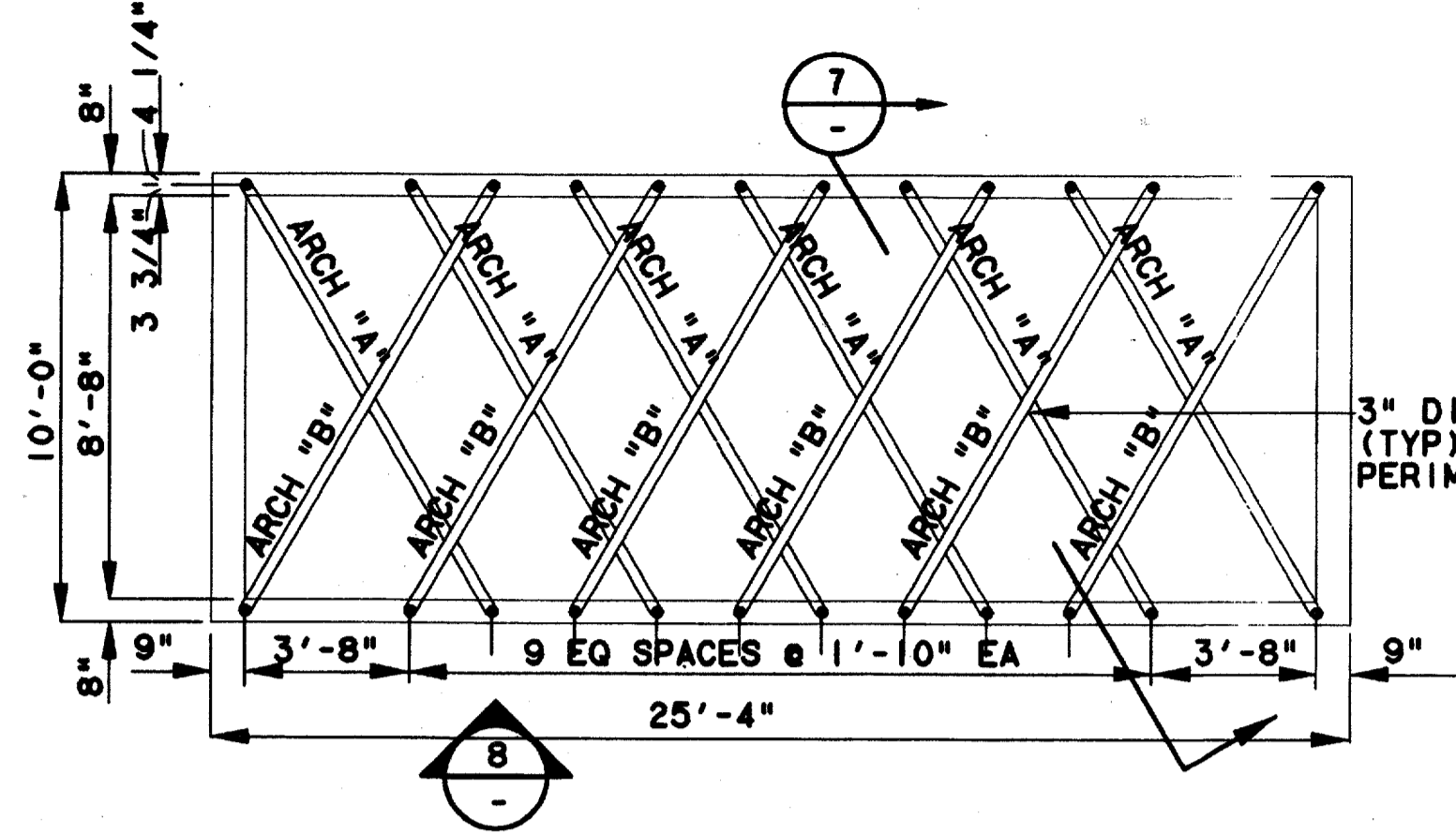
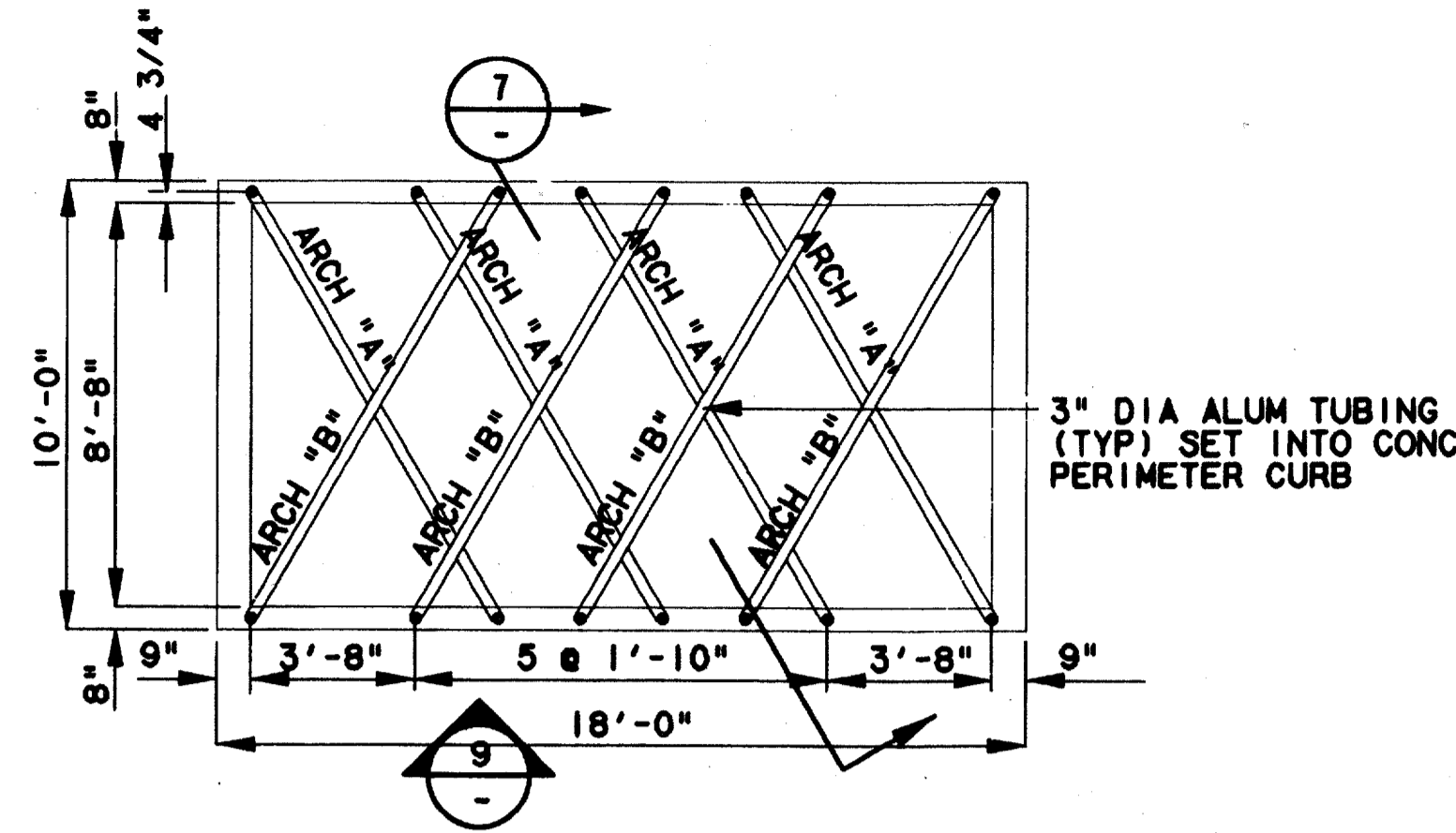


\$\$\$DGN SPECIFICATION\$\$\$\$\$\$
 \$\$\$SYTIME\$\$\$\$\$\$
 \$\$\$PRF\$\$\$
 \$\$\$USERNAME\$\$\$
 \$\$\$PRF ROT\$\$\$
 \$\$\$PEN\$\$\$
 \$\$\$FILE6\$\$\$
 \$\$\$FILE7\$\$\$
 \$\$\$FILE8\$\$\$
 \$\$\$FILE9\$\$\$
 \$\$\$FILE10\$\$\$
 \$\$\$FILE1\$\$\$
 \$\$\$FILE2\$\$\$
 \$\$\$FILE3\$\$\$
 \$\$\$FILE4\$\$\$
 \$\$\$FILE5\$\$\$

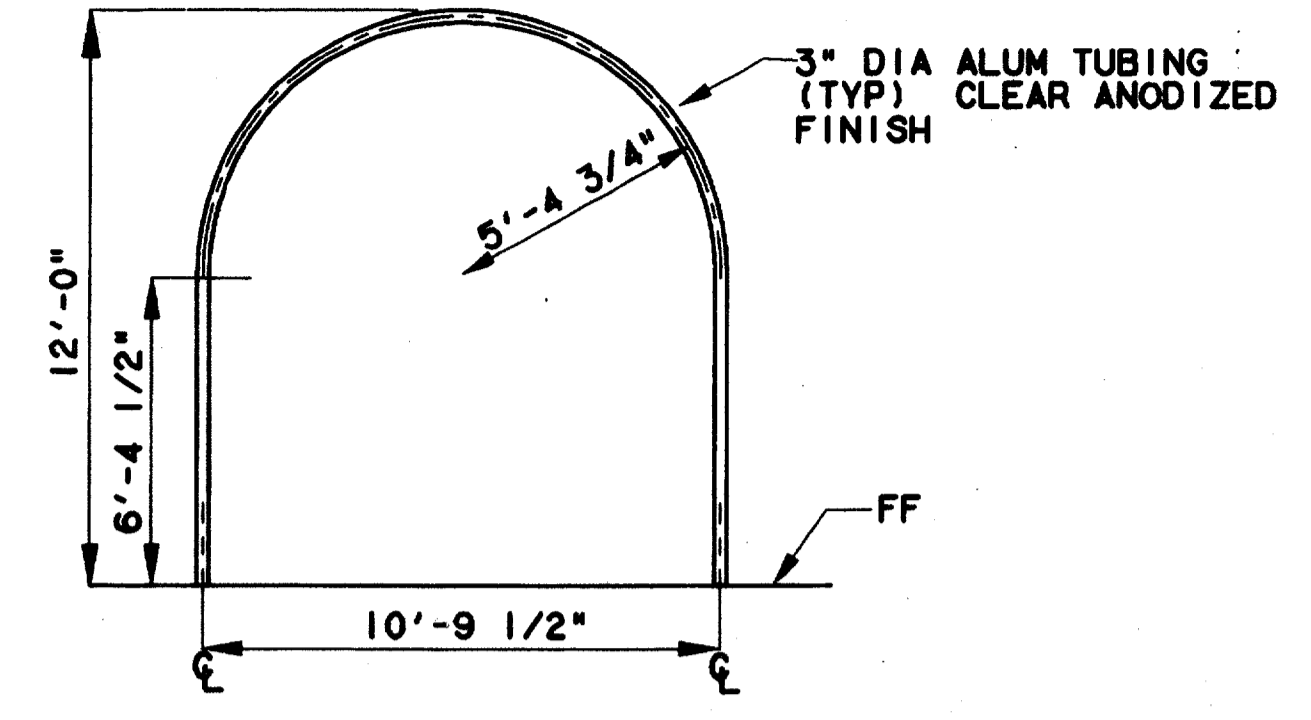
2000-63V
ON GMD



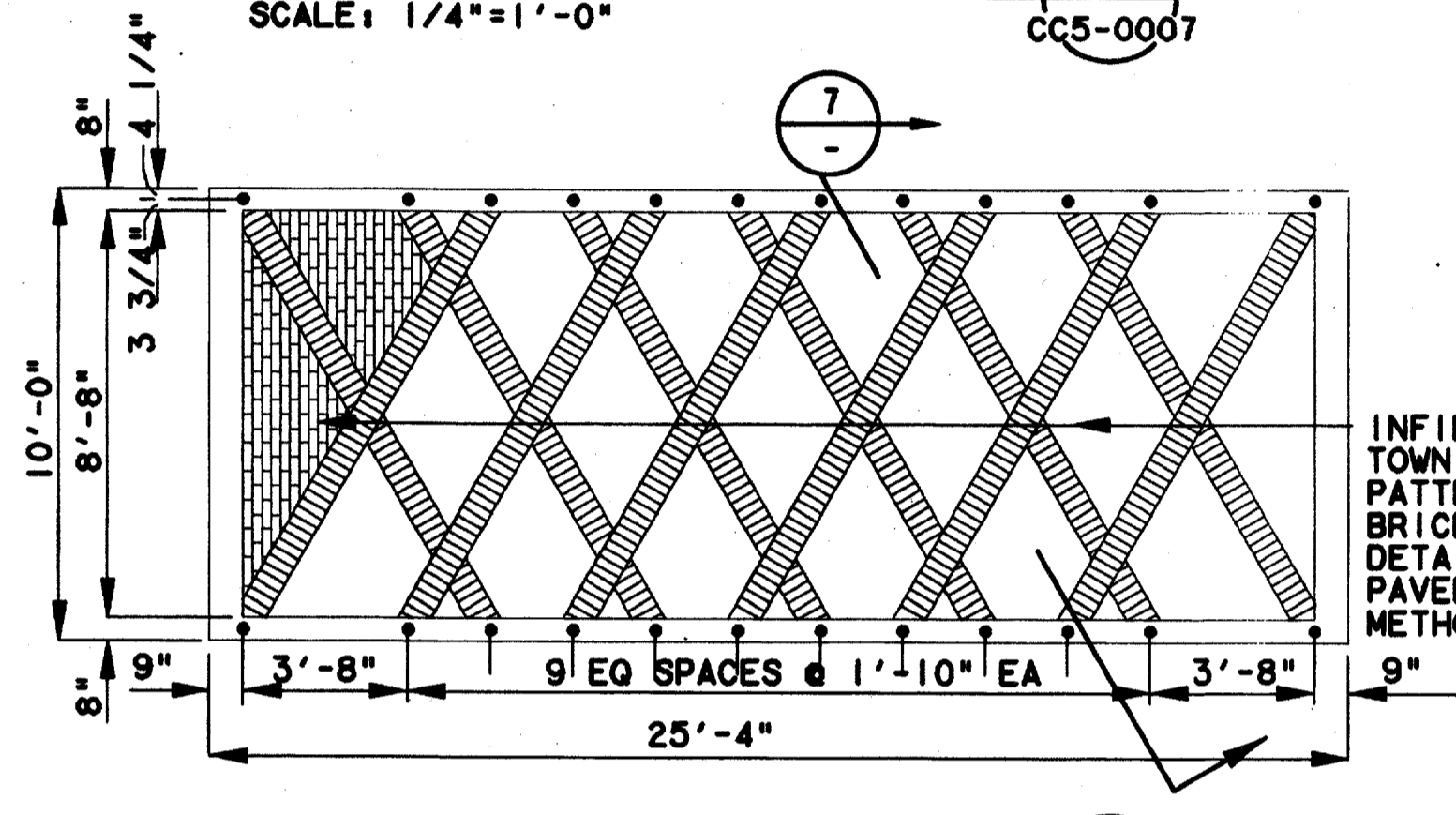
LARGE ARBOR PLAN
SCALE: 1/4"=1'-0"
CC5-0007



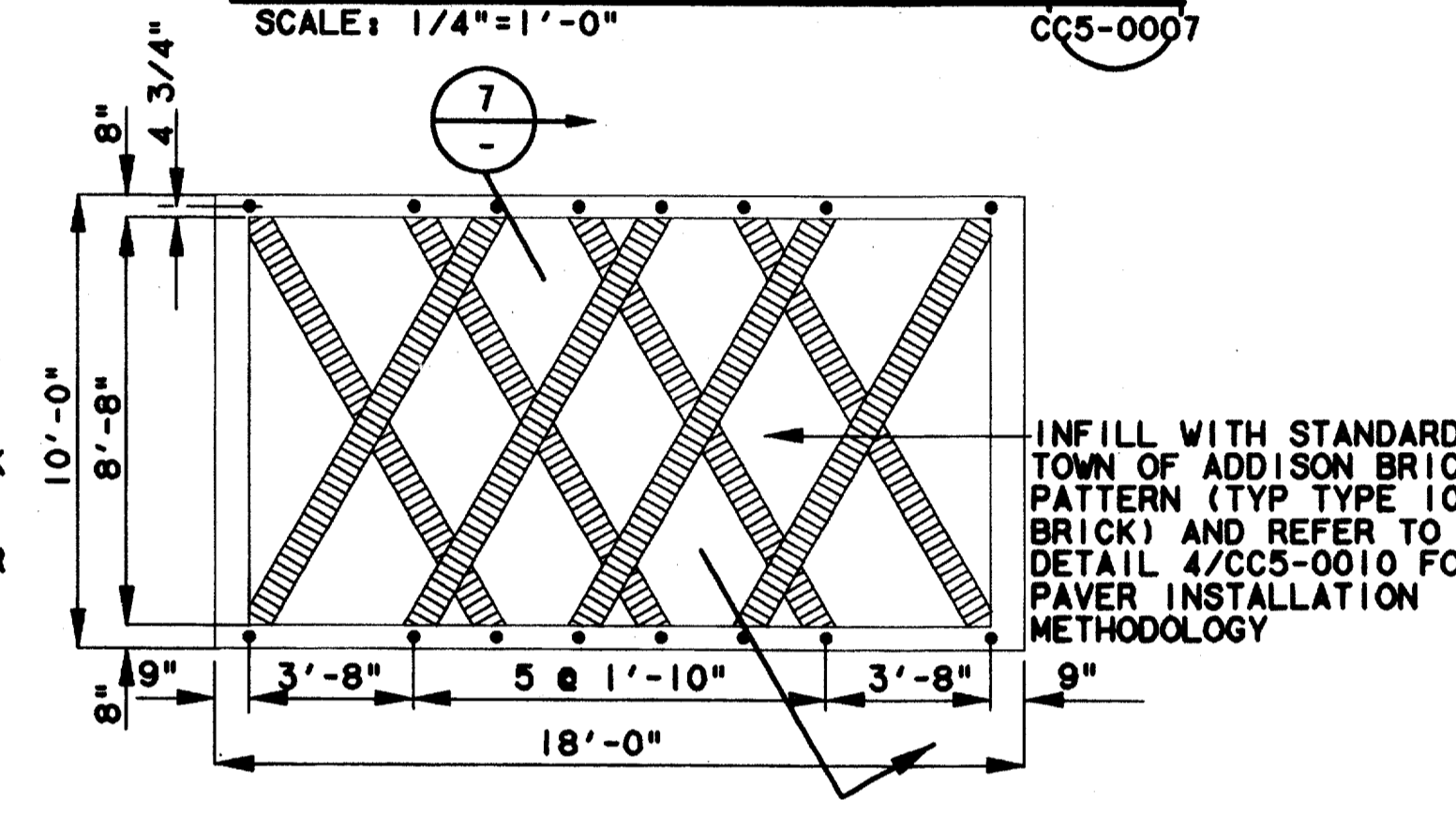
SMALL ARBOR PLAN
SCALE: 1/4"=1'-0"
CC5-0007



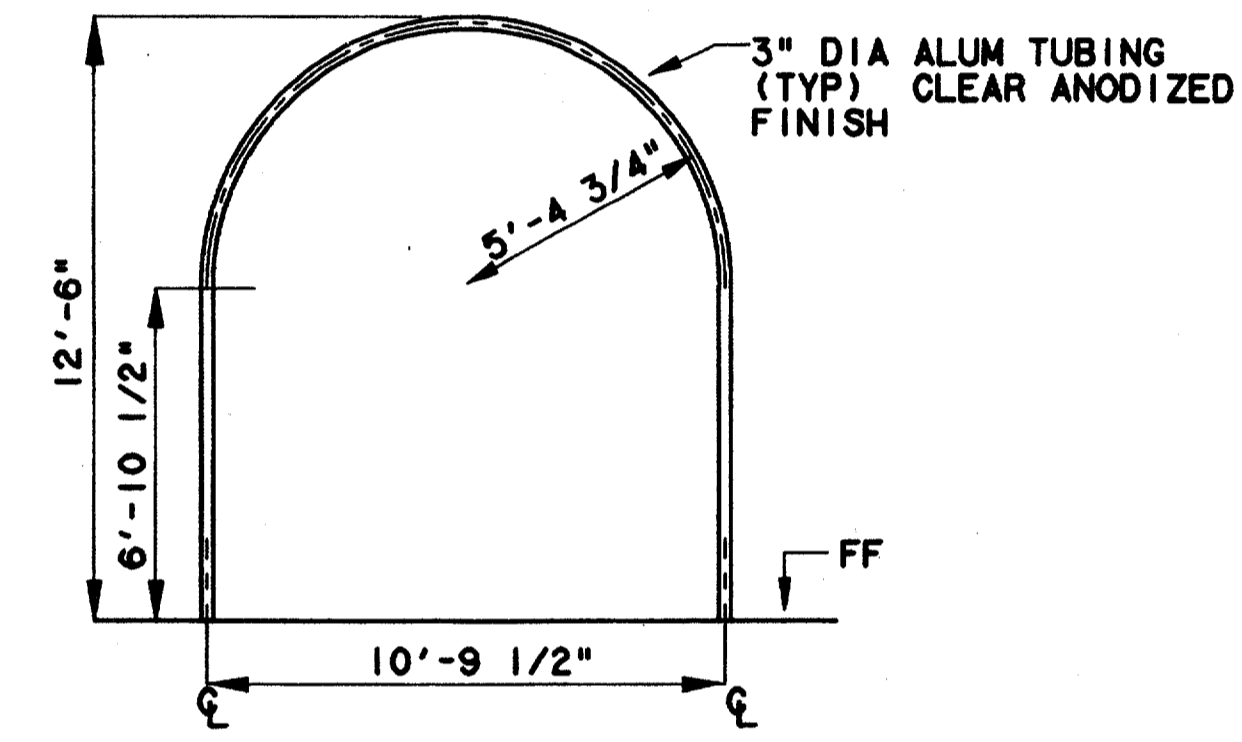
ARCH "A" ELEVATION
SCALE: 1/4"=1'-0"



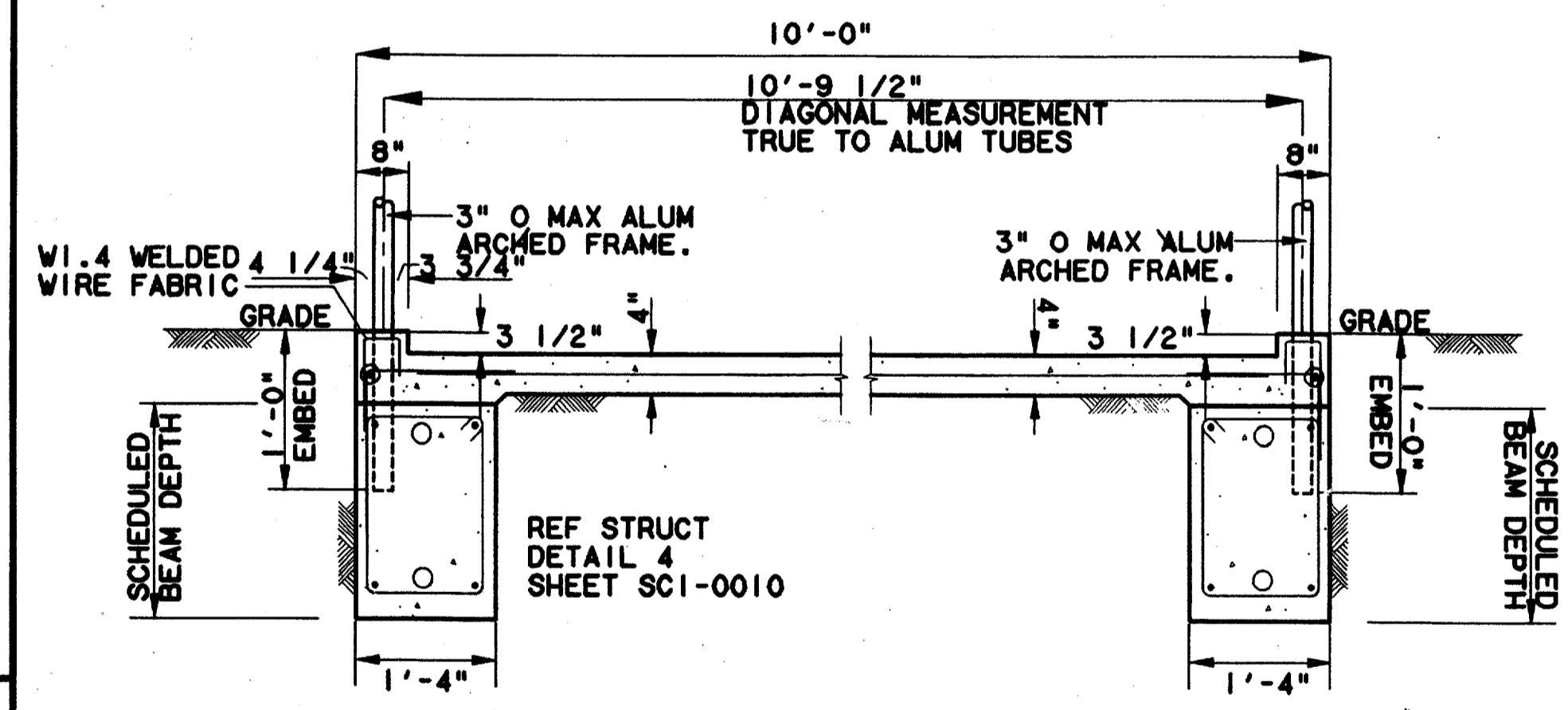
LARGE PAVING PLAN
SCALE: 1/4"=1'-0"



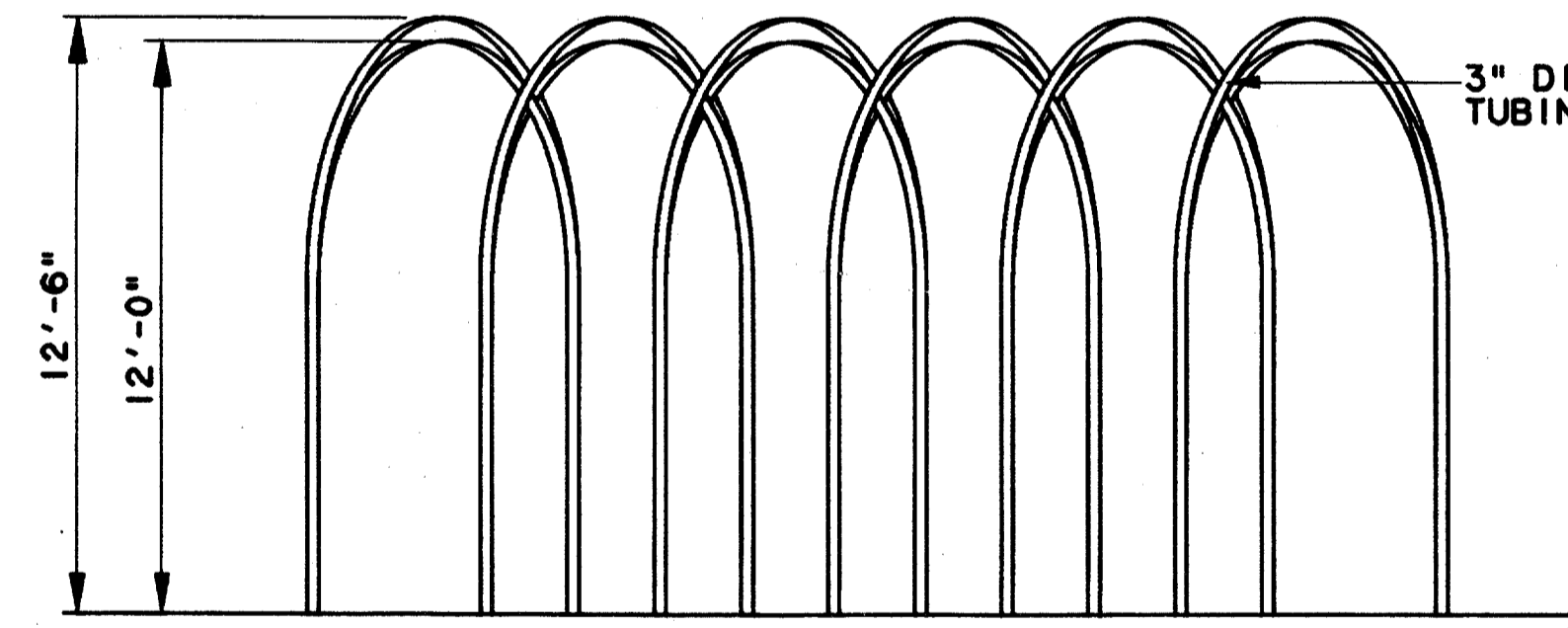
SMALL PAVING PLAN
SCALE: 1/4"=1'-0"



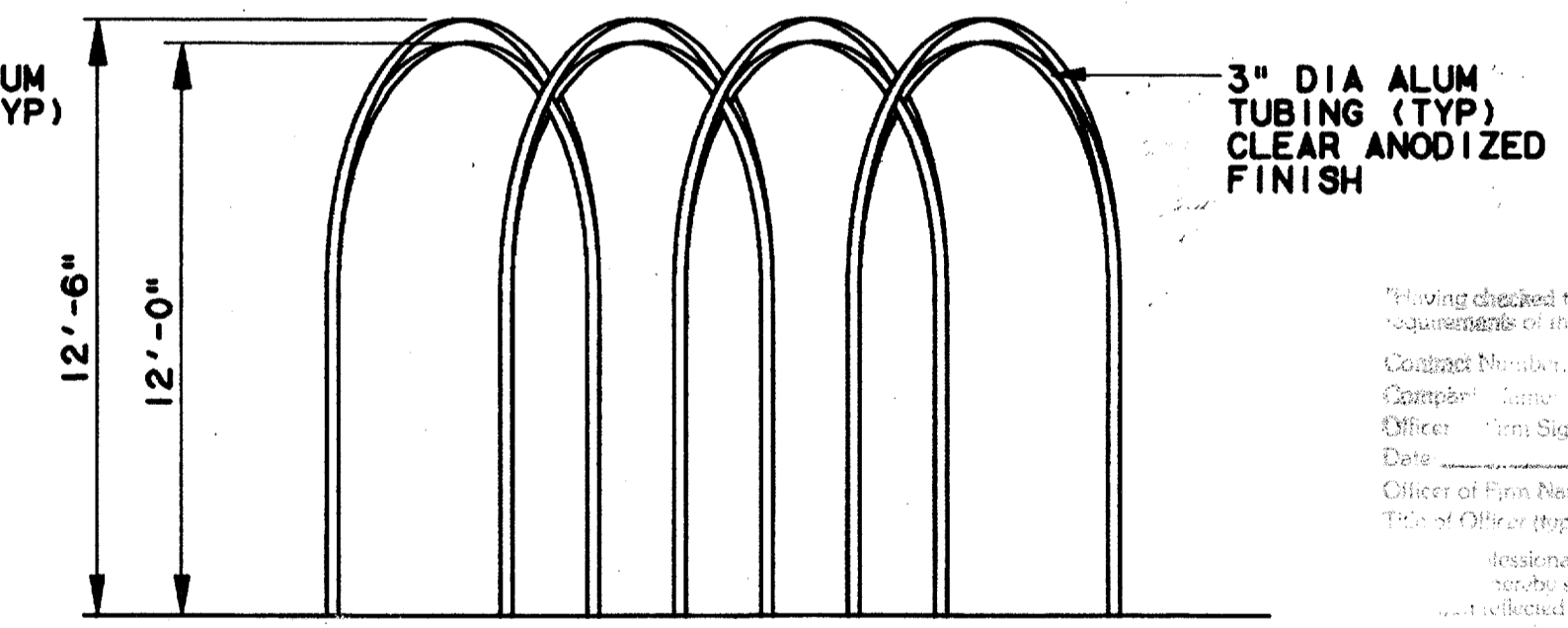
ARCH "B" ELEVATION
SCALE: 1/4"=1'-0"



ARBOR SUPPORT DETAIL
SCALE: 1/2"=1'-0"



LARGE SIDE ELEVATION
SCALE: 1/4"=1'-0"



SMALL SIDE ELEVATION
SCALE: 1/4"=1'-0"

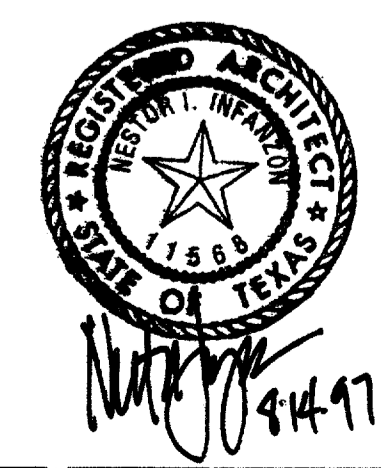
Record (As-Built) Certification
 Following checked this drawing against the field conditions and all requirements of the contract documents.
 Contract Number: 97000136
 Completed: [Signature]
 Date: [Signature]
 Officer of Firm Name (Typed): TOM KADER
 Title of Officer (Typed): PRESIDENT
 I, the undersigned, being a duly Licensed Professional Engineer in the State of Texas, do hereby certify that the above is a true and correct copy of the original drawing as filed in my office.

8-7-99

CONFORMED

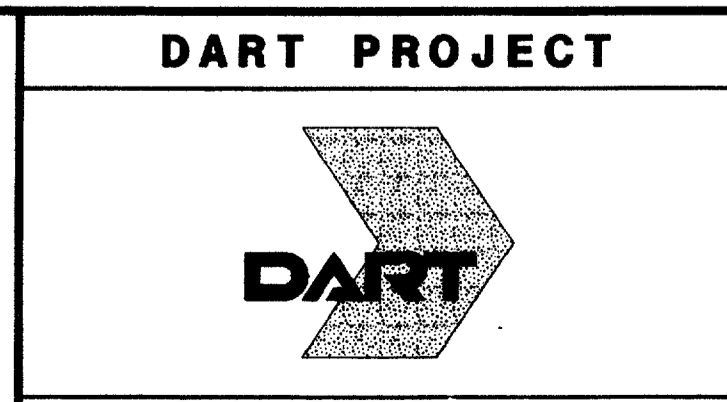
CONTRACT SHEET No. 71 OF 95

REV	DATE	DESCRIPTION	BY	ENG	CHK	APP	REV	DATE	DESCRIPTION	BY	ENG	CHK	APP



lan
 Lockwood, Andrews & Newnam, Inc.
 A SUBSIDIARY OF LEO A DALY

WLA
 WENDY LOPEZ & ASSOCIATES, INC.
 ENGINEERING • SURVEYING • CONSTRUCTION SERVICES
 1825 MARKET CENTER BLVD - SUITE 510
 DALLAS, TEXAS 75207
 (214) 741-7777



SCALE: 1/4"=1'-0"
 DRAWN: K. DEAN
 DESIGNED: N. INFANZON/K. DEAN
 CHECKED: N. INFANZON/RON BOLTON
 IN CHARGE: V. STEVENS
 DATE: 14 AUGUST 97

ADDISON TRANSIT CENTER
ARBOR PLANS & ELEVATIONS

CONTRACT C-97000136
 DWG No. AC9-0002
 REV 0