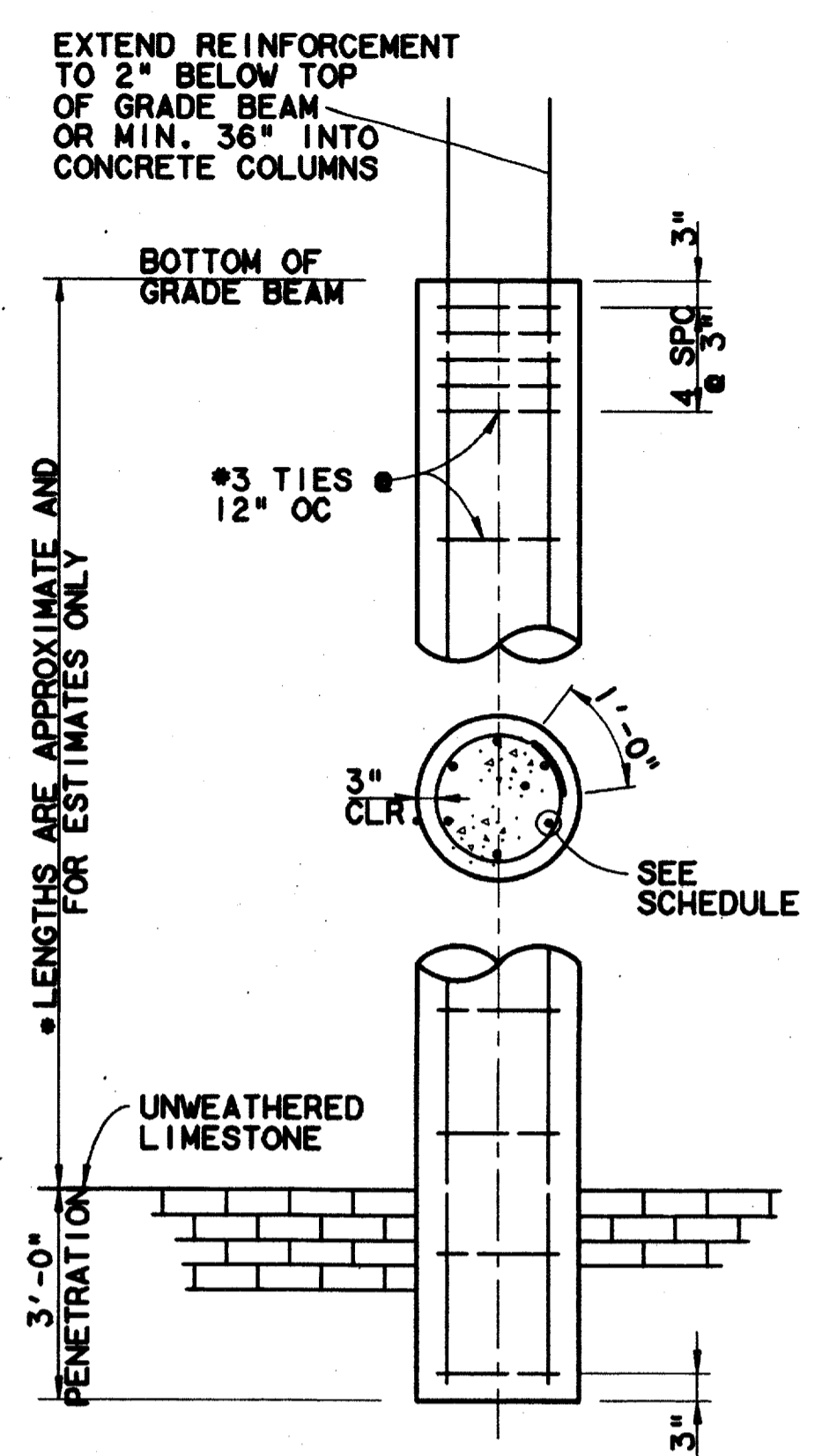


\$\$\$DGN\$\$\$SPECIFICATION\$\$\$  
 \$\$\$SYTIME\$\$\$  
 \$\$\$PRF\$\$\$  
 \$\$\$SERNAME\$\$\$  
 \$\$\$PRF ROT\$\$\$  
 \$\$\$PEN\$\$\$  
 \$\$\$ILE6\$\$\$  
 \$\$\$ILE7\$\$\$  
 \$\$\$ILE8\$\$\$  
 \$\$\$ILE9\$\$\$  
 \$\$\$ILE10\$\$\$  
 \$\$\$ILE11\$\$\$  
 \$\$\$ILE12\$\$\$  
 \$\$\$ILE13\$\$\$  
 \$\$\$ILE14\$\$\$  
 \$\$\$ILE15\$\$\$

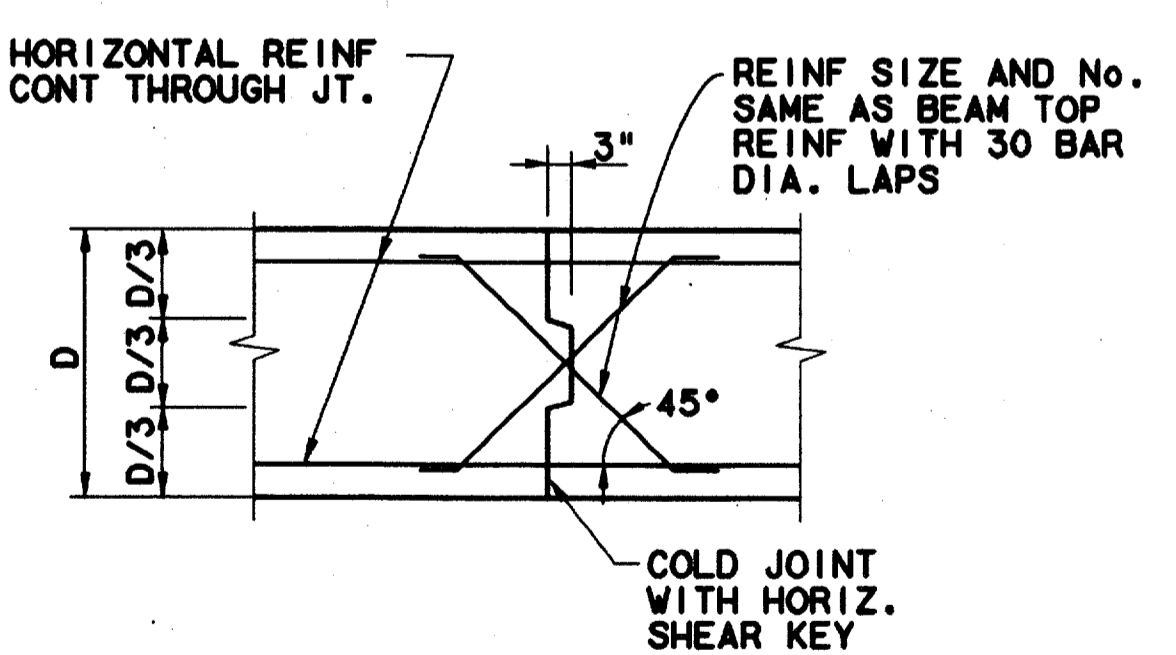
7000-136 ON 9AD



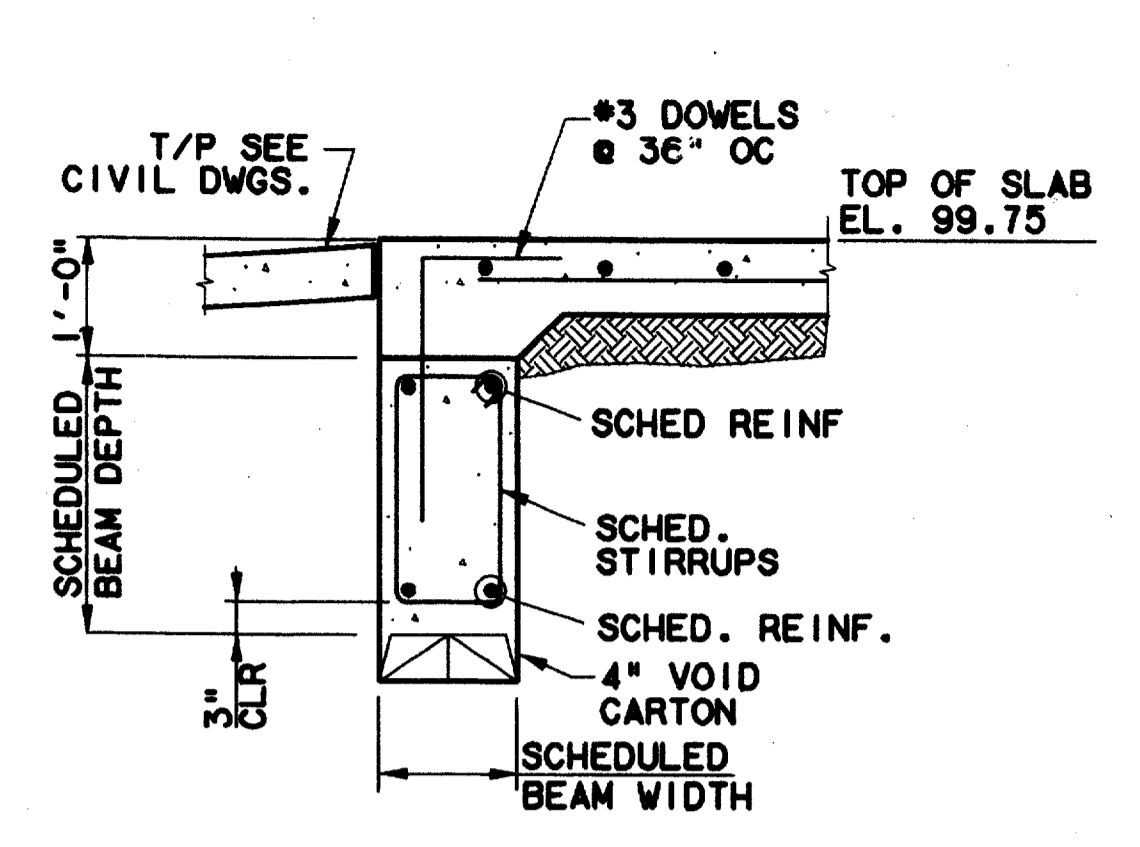
LENGTHS ARE APPROXIMATE AND FOR ESTIMATES ONLY

SHAFT DIAMETER	VERTICAL REINFORCEMENT
18"	6-#5 VERT #3 @ 12" OC
30"	6-#7 VERT #3 @ 12" OC

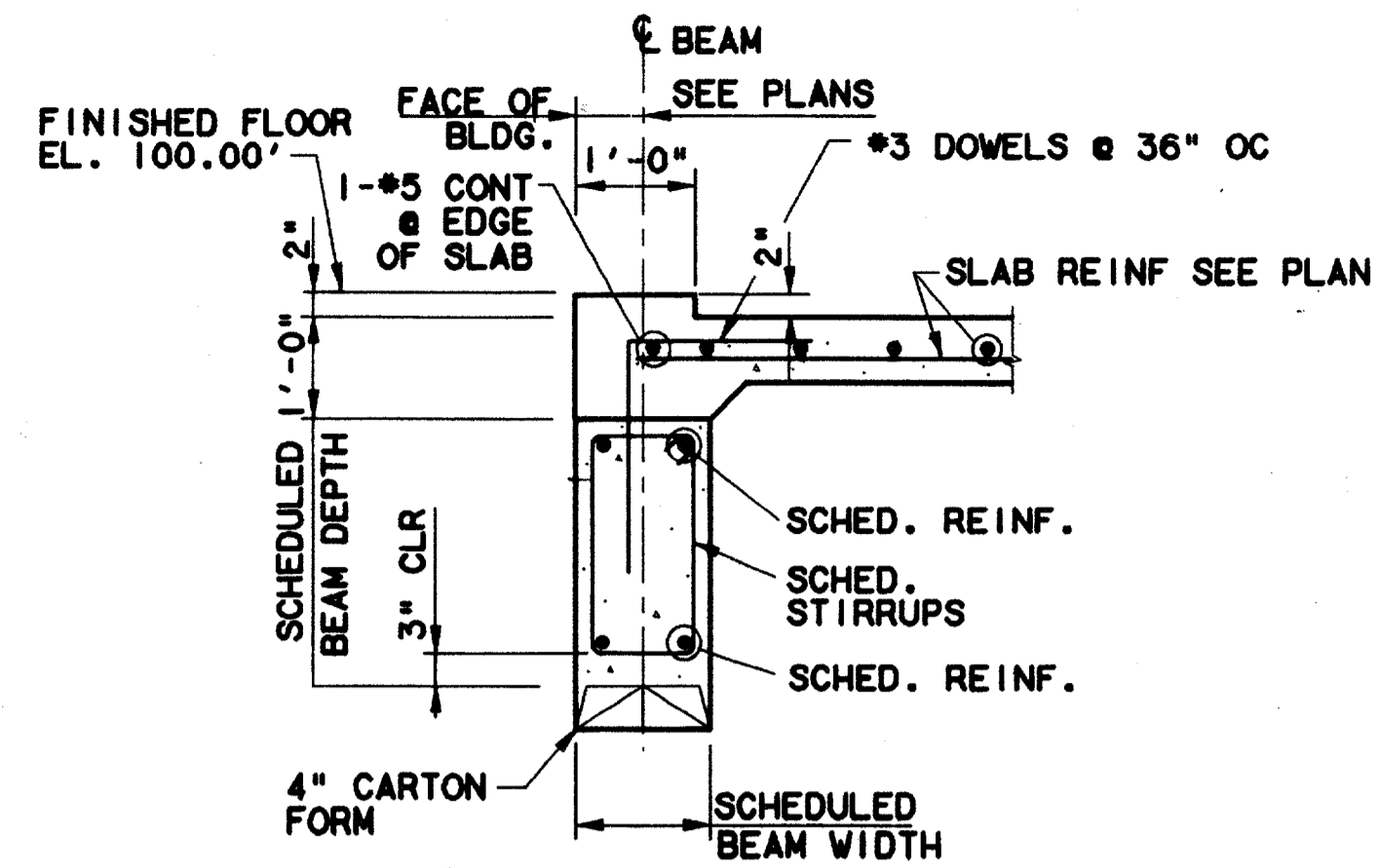
**PIER SCHEDULE & SECTIONS** (1)  
N.T.S. SCI-0003



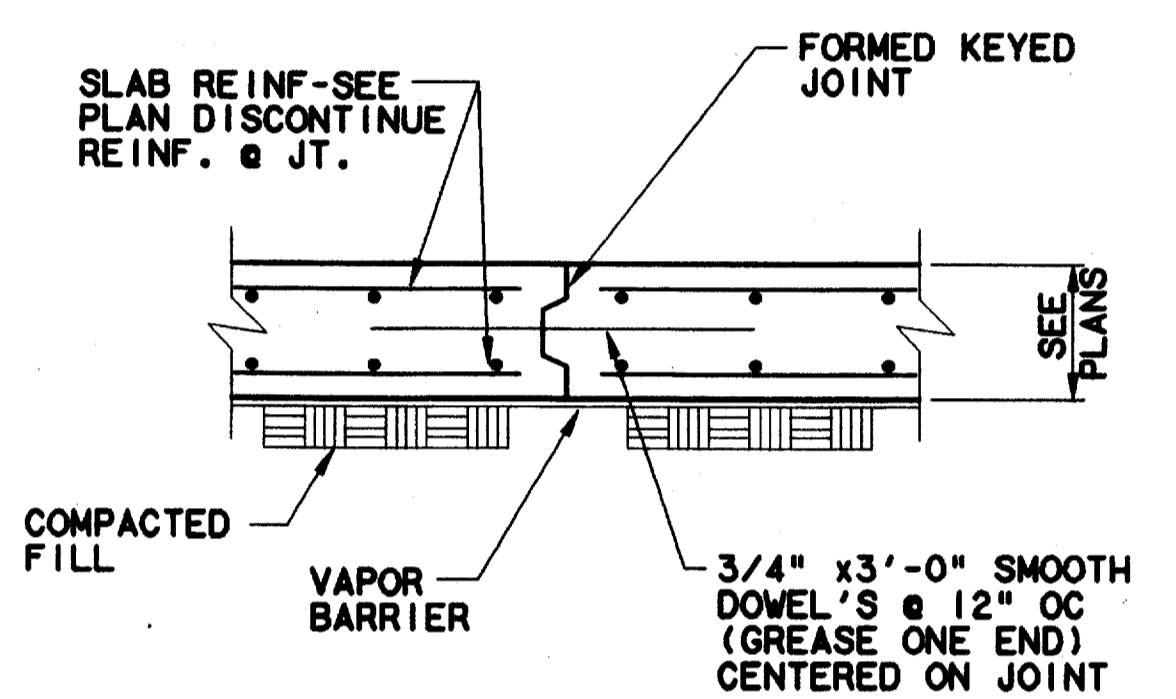
**TYP. BEAM CONST. JT.** (8)  
SCALE: 1/2"=1'-0" SCI-0003



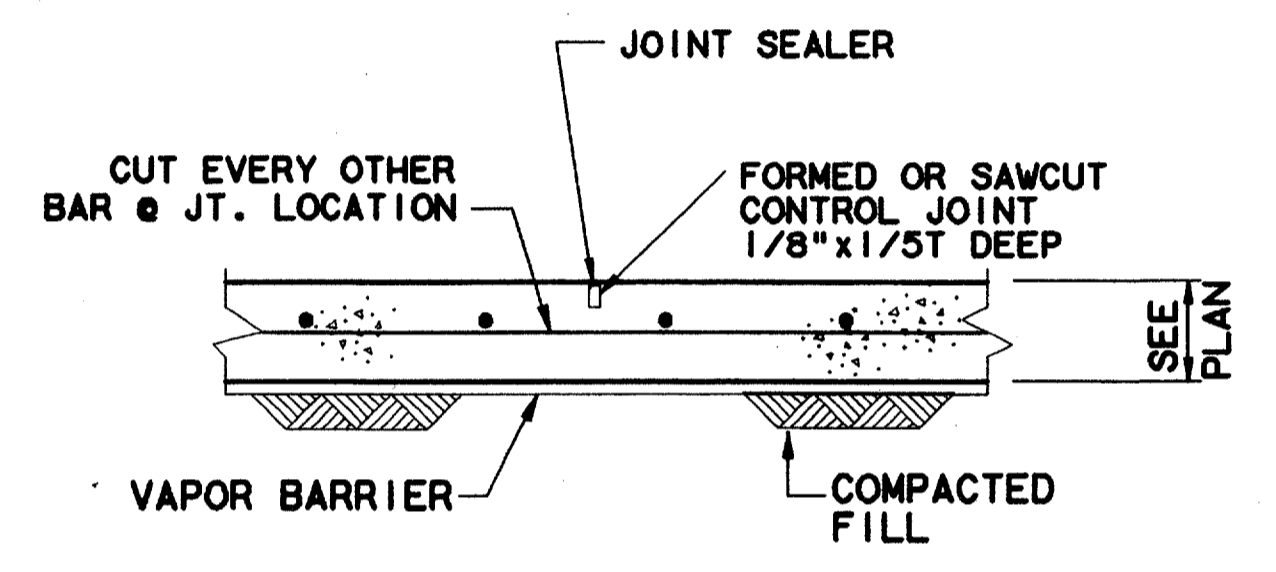
**SECTION 2**  
SCALE: 1/2"=1'-0" SCI-0003



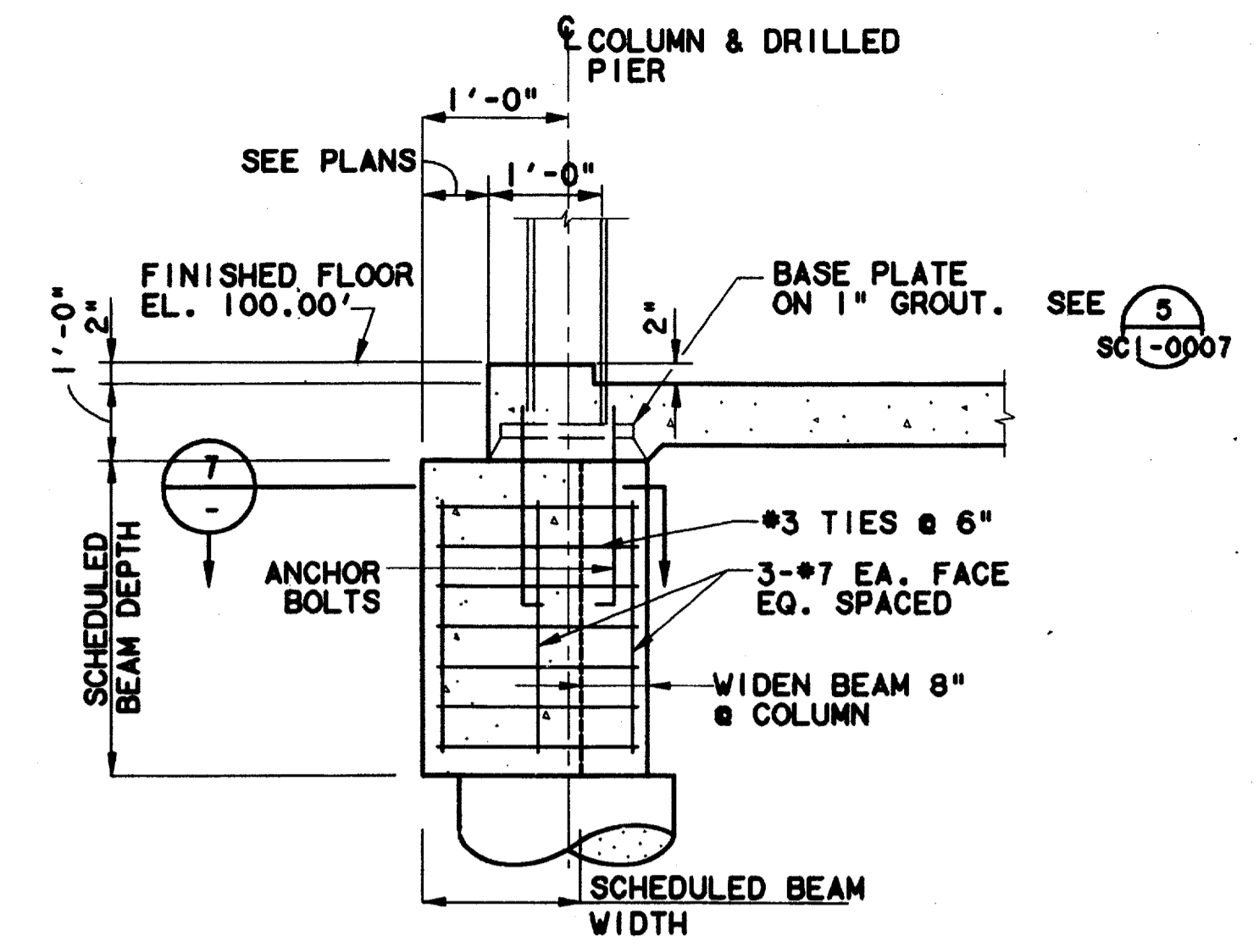
**SECTION 3**  
SCALE: 1/2"=1'-0" SCI-0003



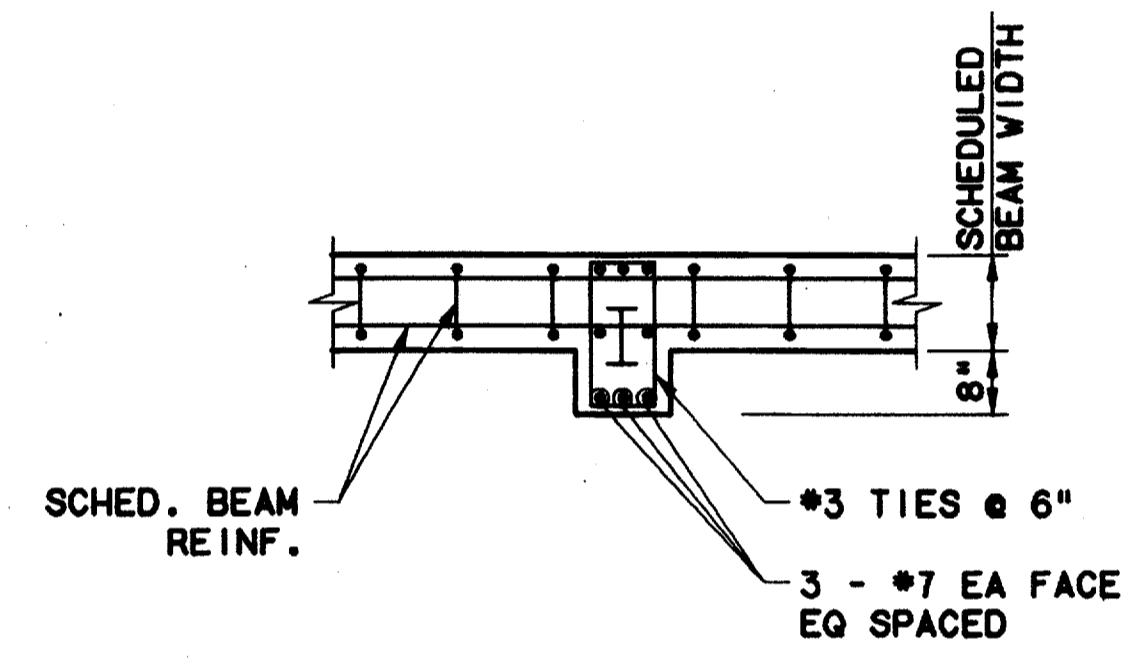
**TYP. CONST. JOINT 5**  
SCALE: 1/2"=1'-0" SCI-0003



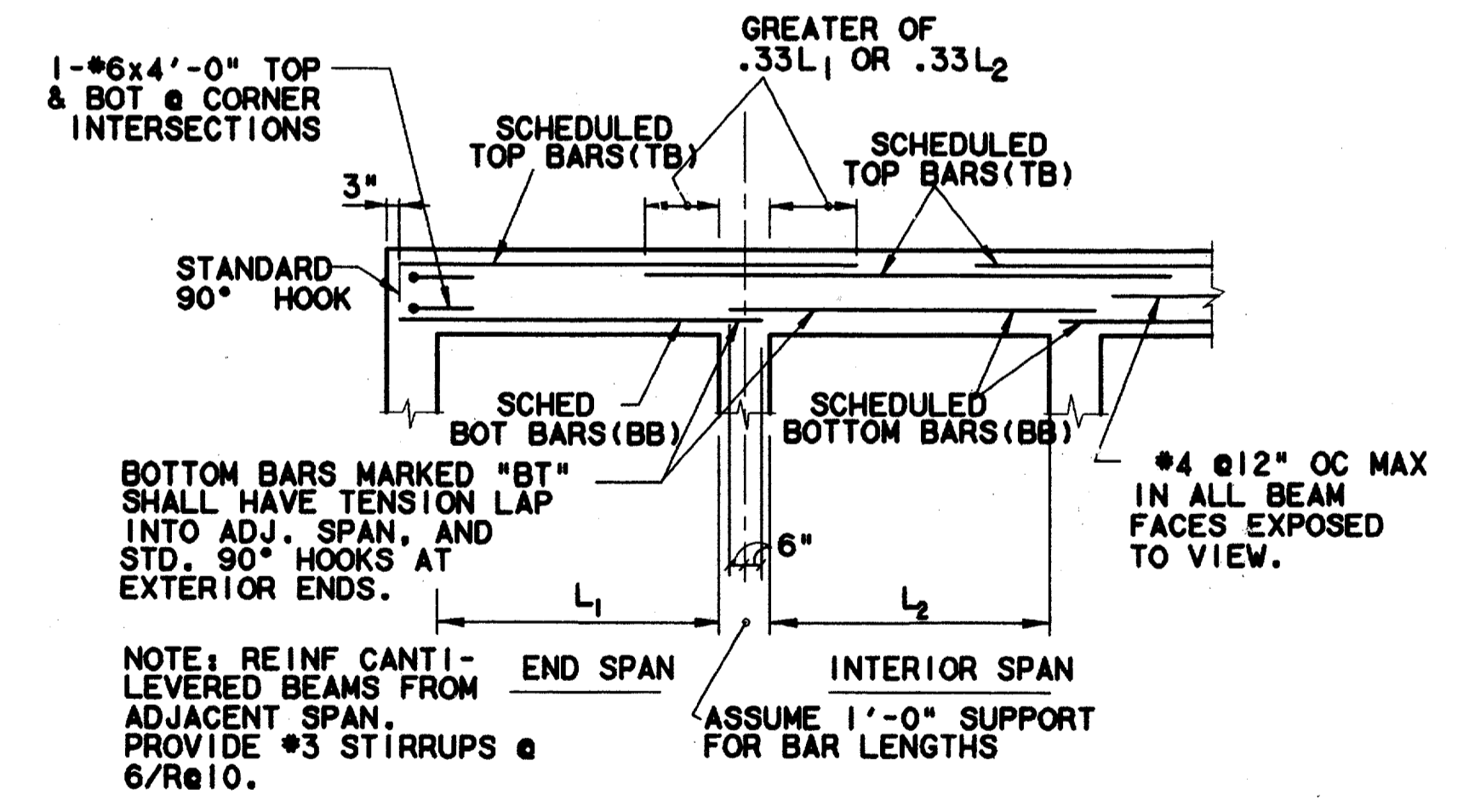
**TYP. CONTROL JOINT 6**  
SCALE: 1/2"=1'-0" SCI-0003



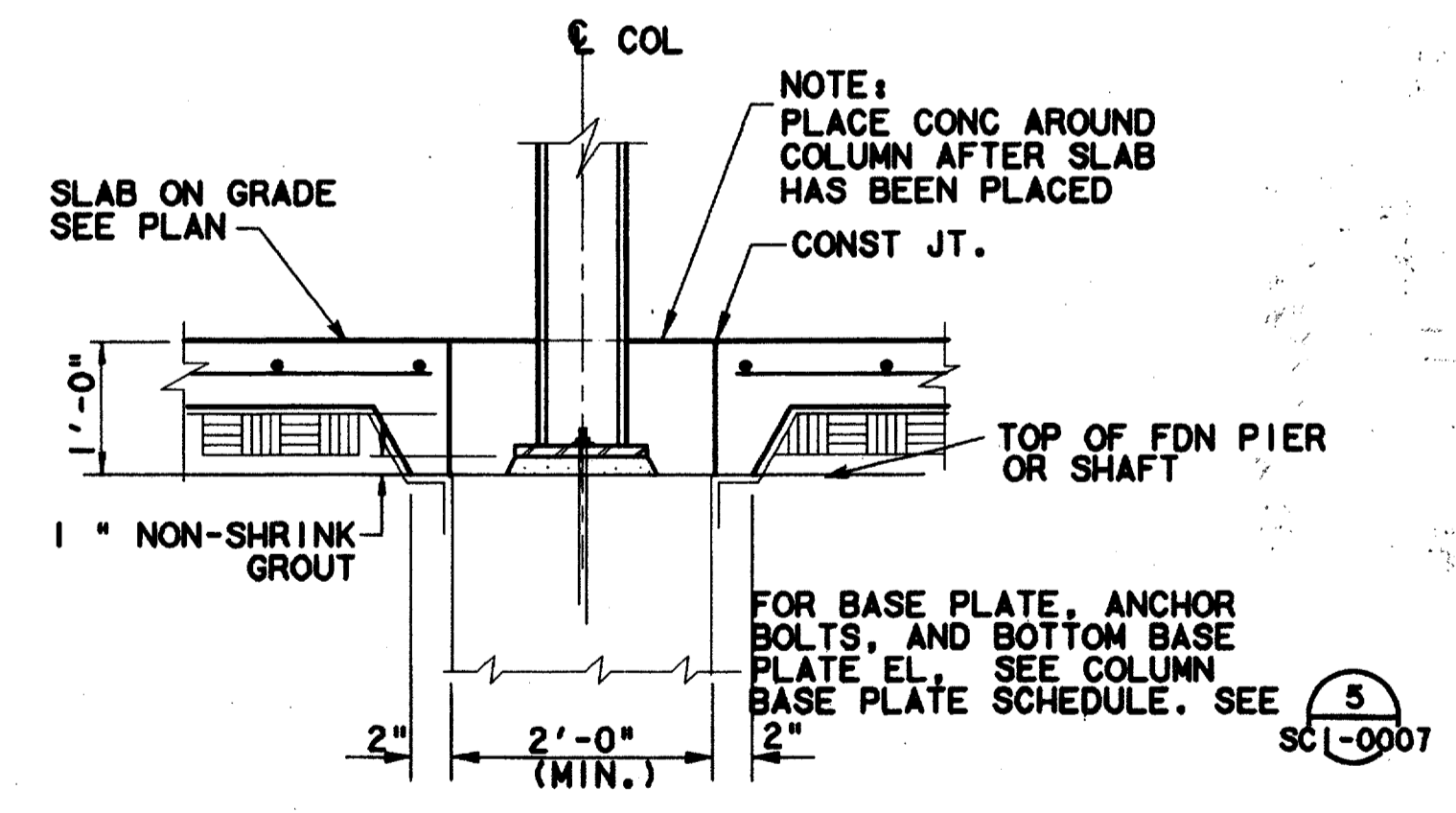
**SECTION 4**  
SCALE: 1/2"=1'-0" SCI-0003



**TYP. SECTION 7**  
SCALE: 1/2"=1'-0" SCI-0003

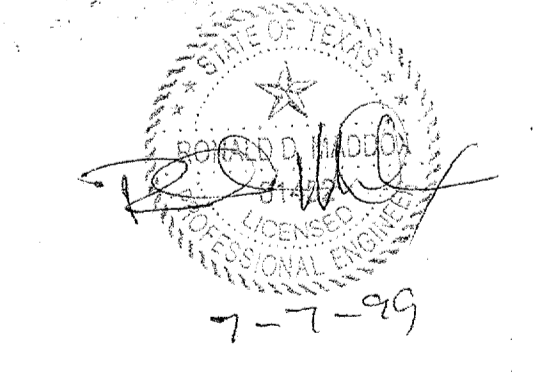


**TYP. GRADE BM. BAR PLACEMENT DETAIL 9**  
SCALE: 1/2"=1'-0" SCI-0003



**TYP. CONST. JT. @ COLUMNS 10**  
SCALE: 1/2"=1'-0" SCI-0003

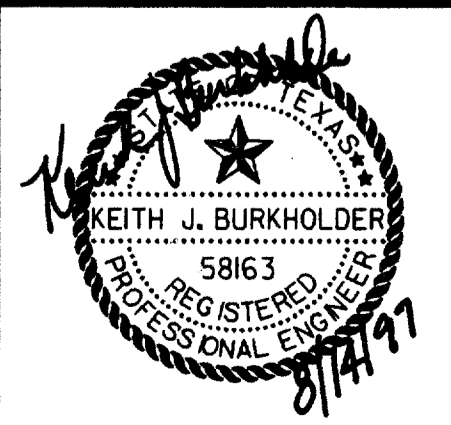
Record (As-built) Certification  
 I, the undersigned, having checked this submission, hereby certify that it conforms to the requirements of the contract in all respects, except as otherwise indicated.  
 Contract No. 97000136  
 City of Dallas  
 City of Firm Signature: [Signature]  
 Title: PRESIDENT  
 Name: JIM KADER  
 Title: PRESIDENT  
 State of Professional Engineer of Construction Contract, including signature and date, thereby acknowledging (as-built) drawings for accuracy of as-built condition indicated herein, must be placed below.



**CONFORMED**

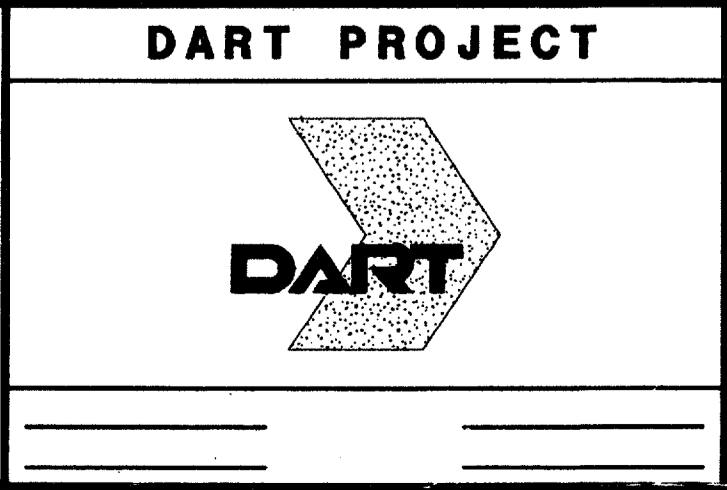
CONTRACT SHEET No. 75 OF 95

REV	DATE	DESCRIPTION	BY	ENG	CHK	APP	REV	DATE	DESCRIPTION	BY	ENG	CHK	APP



**LAN**  
 Lockwood, Andrews & Newnam, Inc.  
 A SUBSIDIARY OF LEO A DALY

**WLA**  
 WENDY LOPEZ & ASSOCIATES, INC.  
 ENGINEERING • SURVEYING • CONSTRUCTION SERVICES  
 8025 MARKET CENTER BLVD - SUITE 510  
 DALLAS, TEXAS 75207  
 (214) 741-7777



SCALE	AS NOTED
DRAWN	V. BAND
DESIGNED	V. BAND
CHECKED	K. BURKHOLDER
IN CHARGE	V. STEVENS
DATE	14 AUGUST 97

**ADDISON TRANSIT CENTER**  
**ENCLOSURE FOUNDATION DETAILS**  
 CONTRACT C-97000136  
 DWG No. SCI-0004  
 REV 0