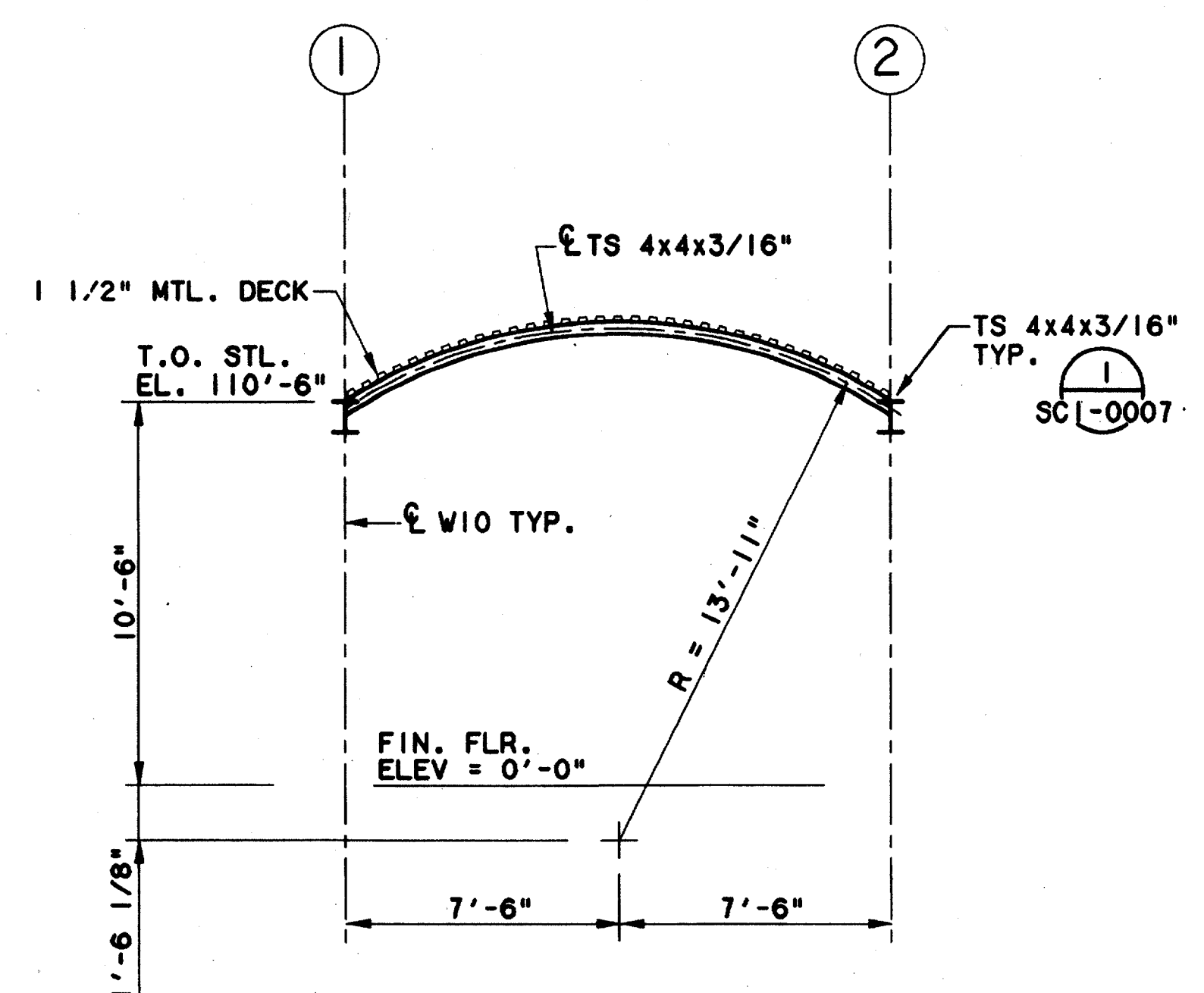
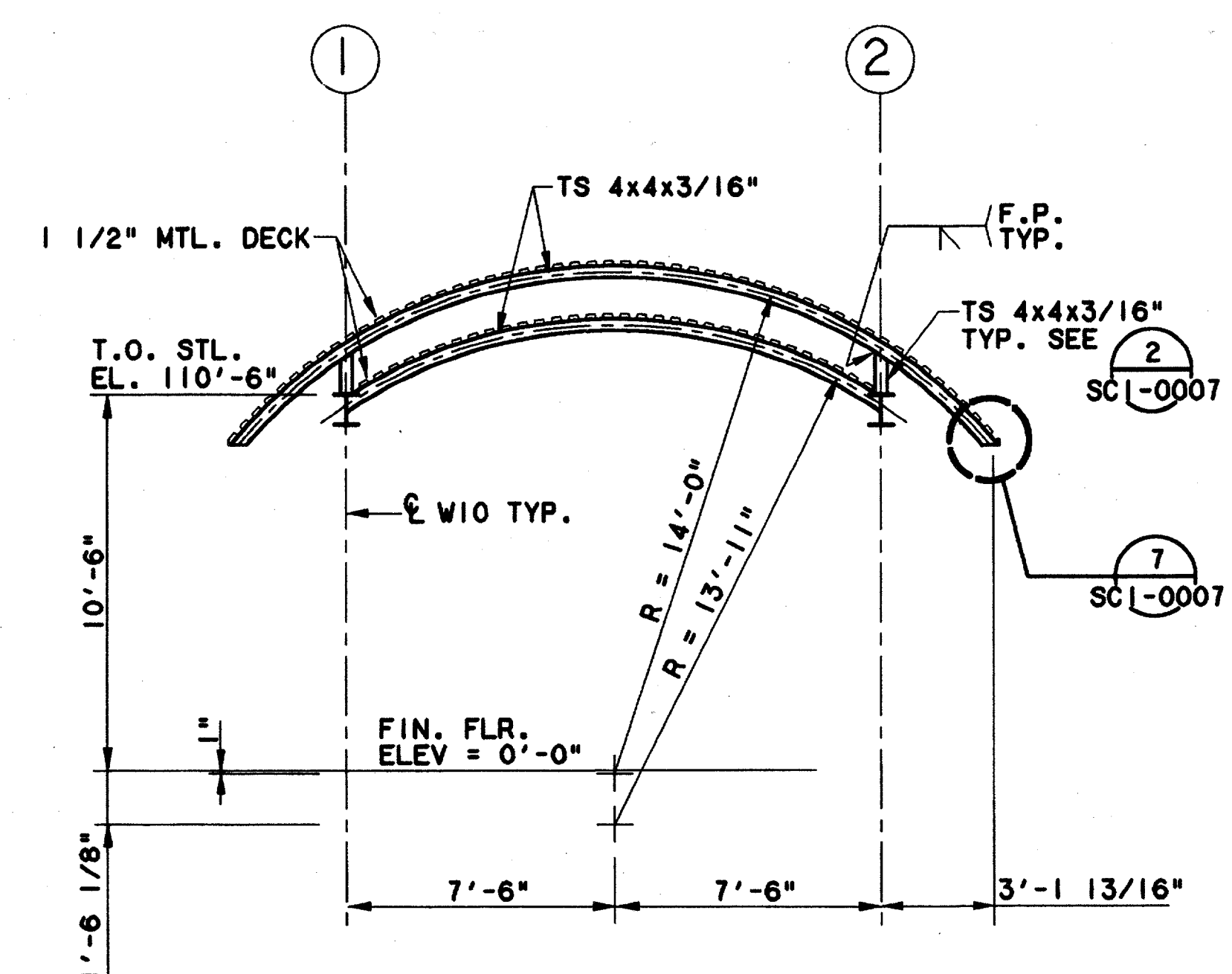


\$\$\$DGN\$SPECIFIC I CATIONS\$\$\$
 \$\$\$SYTIME\$\$\$
 \$\$\$PRF\$\$\$
 \$\$\$USERNAME\$\$\$
 \$\$\$PRF ROT\$\$\$
 \$\$\$PEN\$\$\$
 \$\$\$ILEG6\$\$\$
 \$\$\$ILE7\$\$\$
 \$\$\$ILE8\$\$\$
 \$\$\$ILE9\$\$\$
 \$\$\$ILE10\$\$\$
 \$\$\$ILE1\$\$\$
 \$\$\$ILE2\$\$\$
 \$\$\$ILE3\$\$\$
 \$\$\$ILE4\$\$\$
 \$\$\$ILE5\$\$\$

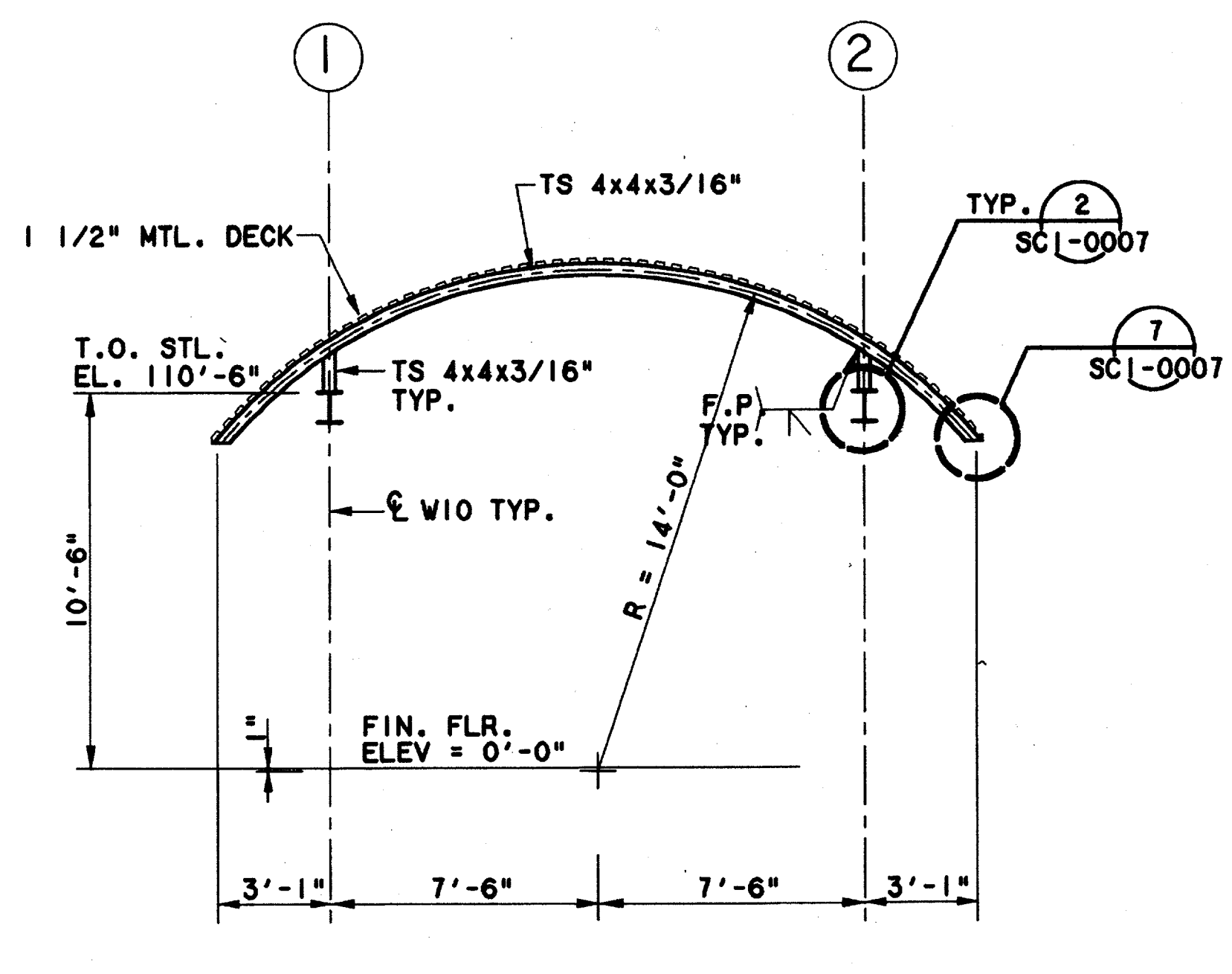
9000-13S ON 9MD



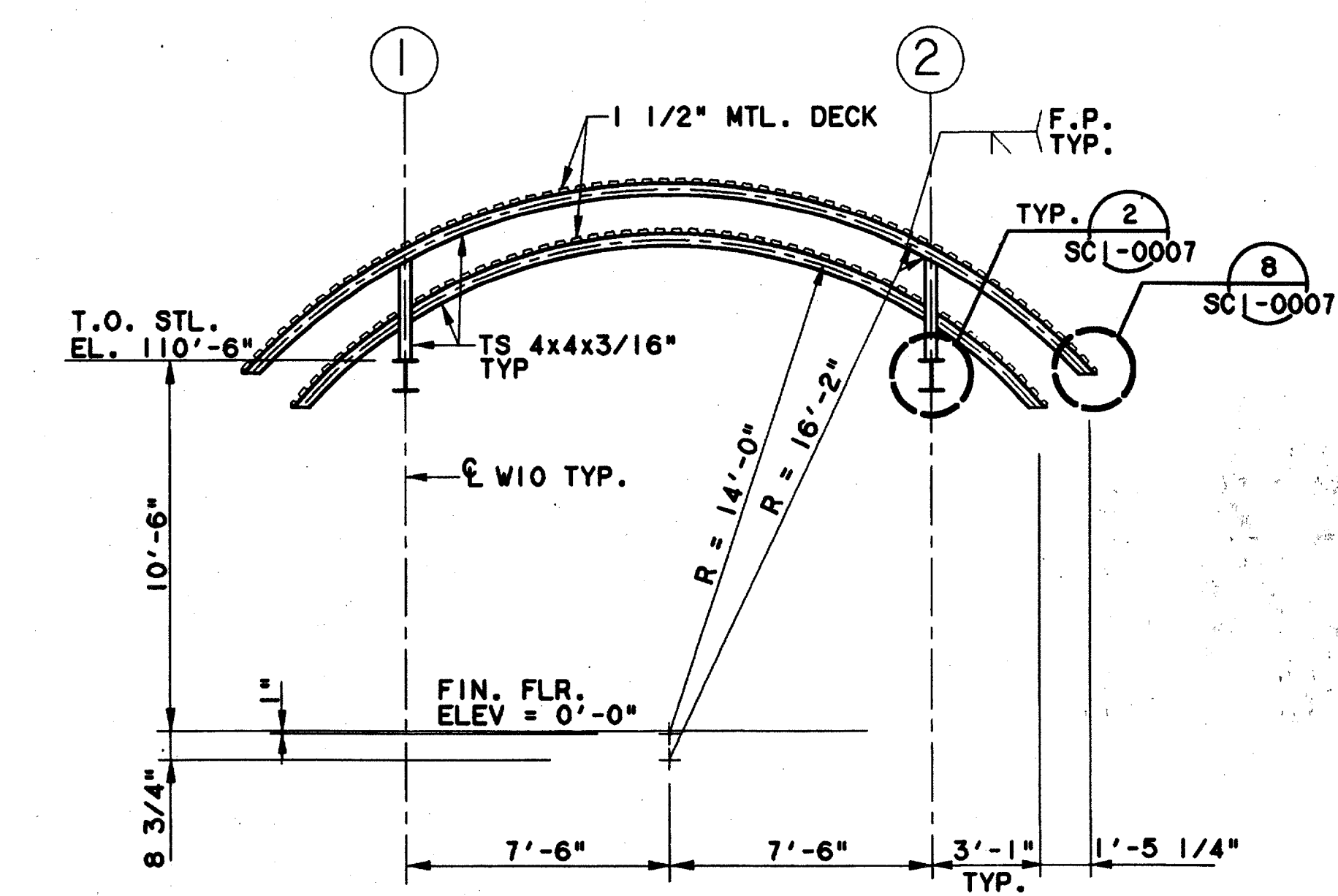
SECTION-J1 (1)
SCALE: 1/4"=1'-0" SCI-0005



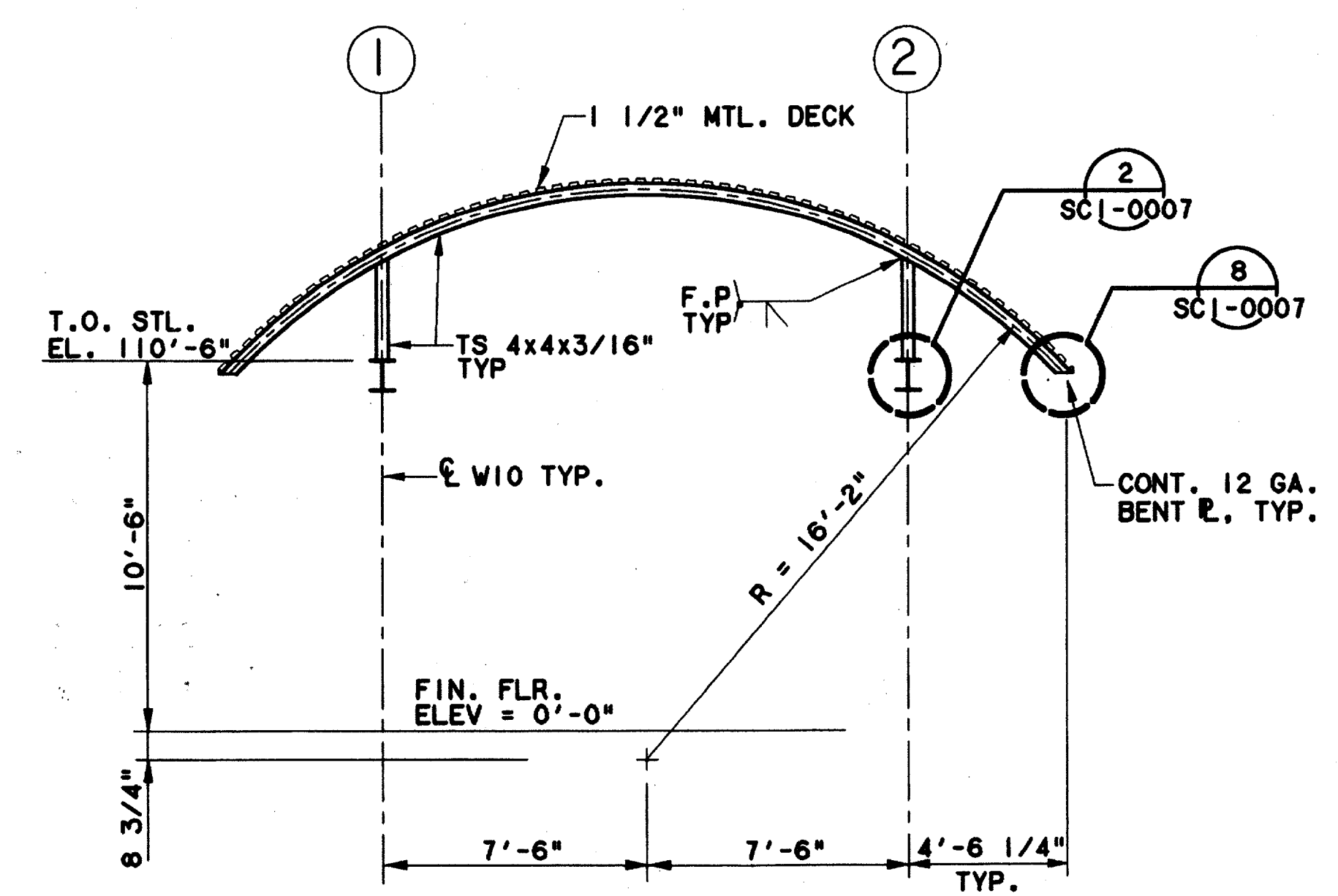
SECTION-J2 (2)
SCALE: 1/4"=1'-0" SCI-0005



SECTION-J3 (3)
SCALE: 1/4"=1'-0" SCI-0005



SECTION-J4 (4)
SCALE: 1/4"=1'-0" SCI-0005



SECTION-J5 (5)
SCALE: 1/4"=1'-0" SCI-0005

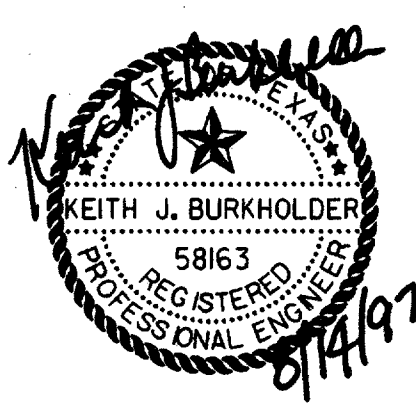
Record (As-built) Certificate
 Record (As-built) Certificate
 Having checked this submission against the requirements of the contract in all respects, except as otherwise indicated,
 I hereby certify that the same conforms to the requirements of the contract.
 Contract Number: 97000136
 Company Name: WLA
 Office of Firm Signature: [Signature]
 Title of Firm Representative: [Signature]
 Name of Professional Engineer: TOM KADER
 Title of Professional Engineer: PRESIDENT
 State of Professional Engineer: TEXAS
 I, the Professional Engineer of Contracting Contractor, including signature and title, hereby sealing, record and deposit drawings for amount of all-eligible project included herein must be placed in use.
 7-7-97

CONFORMED

CONTRACT SHEET No. 77 OF 95

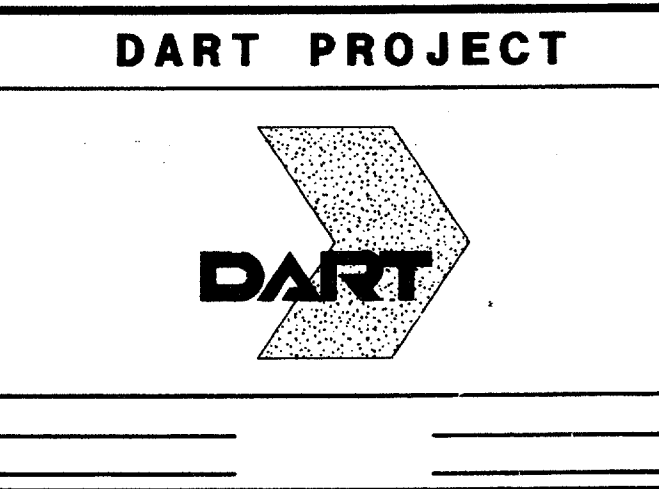
**ADDISON
 TRANSIT CENTER**
**ENCLOSURE ROOF
 SECTIONS**

REV	DATE	DESCRIPTION	BY	ENG	CHK	APP	REV	DATE	DESCRIPTION	BY	ENG	CHK	APP



**Lockwood, Andrews
 & Newnam, Inc.**
 A SUBSIDIARY OF LEO A DALY

WLA
WENDY LOPEZ & ASSOCIATES, INC.
 ENGINEERING • SURVEYING • CONSTRUCTION SERVICES
 905 MARKET CENTER BLVD., SUITE 510
 DALLAS, TEXAS 75207
 (214) 746-7777



SCALE: 1/4" = 1'-0"
 DRAWN: V. BAND
 DESIGNED: V. BAND
 CHECKED: K. BURKHOLDER
 IN CHARGE: V. STEVENS
 DATE: 14 AUGUST 97



CONTRACT C-97000136
 DWG No. SCI-0006
 REV 0