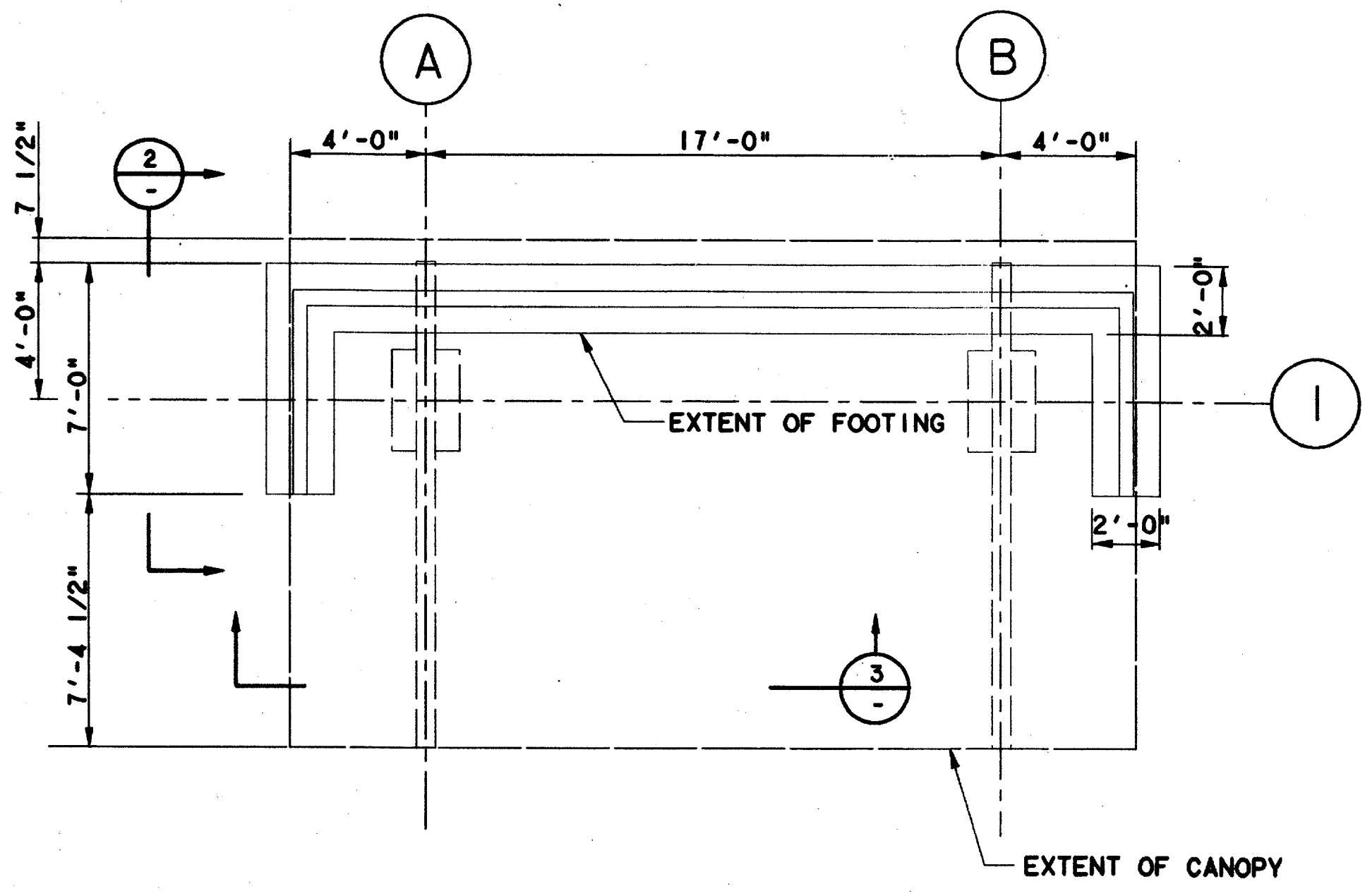
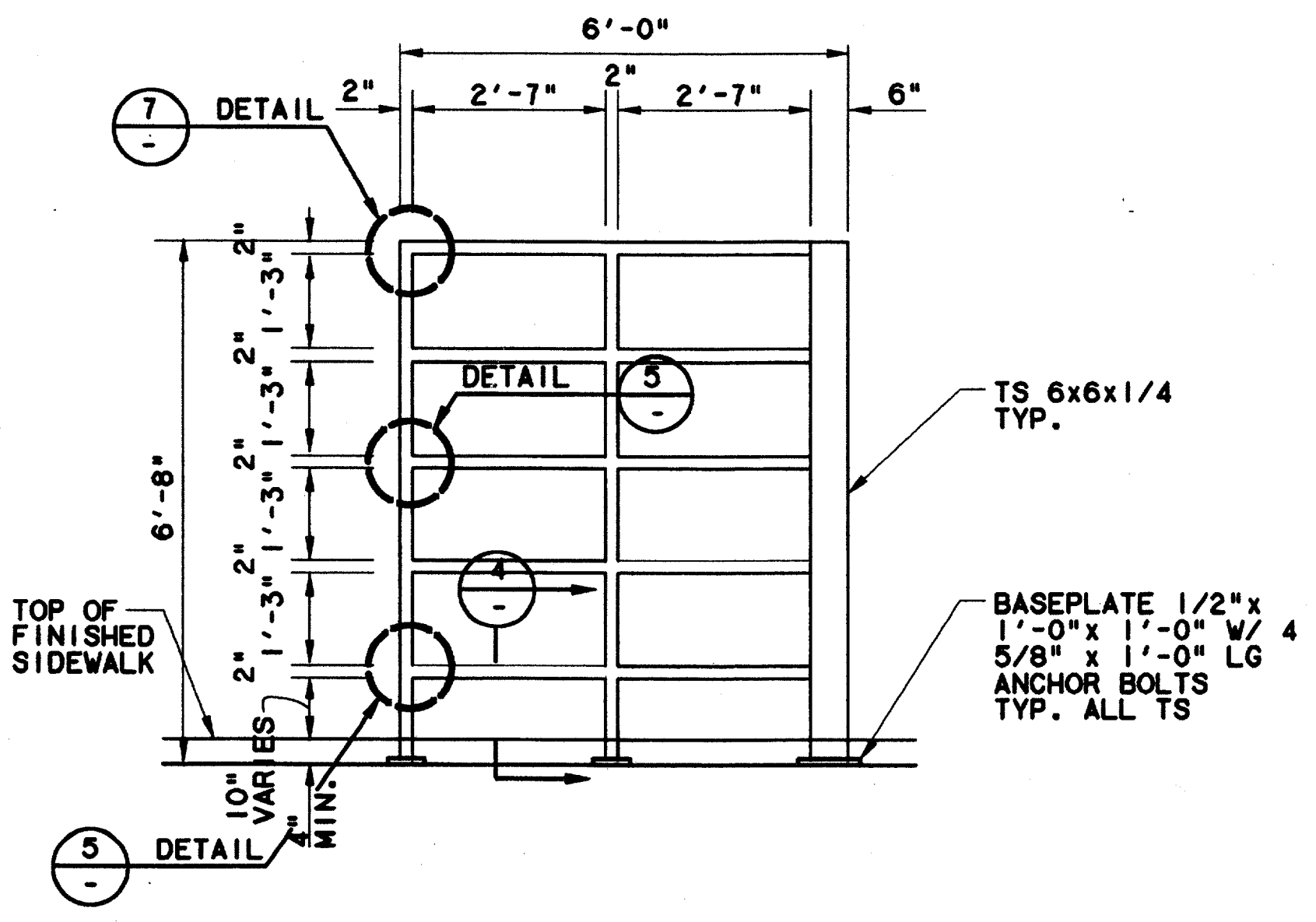


\$\$\$DGN\$\$\$SPECIFICATION\$\$\$  
 \$\$\$SYTIME\$\$\$  
 \$\$\$PRF\$\$\$  
 \$\$\$USERNAME\$\$\$  
 \$\$\$PRF ROT\$\$\$  
 \$\$\$PEN\$\$\$  
 \$\$\$ILE6\$\$\$  
 \$\$\$ILE7\$\$\$  
 \$\$\$ILE8\$\$\$  
 \$\$\$ILE9\$\$\$  
 \$\$\$ILE10\$\$\$  
 \$\$\$ILE1\$\$\$  
 \$\$\$ILE2\$\$\$  
 \$\$\$ILE3\$\$\$  
 \$\$\$ILE4\$\$\$  
 \$\$\$ILE5\$\$\$

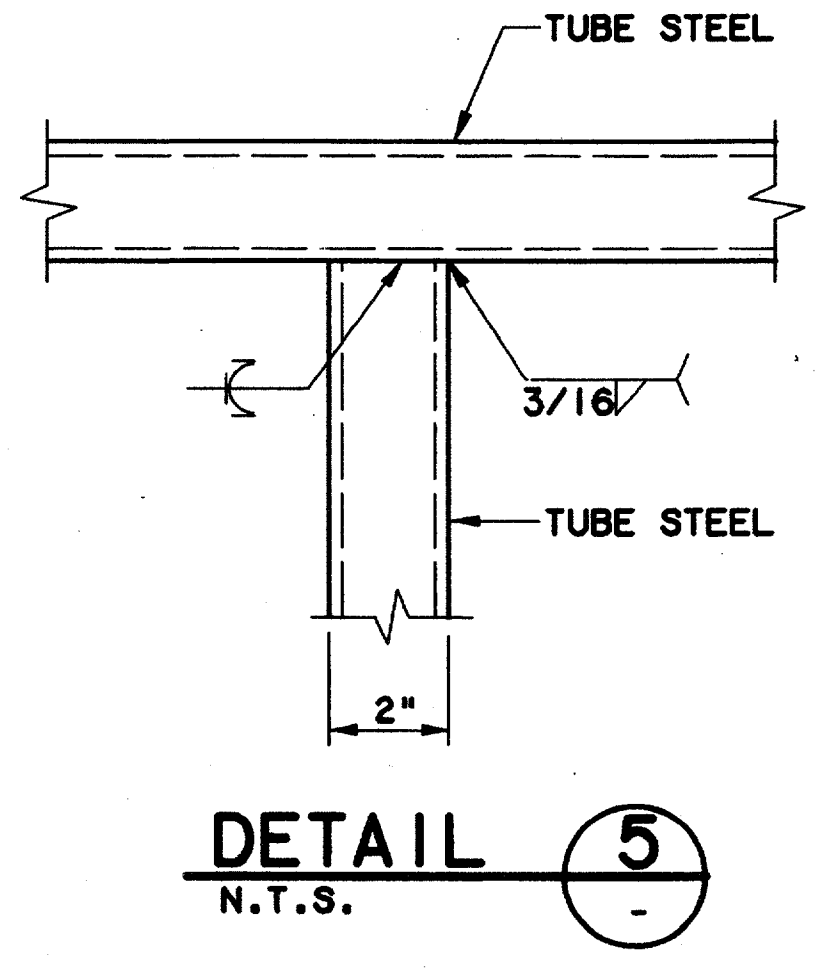
6000-1CS DWG No. 9AD



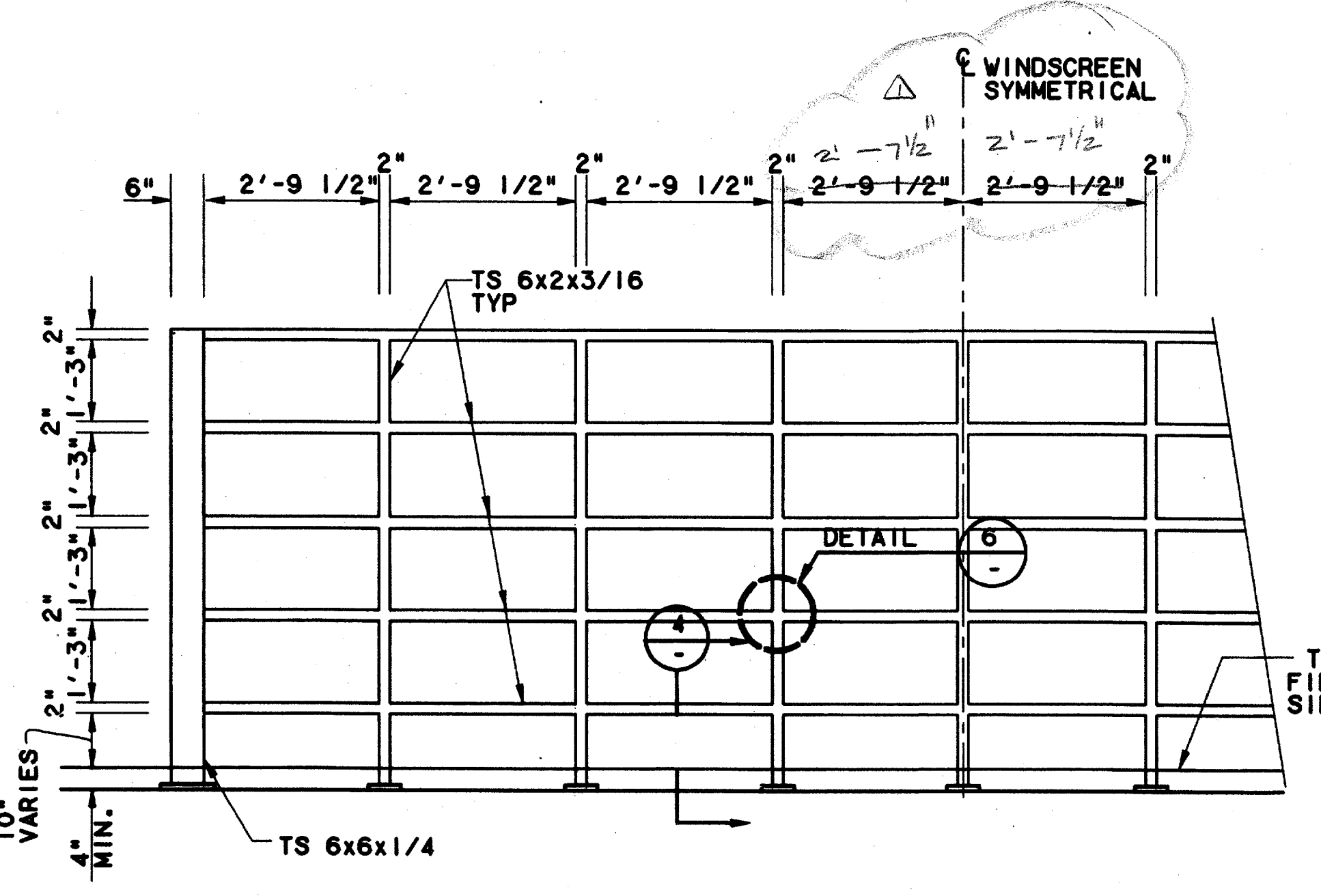
**PLAN**  
SCALE: 1/4"=1'-0"



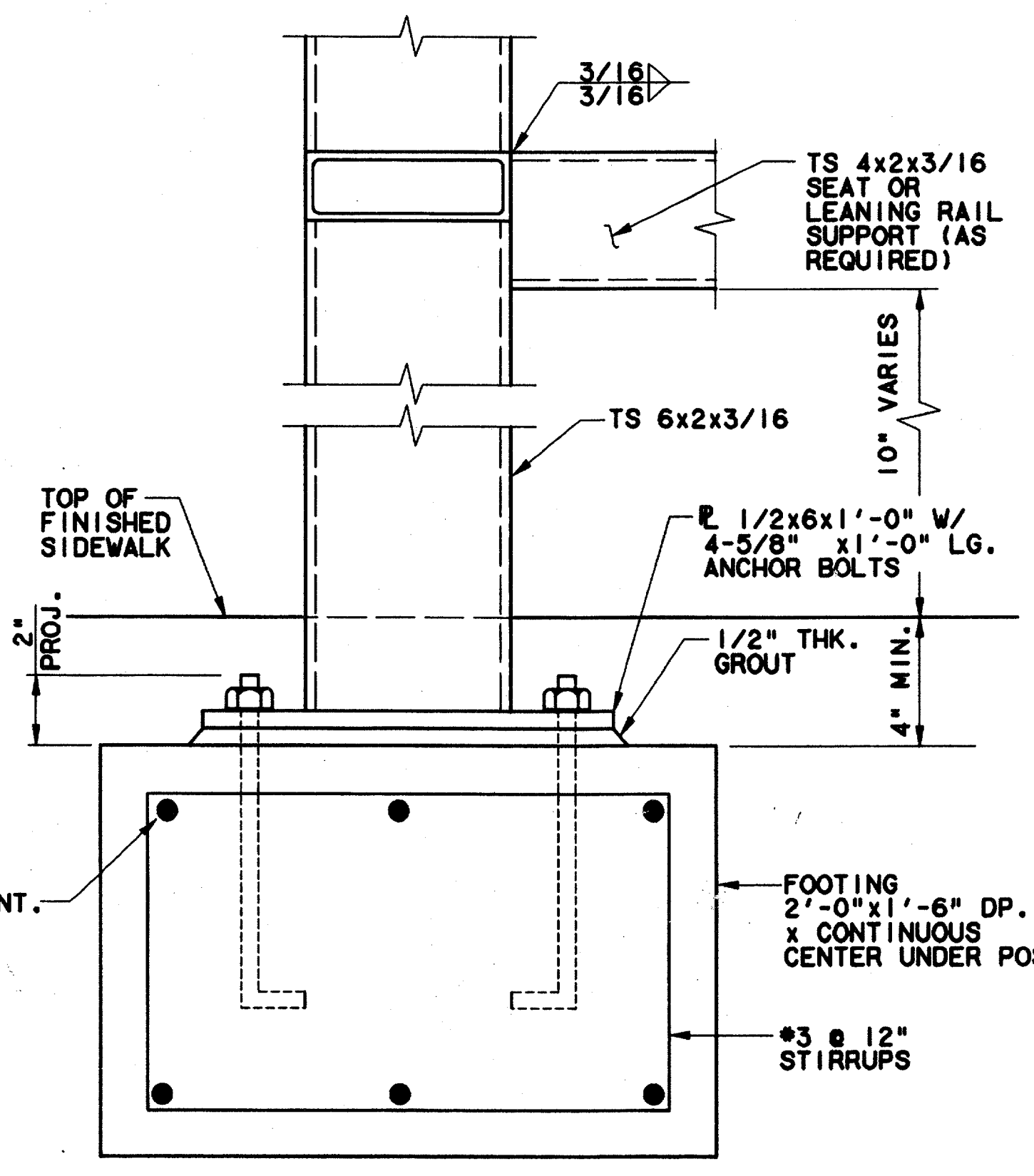
**ELEVATION 2**  
SCALE: 1/2"=1'-0"



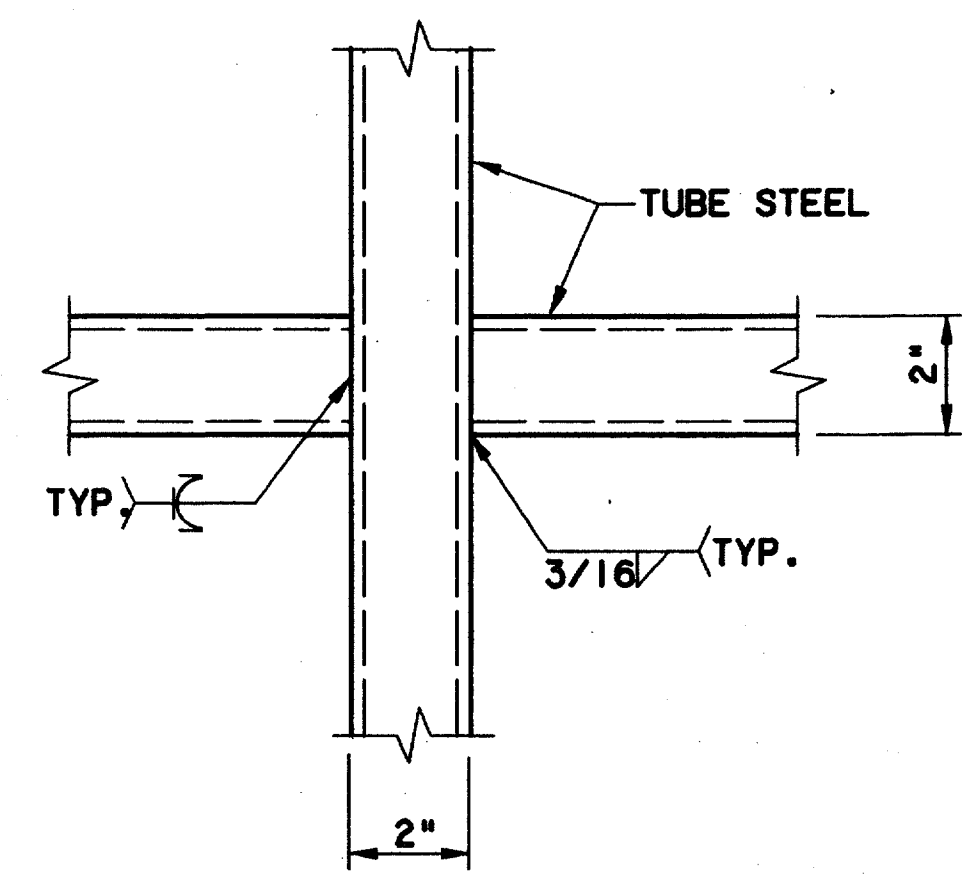
**DETAIL 5**  
N.T.S.



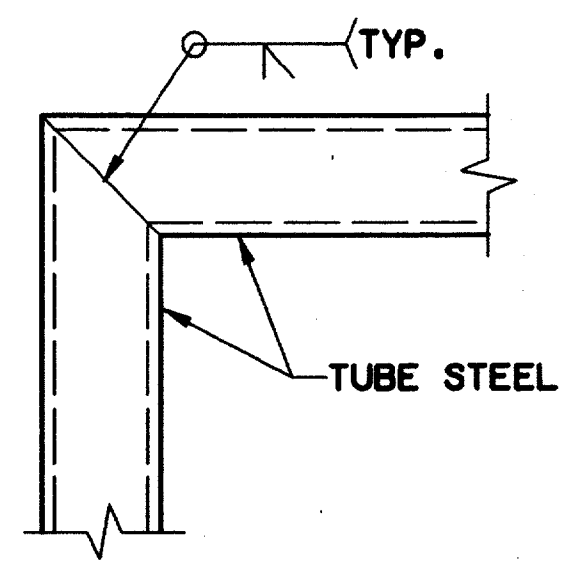
**ELEVATION 3**  
SCALE: 1/2"=1'-0"



**SECTION 4**  
SCALE: 3"=1'-0"



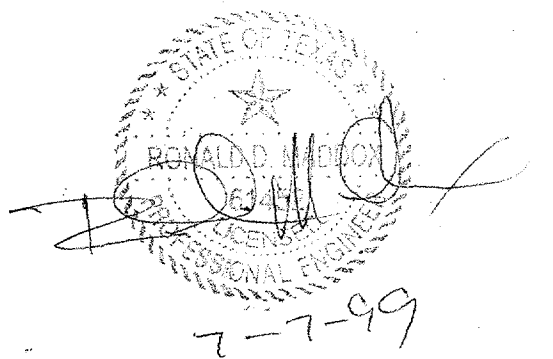
**DETAIL 6**  
N.T.S.



**DETAIL 7**  
N.T.S.

- NOTES:**
1. SEE ARCHITECTURAL DRAWINGS FOR DIMENSIONS AND CONFIGURATION OF WINDSCREENS.
  2. GRIND ALL WELDS SMOOTH.

Record (As-Built) Certification  
 "Having checked the submission, we certify that it conforms to the requirements of the contract in all respects, except as otherwise indicated."  
 Contract Number: 97000136  
 Company Name: WLA  
 Office of Firm Signature: [Signature]  
 Date: 7-7-99  
 Title of Officer: JIM KADER, PRESIDENT



**CONFORMED**

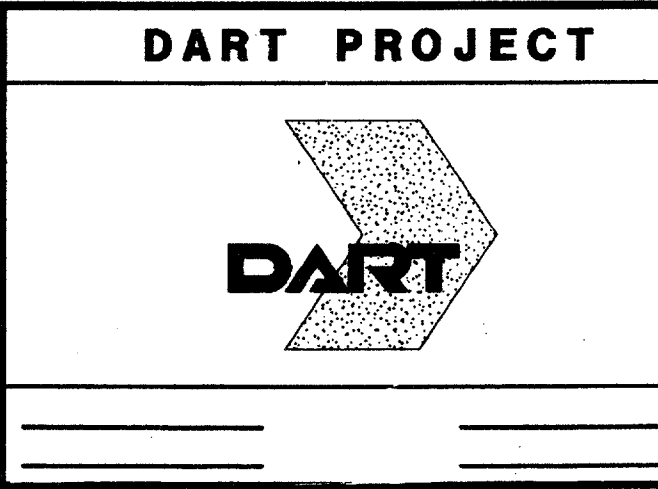
CONTRACT SHEET No. 80 OF 95

REV	DATE	DESCRIPTION	BY	ENG	CHK	APP	REV	DATE	DESCRIPTION	BY	ENG	CHK	APP
Δ	8/30/99	RECORD (AS BUILT) DRAWINGS					Δ						
Δ							Δ						
Δ							Δ						
Δ							Δ						
Δ							Δ						
Δ							Δ						



**L&N**  
 Lockwood, Andrews & Newnam, Inc.  
 A SUBSIDIARY OF LEO A DALY

**WLA**  
 WENDY LOPEZ & ASSOCIATES, INC.  
 ENGINEERING • SURVEYING • CONSTRUCTION SERVICES  
 1825 MARKET CENTER BLVD - SUITE 500  
 DALLAS, TEXAS 75207  
 (214) 746-7777



SCALE	AS NOTED
DRAWN	V. BAND
DESIGNED	V. BAND
CHECKED	K. BURKHOLDER
IN CHARGE	V. STEVENS
DATE	14 AUGUST 97

**ADDISON TRANSIT CENTER**  
**CANOPY WINDSCREEN DETAILS**

CONTRACT C-97000136 DWG No. SCI-0009 REV 01