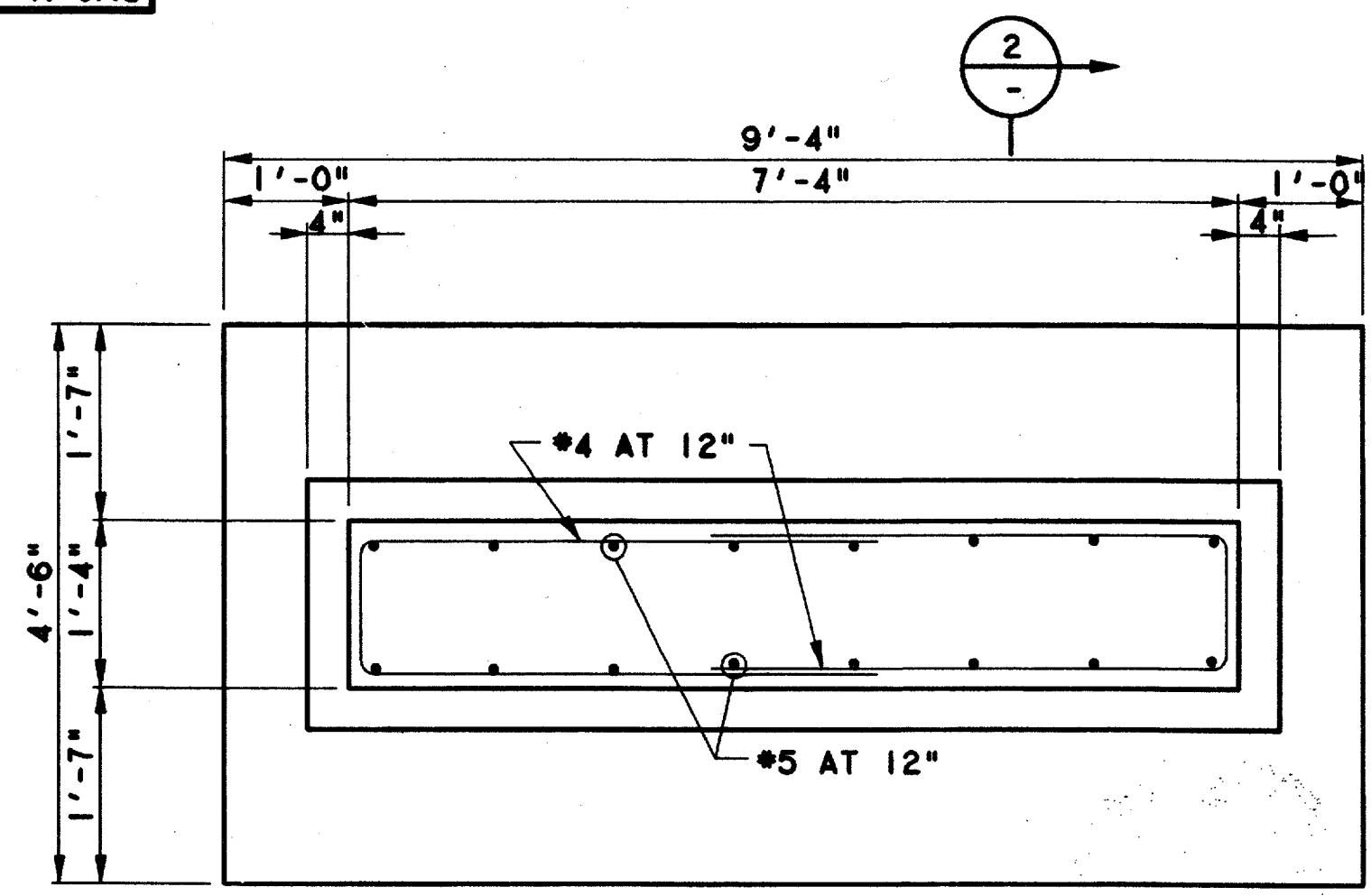
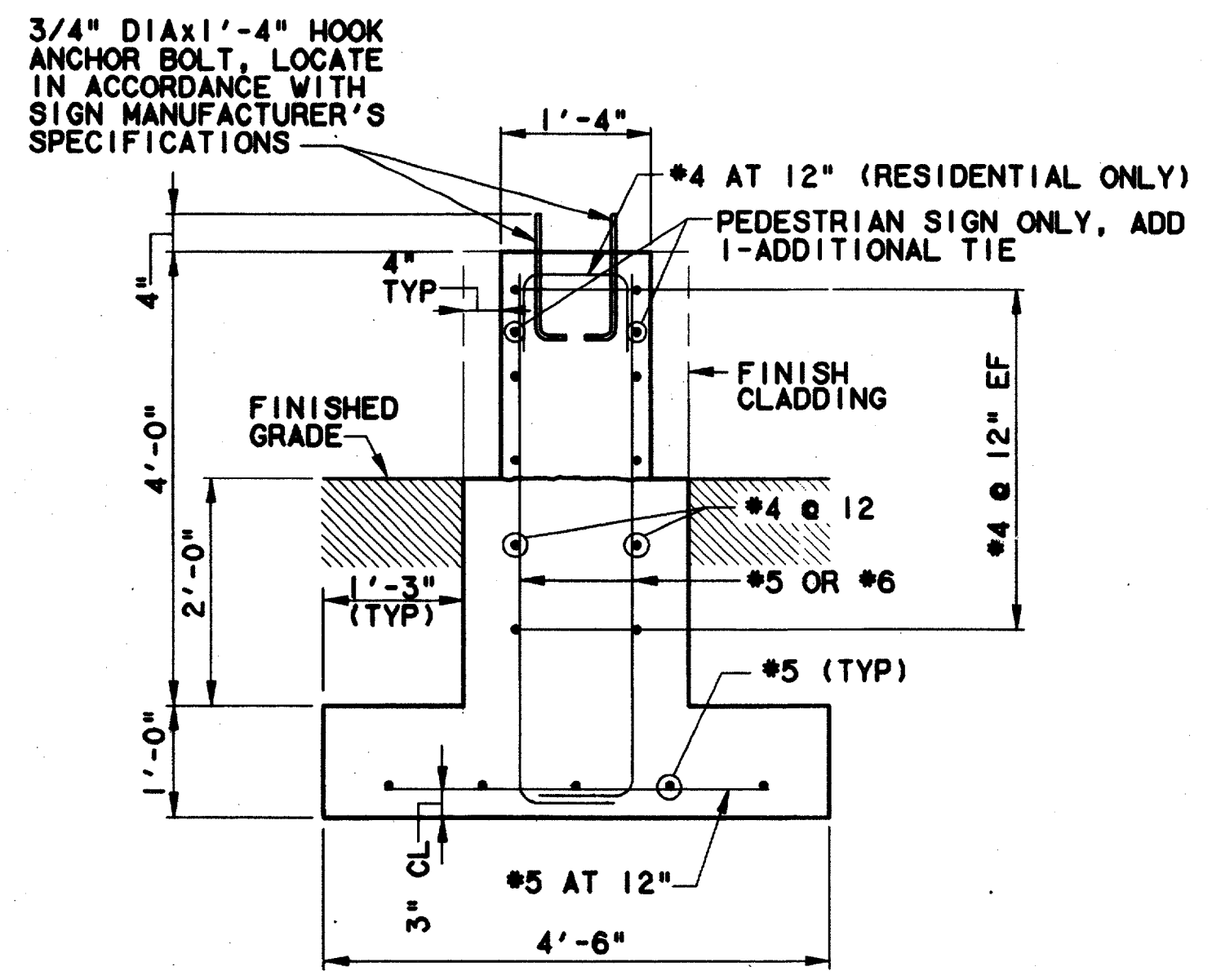


\$\$\$SYT INE\$\$\$
 \$\$\$PRF\$\$\$
 \$\$\$PEN\$\$\$
 \$\$\$USERNAME\$\$\$
 \$\$\$PRF ROT\$\$\$
 \$\$\$PRF\$\$\$
 \$\$\$PEN\$\$\$
 \$\$\$FILE7\$\$\$
 \$\$\$FILE8\$\$\$
 \$\$\$FILE9\$\$\$
 \$\$\$FILE10\$\$\$
 \$\$\$FILE1\$\$\$
 \$\$\$FILE2\$\$\$
 \$\$\$FILE3\$\$\$
 \$\$\$FILE4\$\$\$
 \$\$\$FILE5\$\$\$



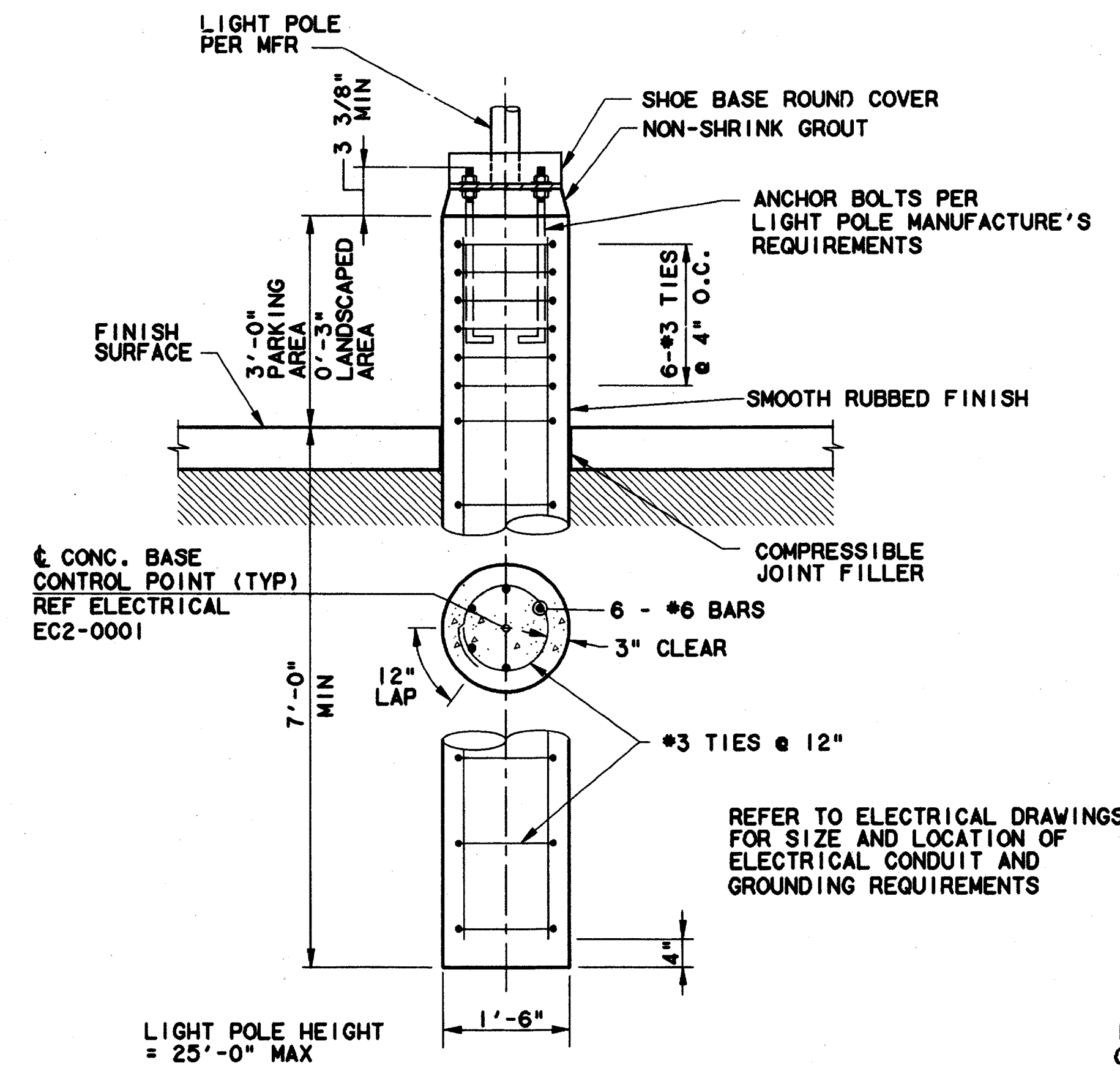
PLAN

RESIDENTIAL ZONE SITE SIGN SUPPORT DETAIL
SCALE: 3/4"=1'-0"

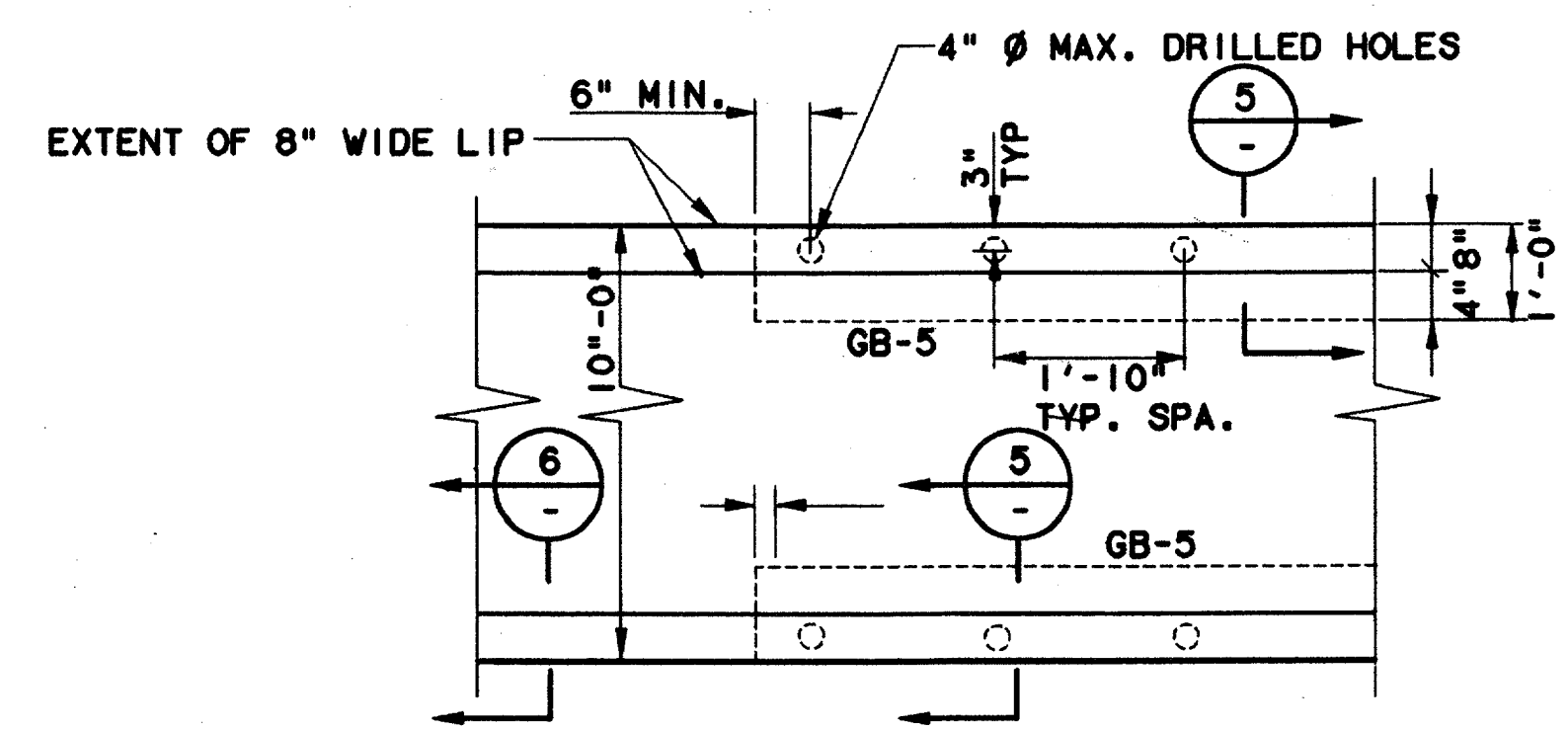


SECTION

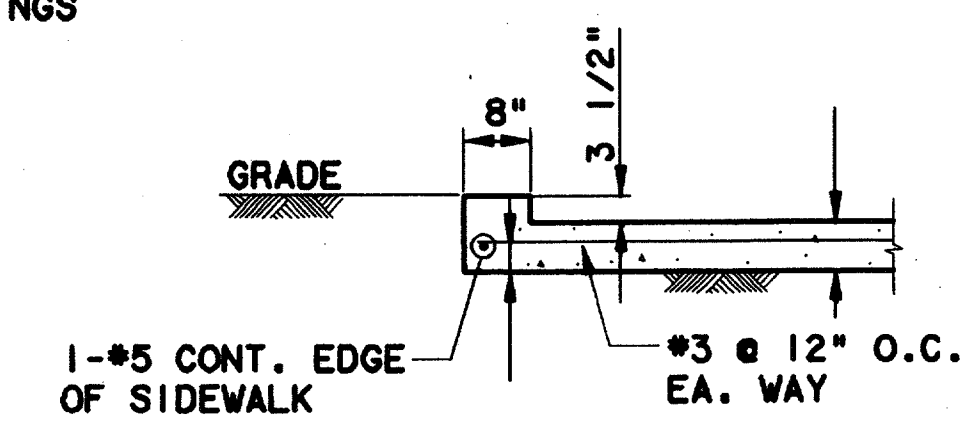
RESIDENTIAL ZONE SITE SIGN SUPPORT DETAIL
SCALE: 3/4"=1'-0"



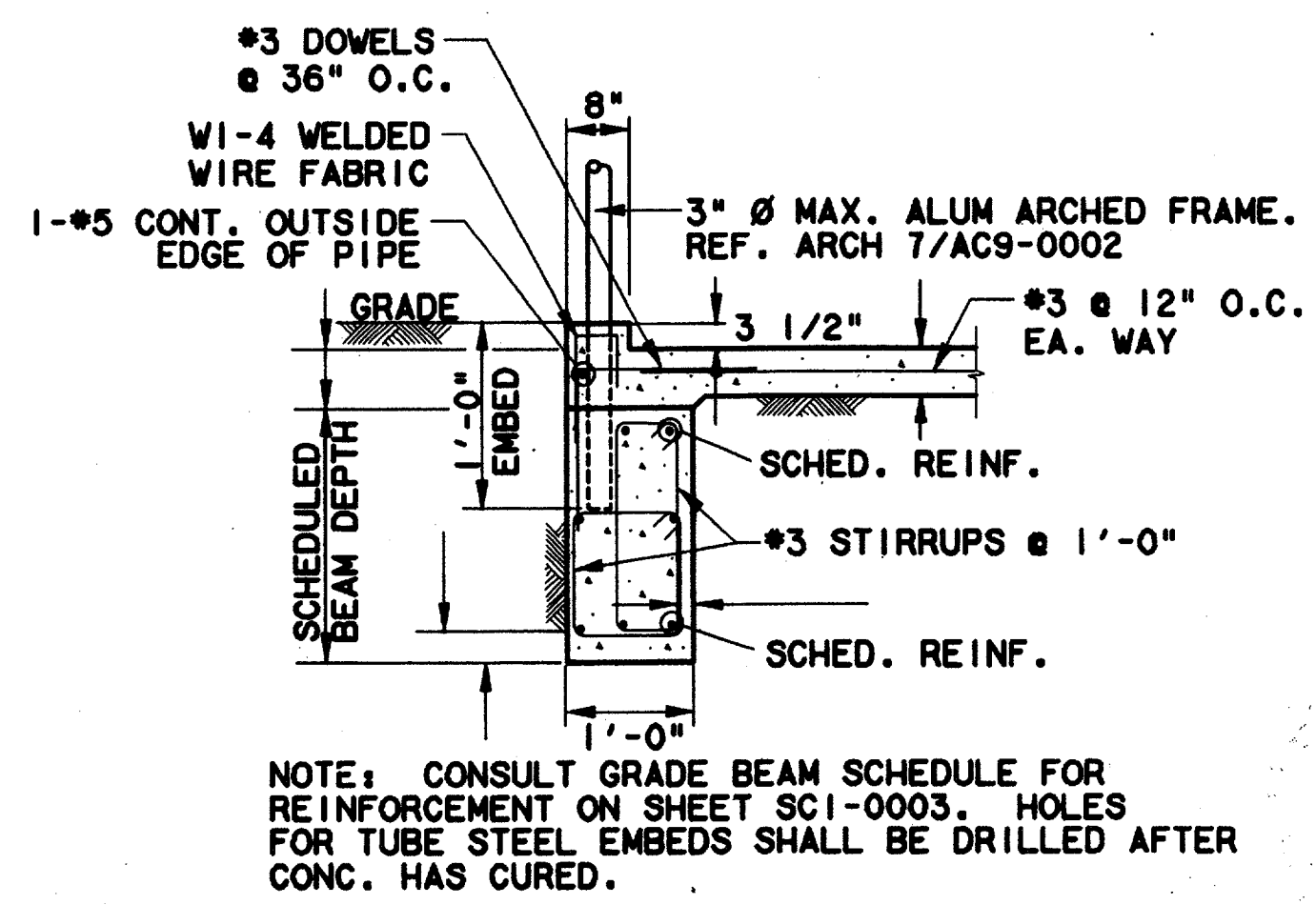
DETAIL-LIGHT POLE FOUNDATION
SCALE: 3/4" = 1'-0"



ARBOR PLAN
SCALE: 3/4"=1'-0"



SECTION
SCALE: 3/4"=1'-0"



SECTION
SCALE: 3/4"=1'-0"

NOTES:

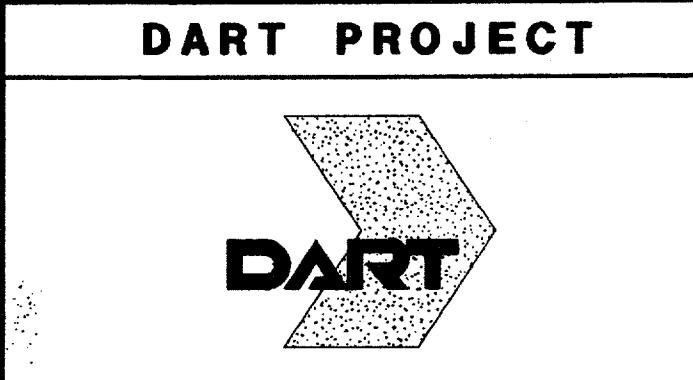
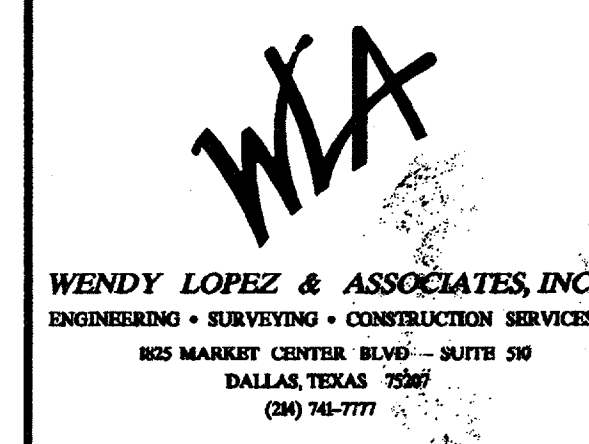
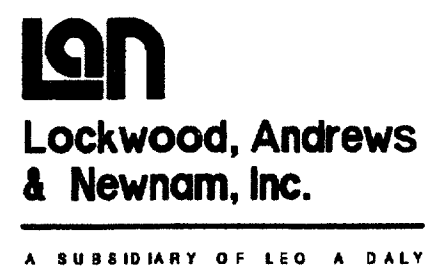
1. MINIMUM ALLOWABLE SOIL PRESSURE 2 KSF
2. CONCRETE: MIX B-1 (CLASS 4000)
3. REINFORCING: CONFORM TO ASTM A615 GRADE 60. CHAMFER ALL EXPOSED EDGES 3/4".
4. COORDINATE WITH SIGNAGE AND ELECTRICAL DRAWINGS FOR LOCATION OF ANCHOR BOLTS, CONDUIT SIZE, CONDUIT LOCATION, ETC.
5. COMPACT BACKFILL AROUND SIGN BASE TO A MINIMUM OF 95% STANDARD PROCTOR DENSITY.

Record (As-built) Certification
 Having checked this submission, we certify that it conforms to the requirements of the contract in all respects, except as otherwise indicated.
 Contract Number: 97000136
 Company Name: WEA
 Officer of Firm Signature: JIM KADER
 Title of Officer (typed): PRESIDENT
 Date: 7-7-99
 Seal of Professional Engineer of Construction Contract, including signature and date, thereby sealing record (as-built) drawings for accuracy of as-built condition reflected herein, must be placed below.

CONFORMED

CONTRACT SHEET No. 81 OF 95

REV	DATE	DESCRIPTION	BY	ENG	CHK	APP	REV	DATE	DESCRIPTION	BY	ENG	CHK	APP



SCALE	AS NOTED
DRAWN	P.R. HARBON
DESIGNED	V. BAND
CHECKED	K. BURKHOLDER
IN CHARGE	V. STEVENS
DATE	14 AUGUST 97

ADDISON TRANSIT CENTER
SIGN, LIGHT POLE, AND MISC. SUPPORT DETAILS