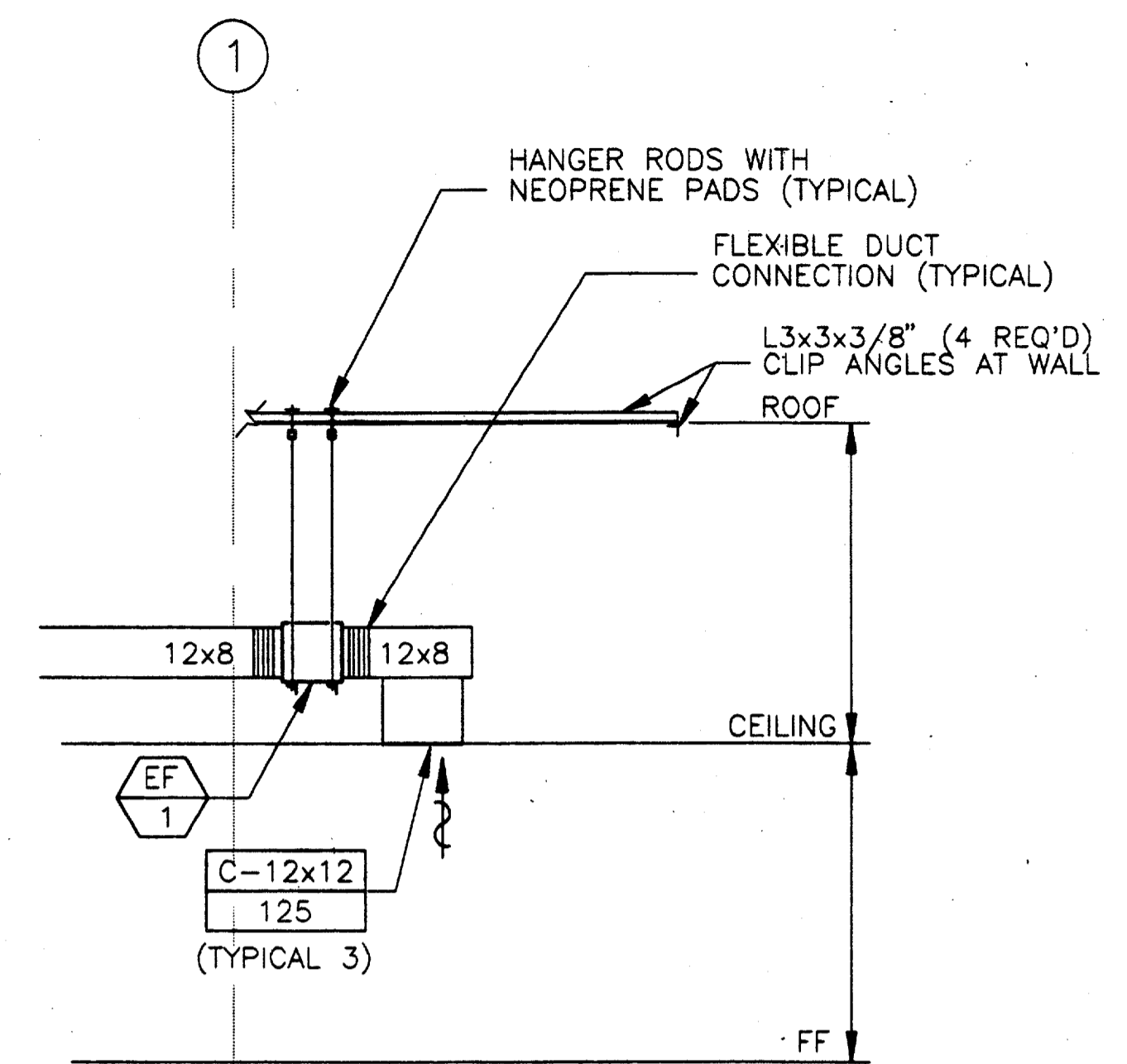
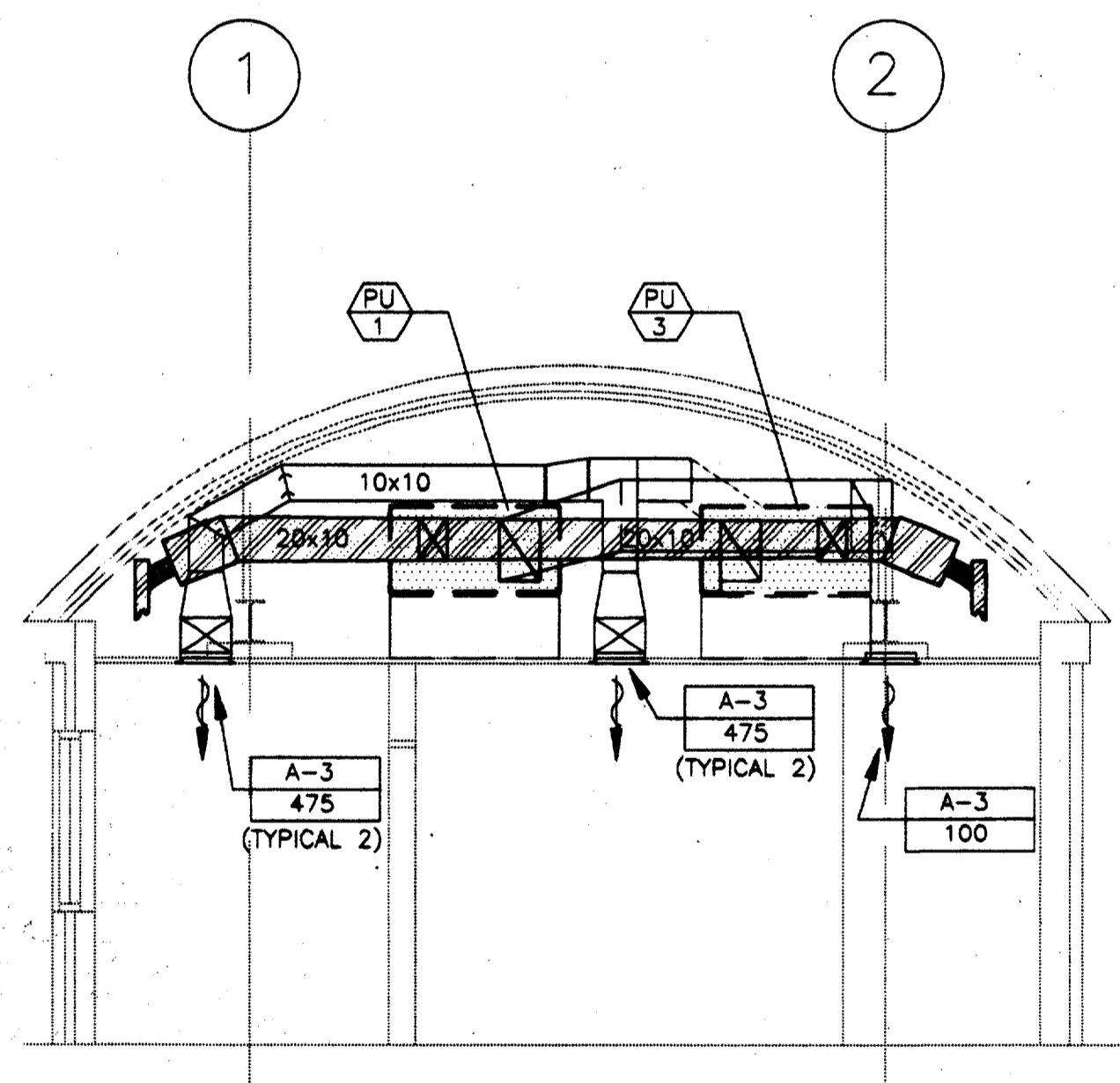


SOUTH ENCLOSURE HVAC SECTION 1
SCALE: 1/4" = 1'-0" MC2-0003

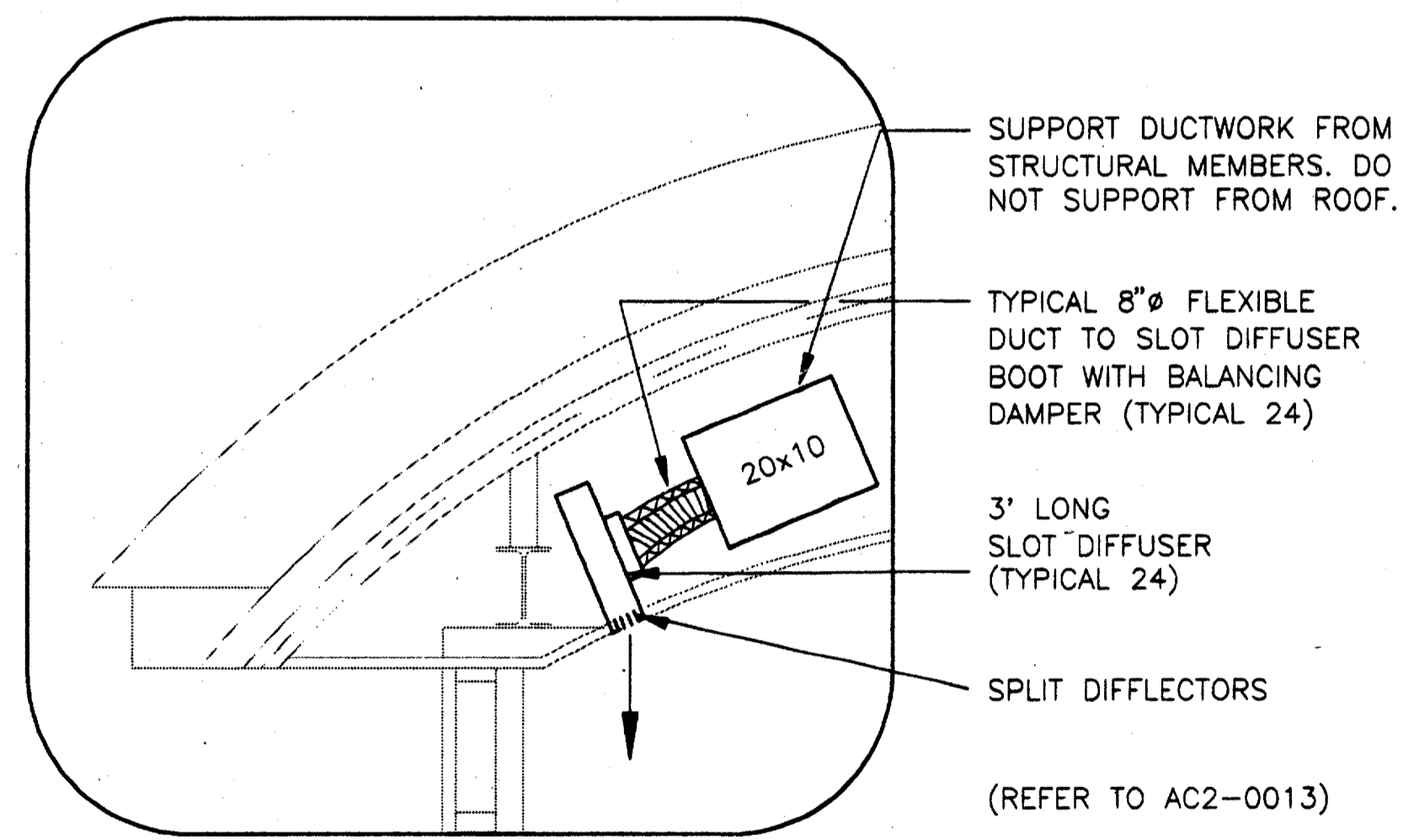


HANGING DETAIL - EXHAUST FAN 2
SCALE: 1/4" = 1'-0" MC2-0003

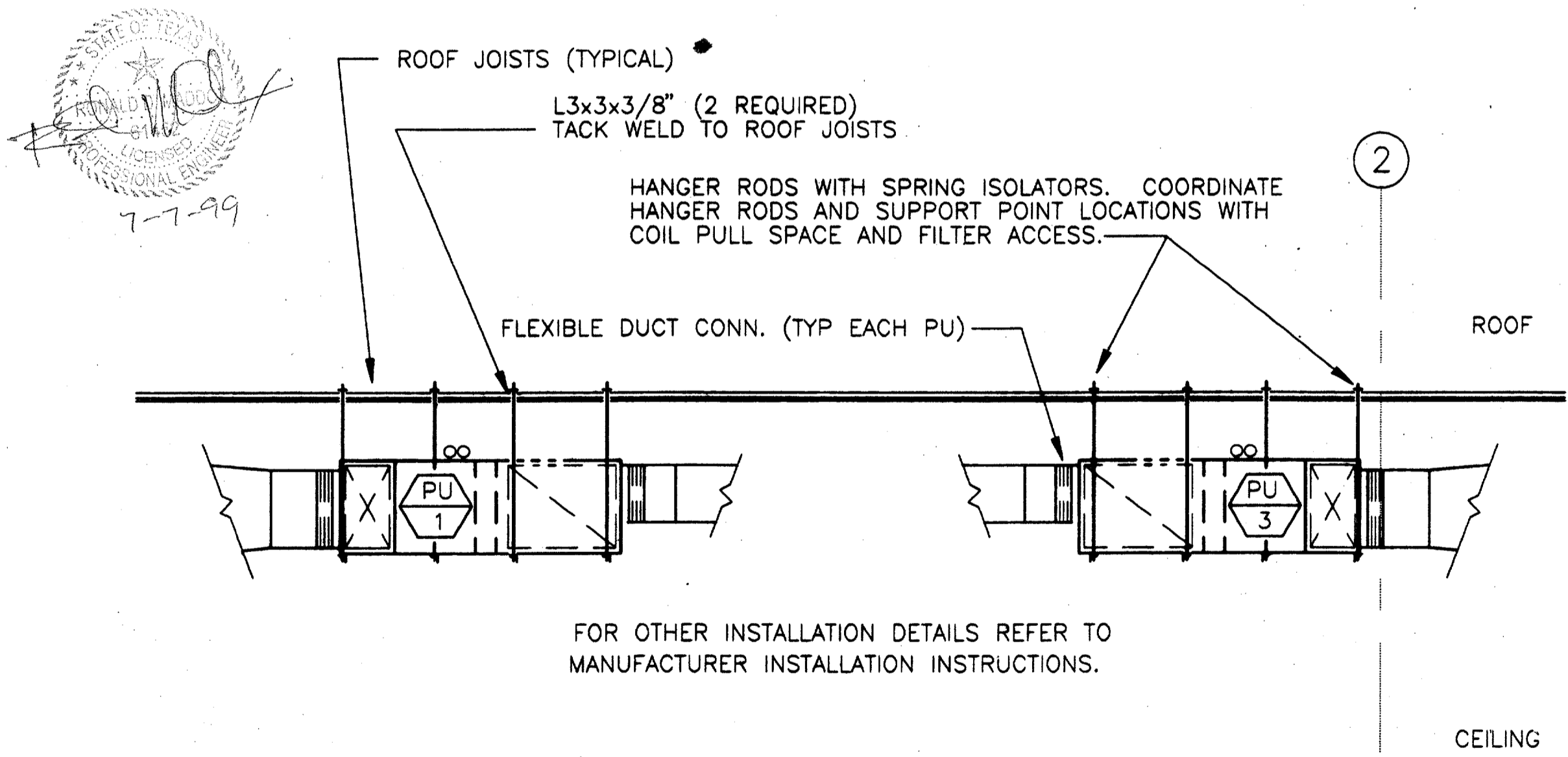
Record (As-Built) Certification
 "Having checked this submission, we certify that it conforms to the requirements of the contract in all respects, except as otherwise indicated."
 Contract Number: 97000136
 Company Name: *[Signature]*
 Title of Firm: *[Signature]*
 Date: *[Signature]*
 Title of Officer: *[Signature]*
 Seal of Professional Engineer of Construction Contractor, including signature and date. If any sealing record for built drawings for accuracy of as-built conditions reflected herein, must be placed below.



EAST ENCLOSURE HVAC SECTION 3
SCALE: 1/4" = 1'-0" MC2-0003



ENCLOSURE HVAC SECTION - SLOT DIFFUSER DETAIL 4
NOT TO SCALE MC2-0003

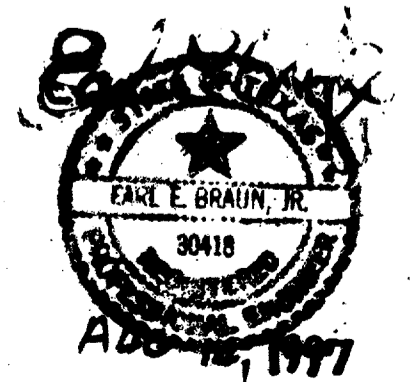


HANGING DETAILS - PU INSTALLATION 5
SCALE: 1/4" = 1'-0" MC2-0003

CONFORMED

CONTRACT SHEET No. 85 of 95

REV.	DATE	DESCRIPTION	BY	ENG.	CHK.	APP.	REV.	DATE	DESCRIPTION	BY	ENG.	CHK.	APP.



GERARD & ASSOCIATES
CONSULTING ENGINEERS
Mechanical Electrical Plumbing
Systems Design
4125 N. Central Expressway Dallas, TX 75204
(214) 528-8044 FAX (214) 528-0766

WLA
WENDY LOPEZ & ASSOCIATES, INC.
ENGINEERING • SURVEYING • CONSTRUCTION SERVICES
105 MARKET CENTER BLVD - SUITE 300
DALLAS, TEXAS 75207
(214) 748-7777

DART PROJECT

SCALE: NO SCALE
 DRAWN: P. JACKSON
 DESIGNED: E. BRAUN
 CHECKED: W. GERARD
 IN CHARGE: V. STEVENS
 DATE: 14-AUG-97

CAES CONTRACT C-97000136
 DWG. No. MC2-0003
ADDISON TRANSIT CENTER
 HVAC DETAILS
 REV. 0