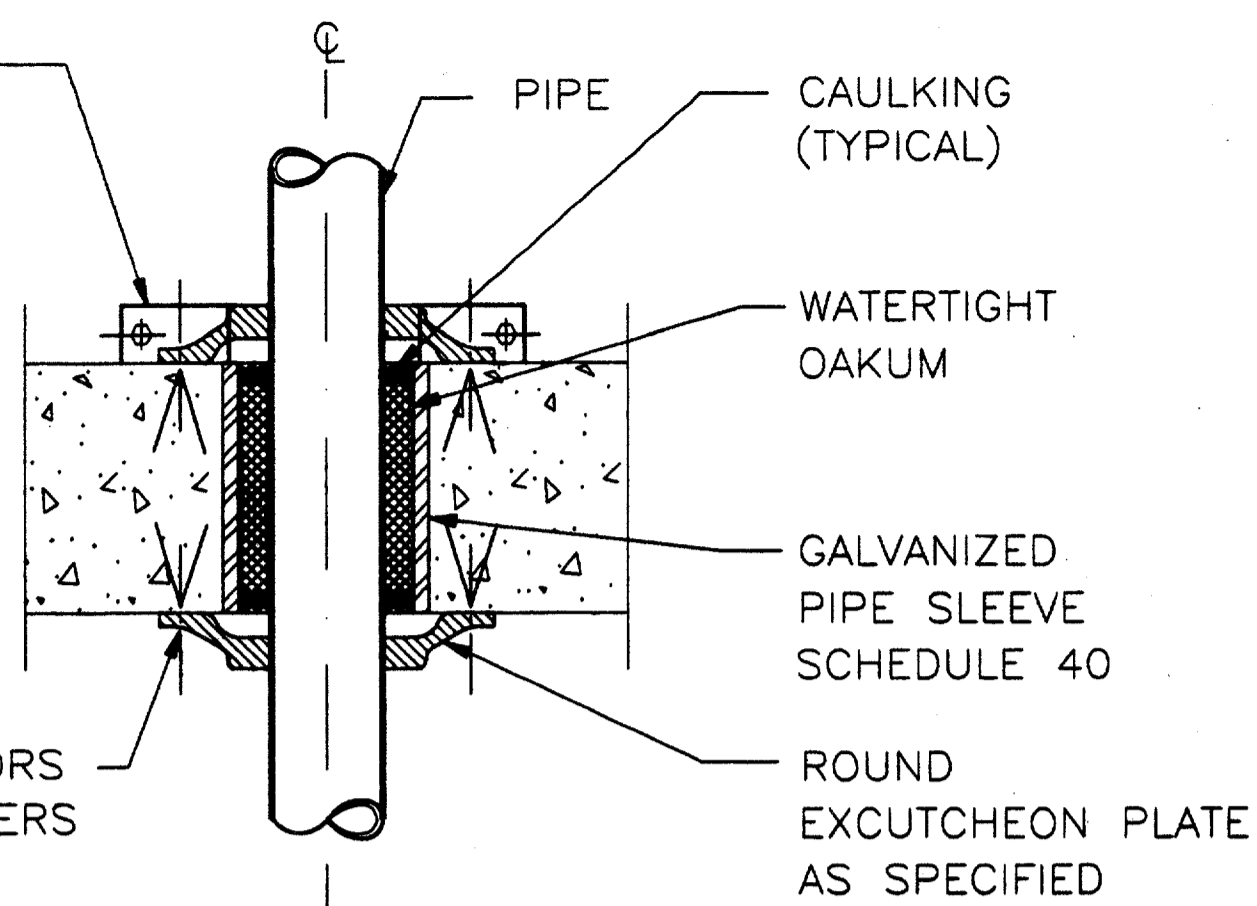
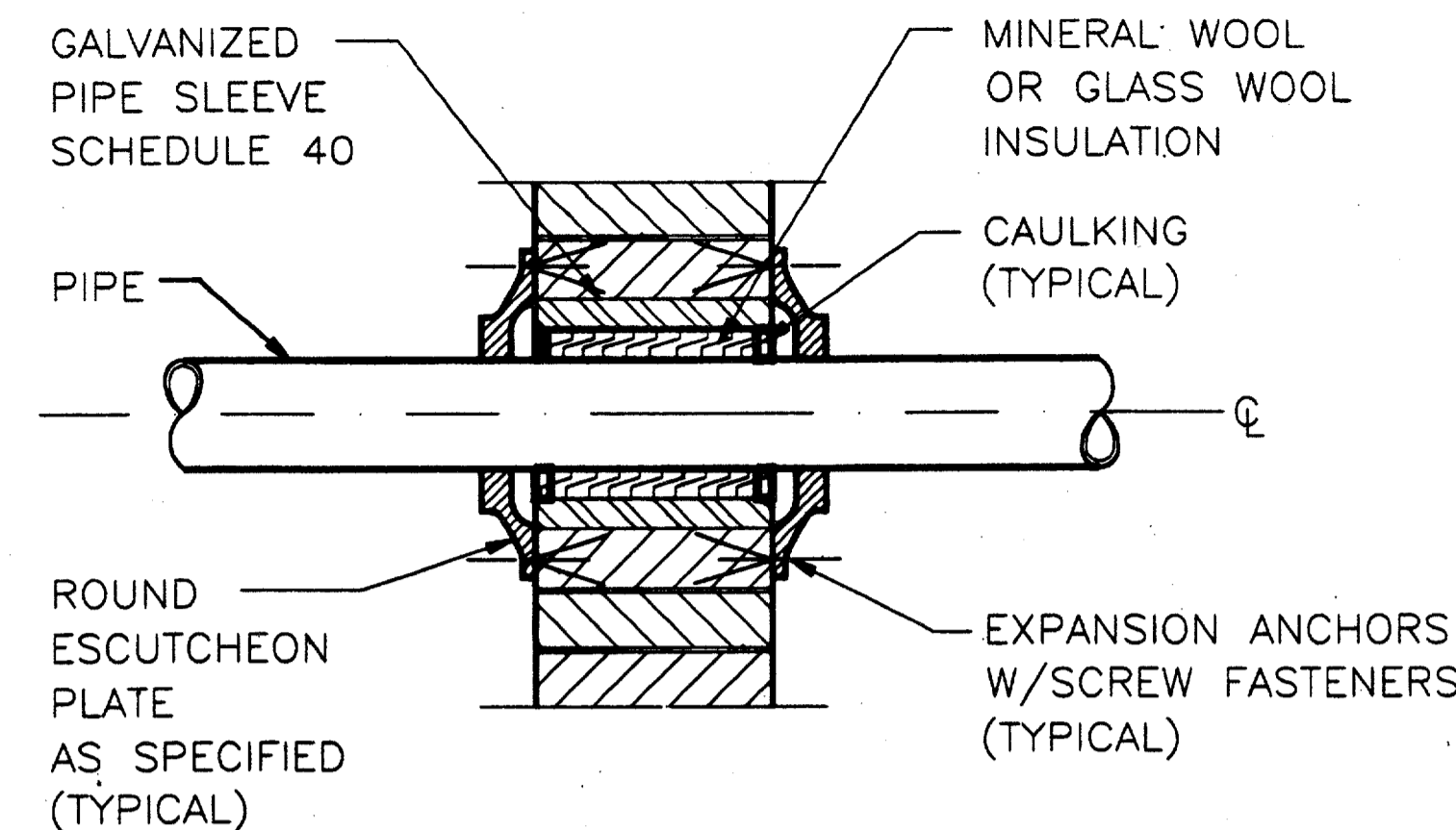


PIPE PENETRATION IN INTERIOR WALL 1
NOT TO SCALE MC2-0004

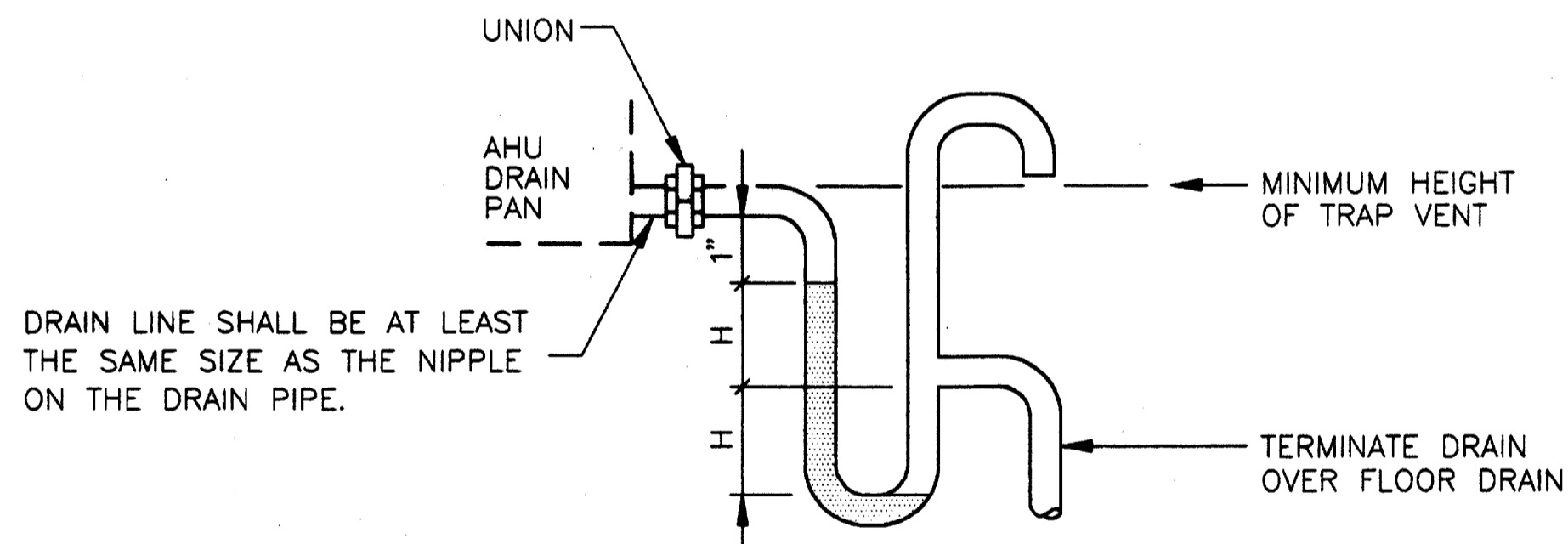
IF PIPE IS NOT SUPPORTED IN THE VICINITY OF PENETRATION USE STANDARD PIPE RISER CLAMP INSTEAD OF ESCUTCHEON PLATE



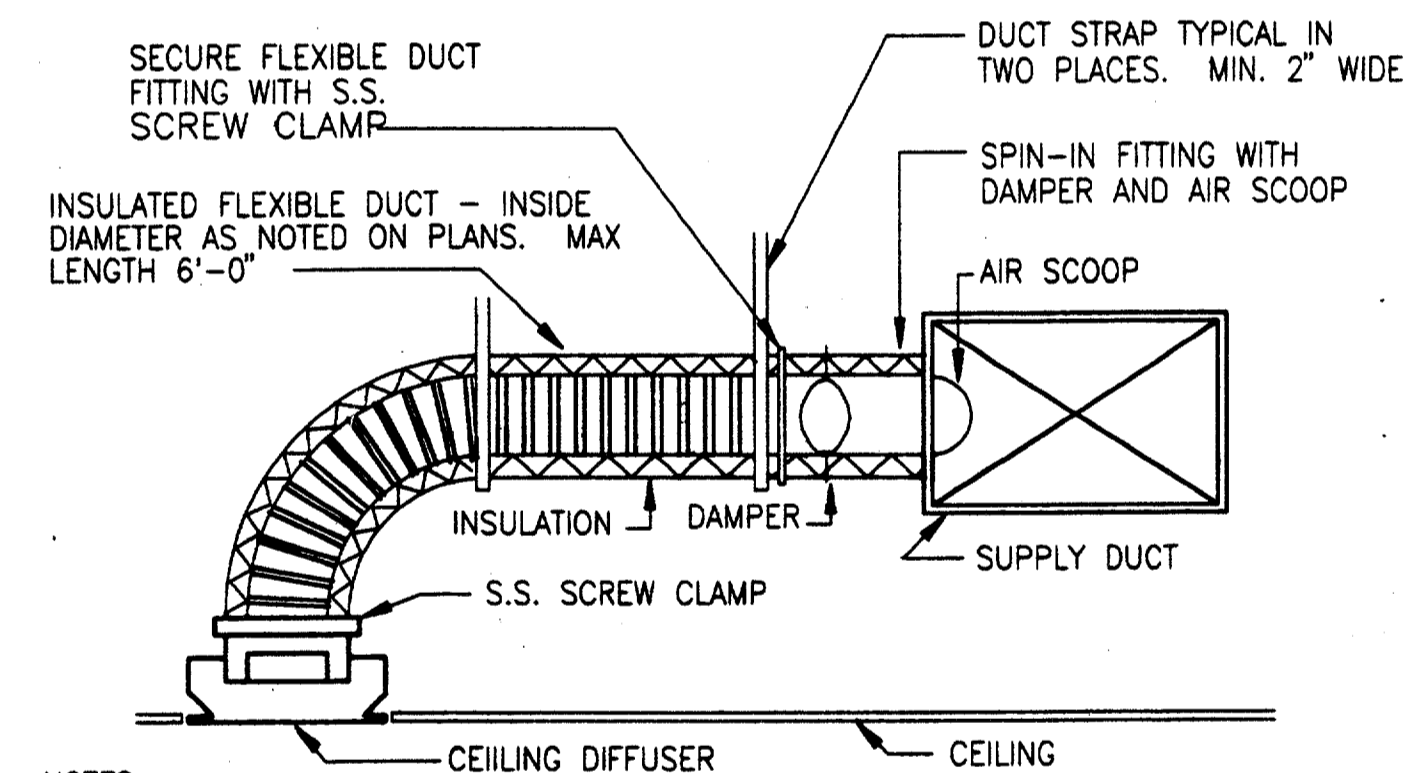
PIPE PENETRATION IN FLOOR SLAB 2
NOT TO SCALE MC2-0004



PIPE PENETRATION IN INTERIOR PARTITION 3
NOT TO SCALE MC2-0004



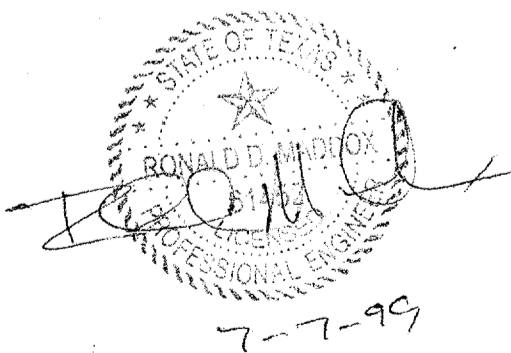
COIL TRAP DETAIL (DRAW-THRU UNIT) 4
NOT TO SCALE MC2-0004



NOTES:
 *FOR LENGTHS GREATER THAN 6'-0" USE EXTERNALLY INSULATED RIGID ROUND DUCT THE SAME SIZE AS THE FLEXIBLE DUCT FOR THE ADDITIONAL LENGTH.
 *FLEXIBLE DUCT SHALL BE UL181 APPROVED AND SHALL NOT BE KINKED OR SAGGED.
 *PROVIDE SPIN-IN FITTING FOR ALL ROUND FLEXIBLE DUCT CONNECTIONS TO RECTANGULAR DUCT. SPIN-IN FITTINGS SHALL BE FACTORY FABRICATED, AND INCLUDE AN AIR EXTRACTOR SCOOP AND A BALANCING DAMPER WITH A LOCKING QUADRANT AND HANDLE. BALANCING SHALL BE AT THE SPIN-IN FITTING AND NOT AT THE AIR DISTRIBUTION DEVICE.

DIFFUSER CONNECTION DETAIL 5
NOT TO SCALE MC2-0004

Record (As-built) Certification
 "Having checked this submission, we certify that it conforms to the requirements of the contract in all respects, except as otherwise indicated."
 Contract Number: 9700516
 Company Name: [Signature]
 Officer of Firm Signature: [Signature]
 Date: [Signature]
 Officer of Firm Name (typed): TOM KAOR
 Title of Officer (typed): PRESIDENT
 Seal of Professional Engineer of Construction Contractor, including signature and date, thereby sealing record (as-built drawings for accuracy or compliance) reflected herein, must be placed hereon.



REV.	DATE	DESCRIPTION	BY	ENG.	CHK.	APP.	REV.	DATE	DESCRIPTION	BY	ENG.	CHK.	APP.
△							△						
△							△						
△							△						
△							△						
△							△						
△							△						



GERARD & ASSOCIATES
 CONSULTING ENGINEERS
 Mechanical Electrical Plumbing
 Systems Design
 4125 N. Central Expressway Dallas, TX 75204
 (214) 528-8044 FAX (214) 528-0766

WINDY LOPEZ & ASSOCIATES, INC.
 ENGINEERING • SURVEYING • CONSTRUCTION SERVICES
 205 MARKET CENTER BLVD - SUITE 200
 DALLAS, TEXAS 75201
 (972) 740-7777

DART PROJECT



SCALE: NO SCALE
 DRAWN: P. JACKSON
 DESIGNED: E. BRAUN
 CHECKED: W. GERARD
 IN CHARGE: V. STEVENS
 DATE: 14-AUG-97



CONFORMED

CONTRACT SHEET No. 86 of 95

ADDISON TRANSIT CENTER

HVAC DETAILS

CONTRACT C-97000136

DWG. No. MC2-0004

REV. 0