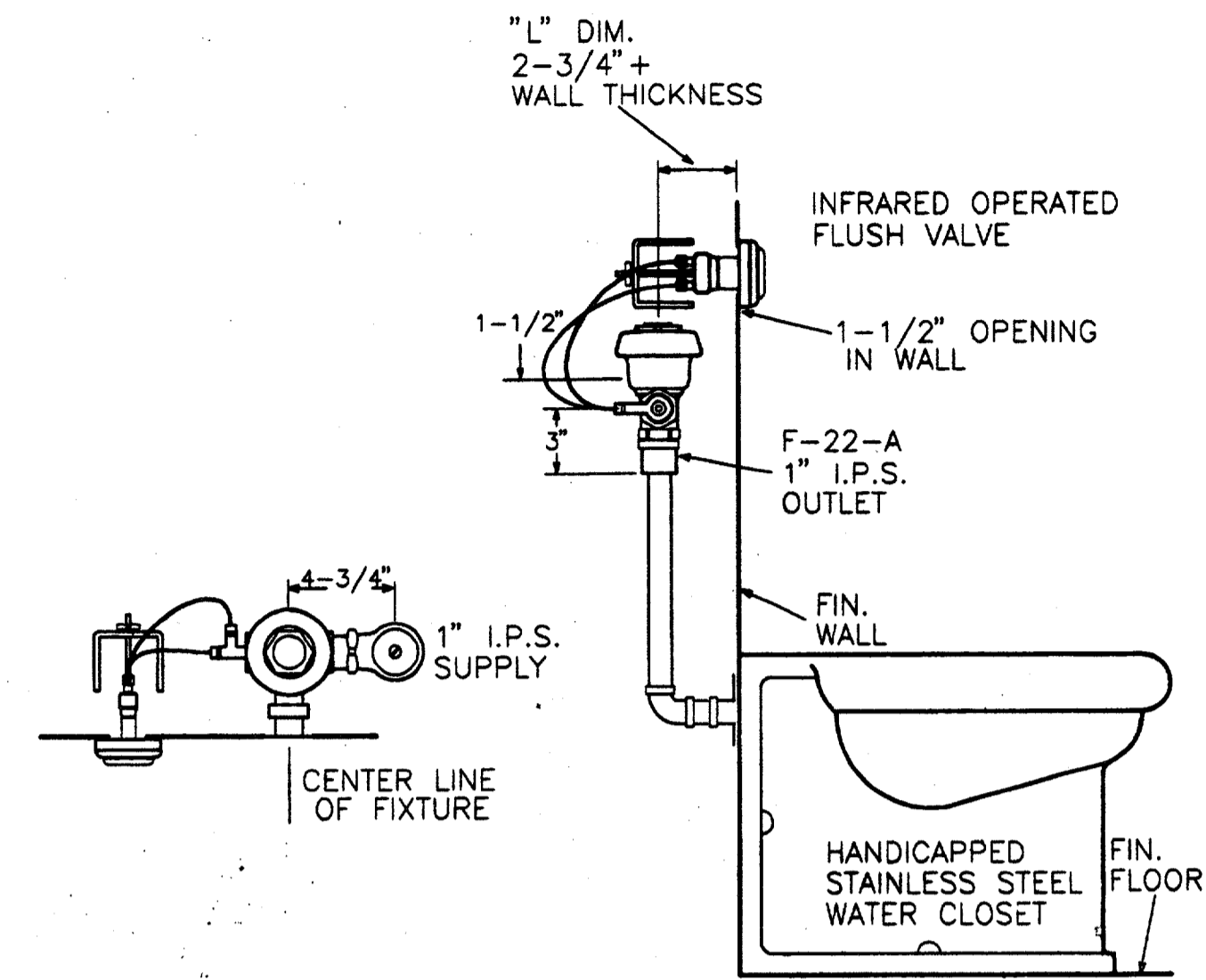
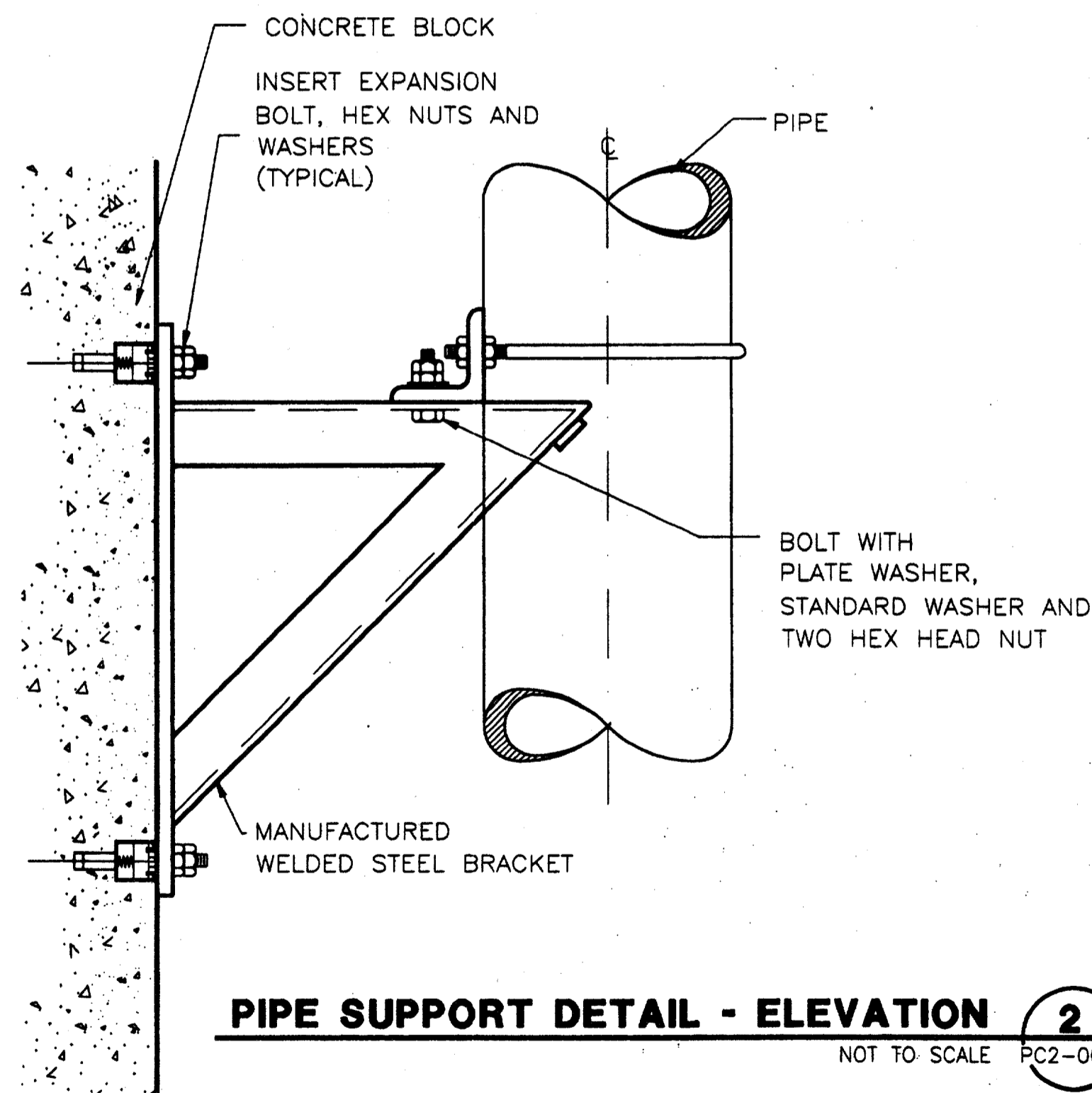


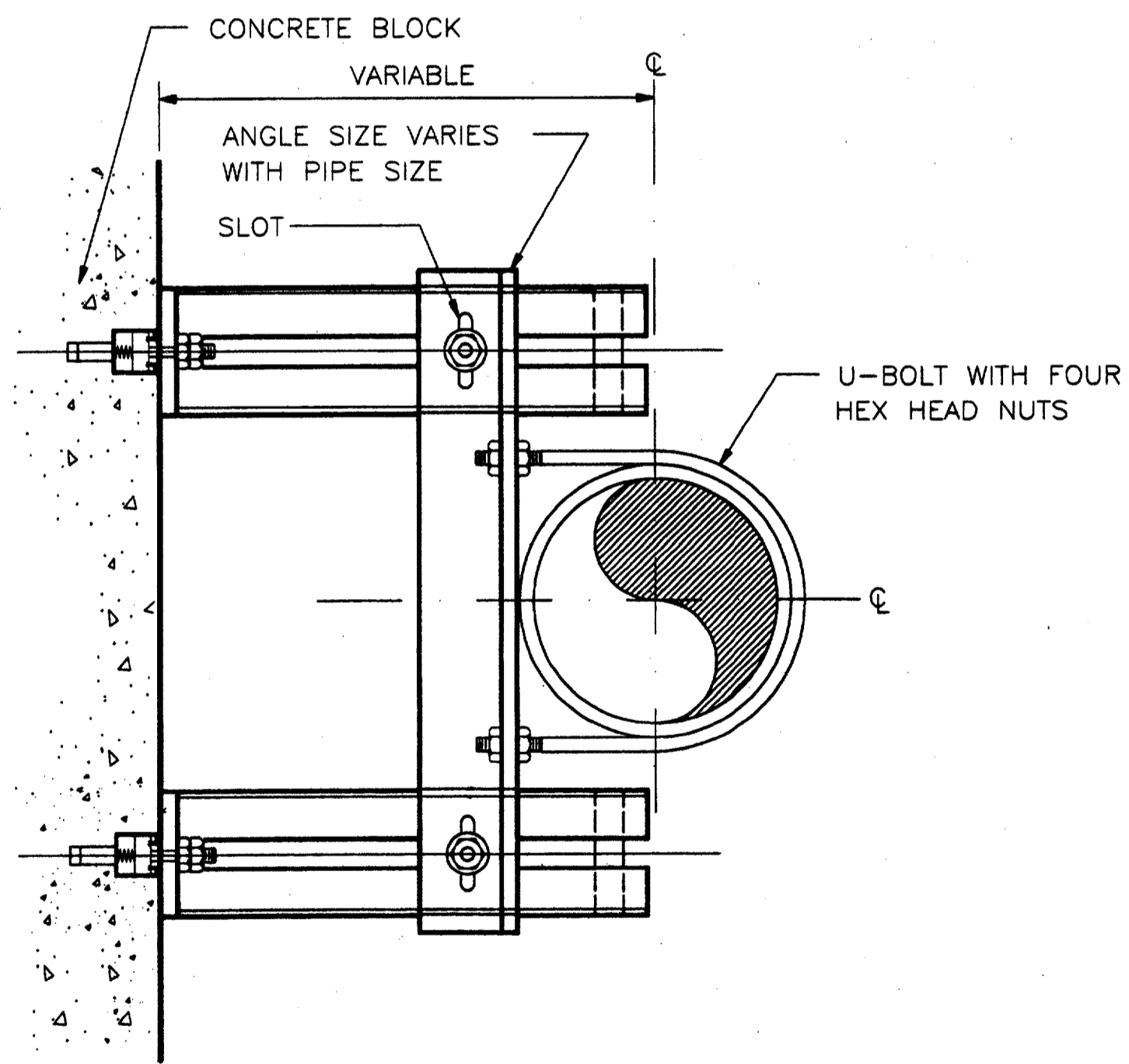
**FLOOR DRAIN 1**  
NOT TO SCALE PC2-0002



**WATER CLOSET CONCEALED INSTALLATION 4**  
NOT TO SCALE PC2-0003



**PIPE SUPPORT DETAIL - ELEVATION 2**  
NOT TO SCALE PC2-0003



**PIPE SUPPORT DETAIL - PLAN 3**  
NOT TO SCALE PC2-0003

Record (As-built) Certification  
Having checked this submission, we certify that it conforms to the requirements of the contract in all respects, except as otherwise indicated.  
Contract Number: 97000136  
Company Name: WEA  
Contractor's Signature: [Signature]  
Title: PRESIDENT  
Date: 7-2-97  
Seal of Professional Engineer of Construction Contractor, including signature, and date, properly reading record as-built drawings for accuracy of as-built conditions reflected herein, must be placed below.

**CONFORMED**

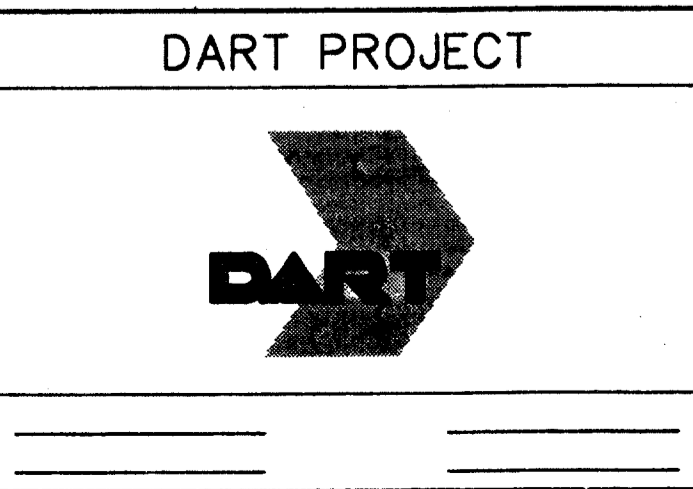
CONTRACT SHEET No. 90 of 95

| REV. | DATE | DESCRIPTION | BY | ENG. | CHK. | APP. | REV. | DATE | DESCRIPTION | BY | ENG. | CHK. | APP. |
|------|------|-------------|----|------|------|------|------|------|-------------|----|------|------|------|
| △    |      |             |    |      |      |      | △    |      |             |    |      |      |      |
| △    |      |             |    |      |      |      | △    |      |             |    |      |      |      |
| △    |      |             |    |      |      |      | △    |      |             |    |      |      |      |
| △    |      |             |    |      |      |      | △    |      |             |    |      |      |      |
| △    |      |             |    |      |      |      | △    |      |             |    |      |      |      |
| △    |      |             |    |      |      |      | △    |      |             |    |      |      |      |



**GERARD & ASSOCIATES**  
CONSULTING ENGINEERS  
Mechanical Electrical Plumbing  
Systems Design  
4125 N. Central Expressway Dallas, TX 75204  
(214) 528-6044 FAX (214) 528-0766

**WLA**  
**WINDY LOPEZ & ASSOCIATES, INC.**  
ENGINEERING • SURVEYING • CONSTRUCTION SERVICES  
125 MARKET CENTER BLVD - SUITE 200  
DALLAS, TEXAS 75207  
(214) 748-7777



SCALE: NO SCALE  
DRAWN: P. JACKSON  
DESIGNED: E. BRAUN  
CHECKED: W. GERARD  
IN CHARGE: V. STEVENS  
DATE: 14-AUG-97

**CAES**  
CONTRACT C-97000136  
DWG. No. PC2-0003  
REV. 0

**ADDISON TRANSIT CENTER**  
**PLUMBING DETAILS**