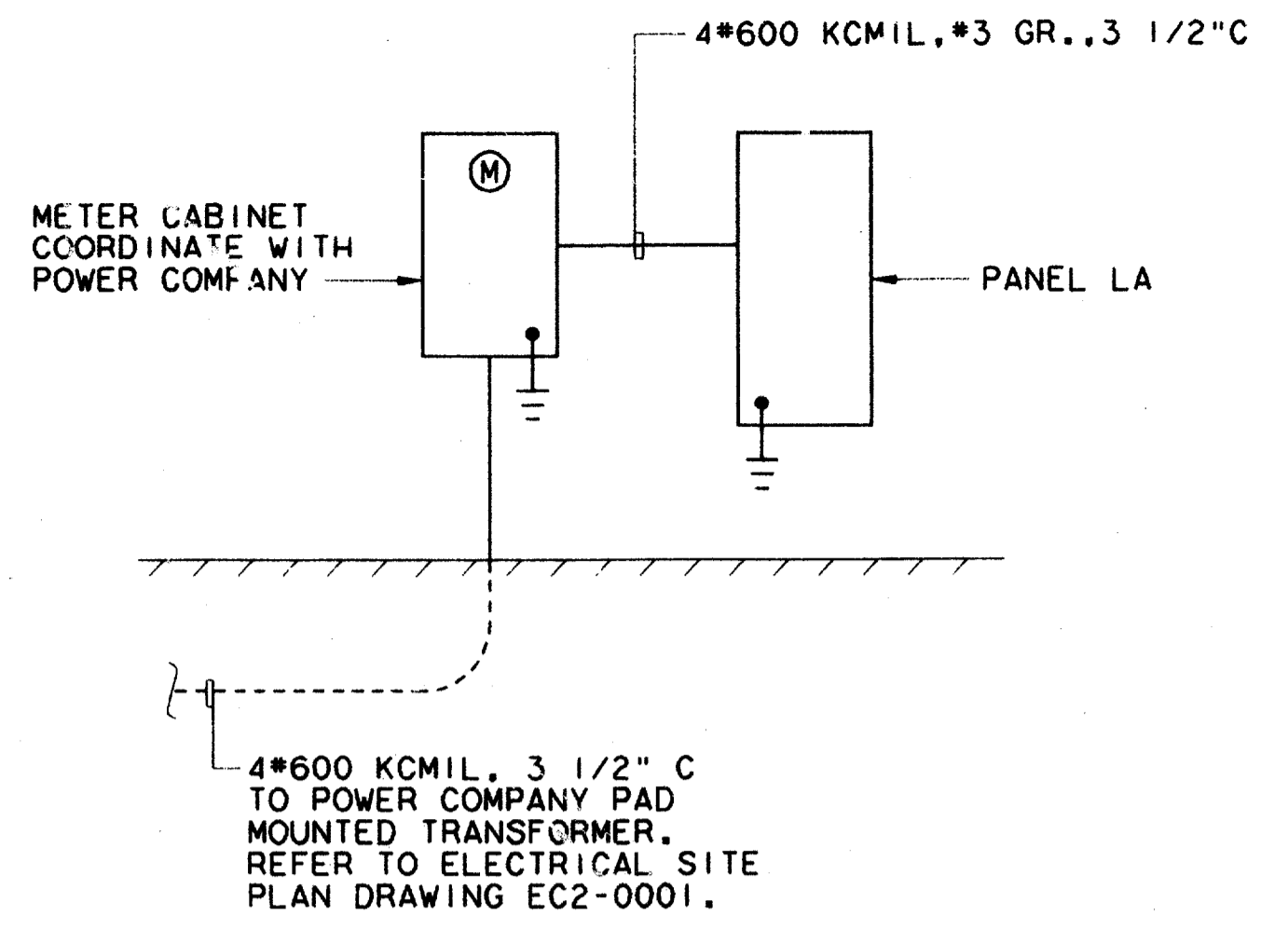
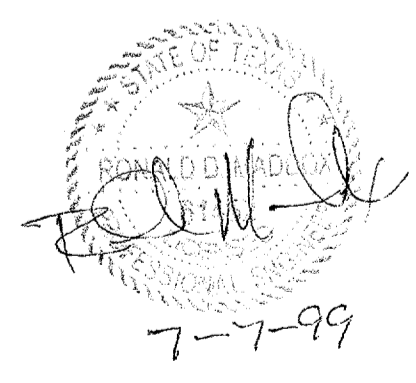


\$\$\$\$\$\$SPECIFICATION\$\$\$\$\$\$\$\$
 \$\$\$\$SYTIME\$\$\$\$\$\$
 \$\$\$PRF\$\$\$
 \$\$\$USERNAME\$\$\$
 \$\$\$ROT\$\$\$
 \$\$\$PEN\$\$\$
 \$\$\$FILE6\$\$\$
 \$\$\$FILE7\$\$\$
 \$\$\$FILE8\$\$\$
 \$\$\$FILE9\$\$\$
 \$\$\$FILE10\$\$\$
 \$\$\$FILE11\$\$\$
 \$\$\$FILE12\$\$\$
 \$\$\$FILE13\$\$\$
 \$\$\$FILE14\$\$\$
 \$\$\$FILE15\$\$\$
 \$\$\$FILE16\$\$\$
 \$\$\$FILE17\$\$\$
 \$\$\$FILE18\$\$\$
 \$\$\$FILE19\$\$\$
 \$\$\$FILE20\$\$\$

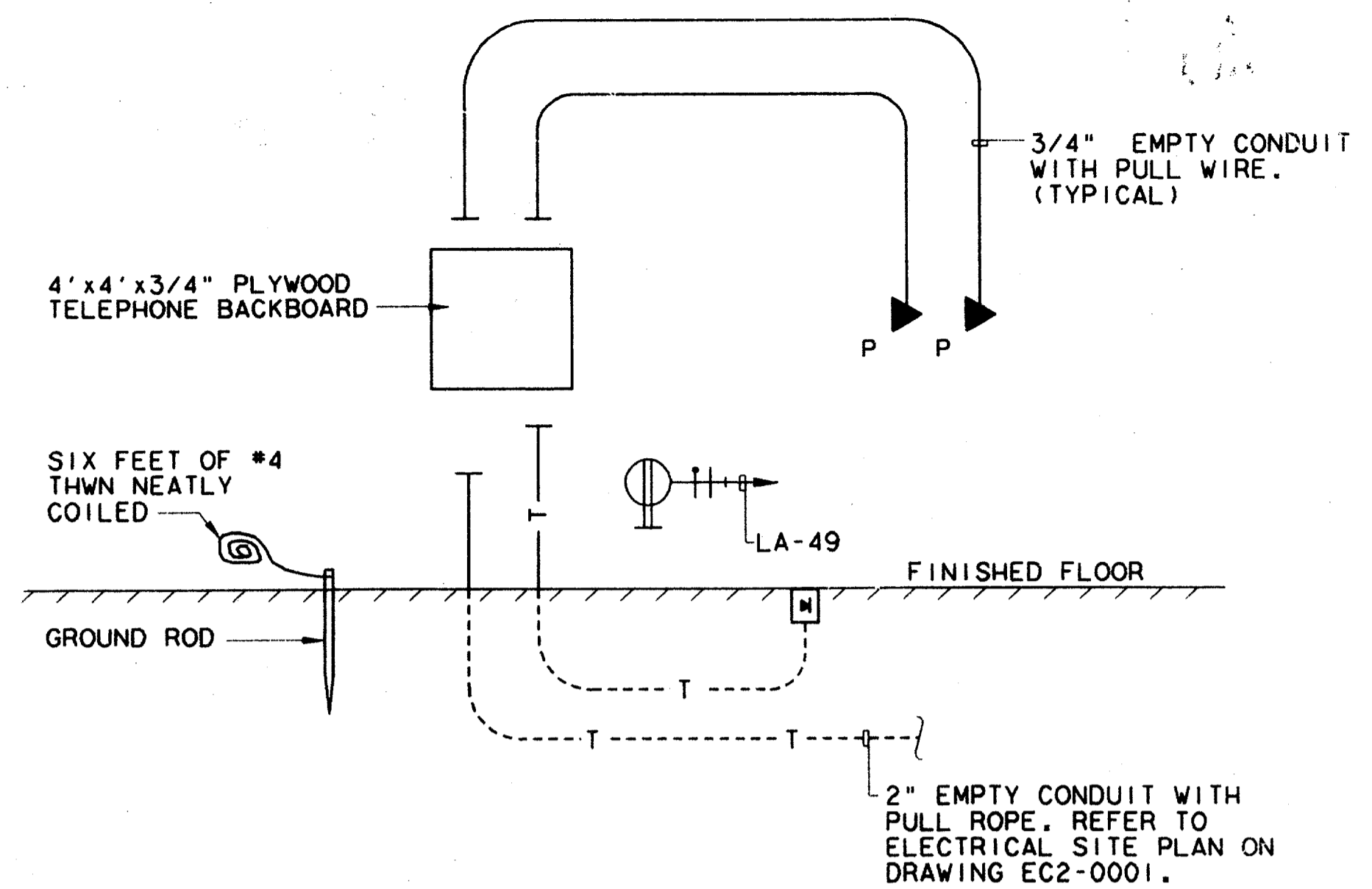
P000-203 DDM No. GMD

PANEL LA										
120/208 VOLT 3 PHASE 4 WIRE SURFACE MOUNTED										
400 AMP MCB NEMA 1 30,000 AIC										
SERVES	W OR VA	BRKR.	NO.	A	B	C	NO.	BRKR.	W OR VA	SERVES
PU-1 (HEATING)	5,814	80	1	●			2	80	5,814	PU-2 (HEATING)
	5,814		3		●		4		5,814	
	5,814	3	5			●	6	3	5,814	
PU-3 (HEATING)	5,814	80	7	●			8	40	3,072	PU-1 (COOLING)
	5,814		9		●		10		3,072	
	5,814	3	11			●	12	3	3,072	
PU-2 (COOLING)	3,072	40	13	●			14	40	3,072	PU-3 (COOLING)
	3,072		15		●		16		3,072	
	3,072	3	17			●	18	3	3,072	
SPACE	—	—	19	●			20	20	1,613	EXTERIOR LIGHTING
	—		21		●		22		1,613	
	—	3	23			●	24	20	1,505	
EXTERIOR LIGHTING	1,613	20	25	●			26	2	1,505	
	1,613	2	27		●		28	20	1,613	
	1,505	20	29			●	30	2	1,613	
	1,505	2	31		●		32	20	1,505	
EXTERIOR LIGHTING	1,613	20	33	●			34	2	1,505	
	1,613	2	35		●		36	20	1,505	
EXTERIOR LIGHTING	1,290	20	37	●			38	2	1,505	
	1,290	2	39		●		40	20	580	EMERGENCY LIGHTING
SPACE	—	—	41	●			42	—	—	SPACE
LIGHTING	1,050	20	43	●			44	20	1,050	LIGHTING
	1,050	20	45		●		46	20	1,050	
	600	20	47			●	48	20	144	EXTERIOR LIGHTING
TELEPHONE BACKBOARD	1,000	20	49	●			50	30/20	1,800	HAND DRYER
RECEPTACLES	1,080	20	51	●			52	30/20	1,800	
AUTO. DOOR POWER	400	20	53	●			54	20	200	PLUMB FIXTURE CTRLS
EWI	1,744	20	55	●			56	20	200	EF-1
	1,744	2	57		●		58	20	100	CONTACTOR CONTROLS
VENDING MACHINE	1,000	20	59	●			60	20	1,000	EWC
	1,000	20	61	●			62	20	1,000	TELEPHONE EWC
RECEPTACLE	180	20	63	●			64	20	—	SPACE
SPACE			65	●			66			SPACE
			67	●			68			
			69	●			70			
			71	●			72			
			73	●			74			
			75	●			76			
			77	●			78			
			79	●			80			
			81	●			82			
			83	●			84			

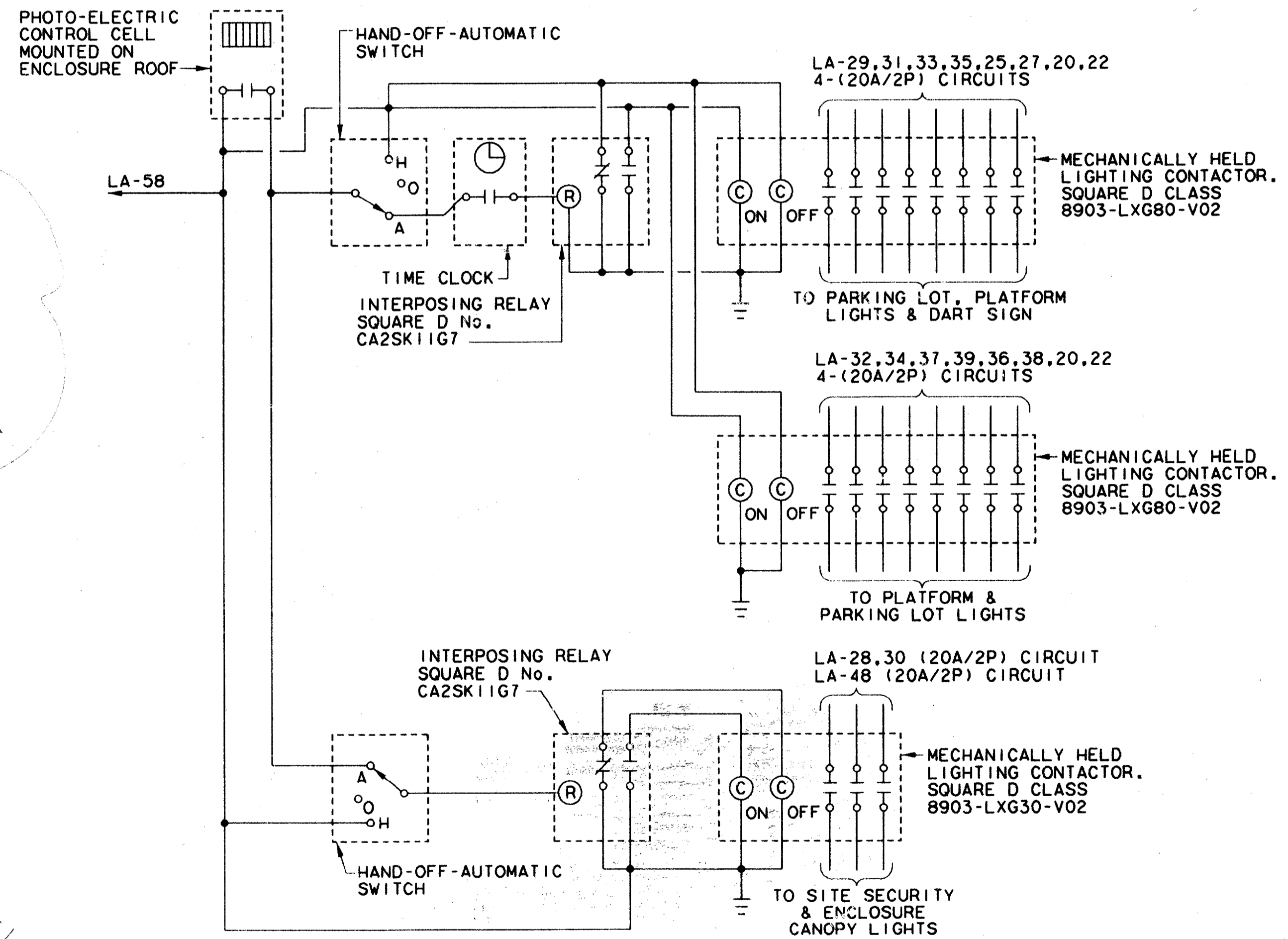
Record (As-Built) Certification
 I have checked this submission, we certify that it conforms to the requirements of the contract in all respects, except as otherwise indicated.
 Designer/Author: *[Signature]*
 Checker/Reviewer: *[Signature]*
 Officer of Firm Signature: *[Signature]*
 Date: *[Date]*
 Office of Firm Name (Typed): *[Name]*
 Title or Office (Typed): *[Title]*
 Seal of Professional Engineer of Construction Contractor, including signature and date, thereby sealing record (as-built) drawings for accuracy of as-built conditions reflected herein, must be placed below.



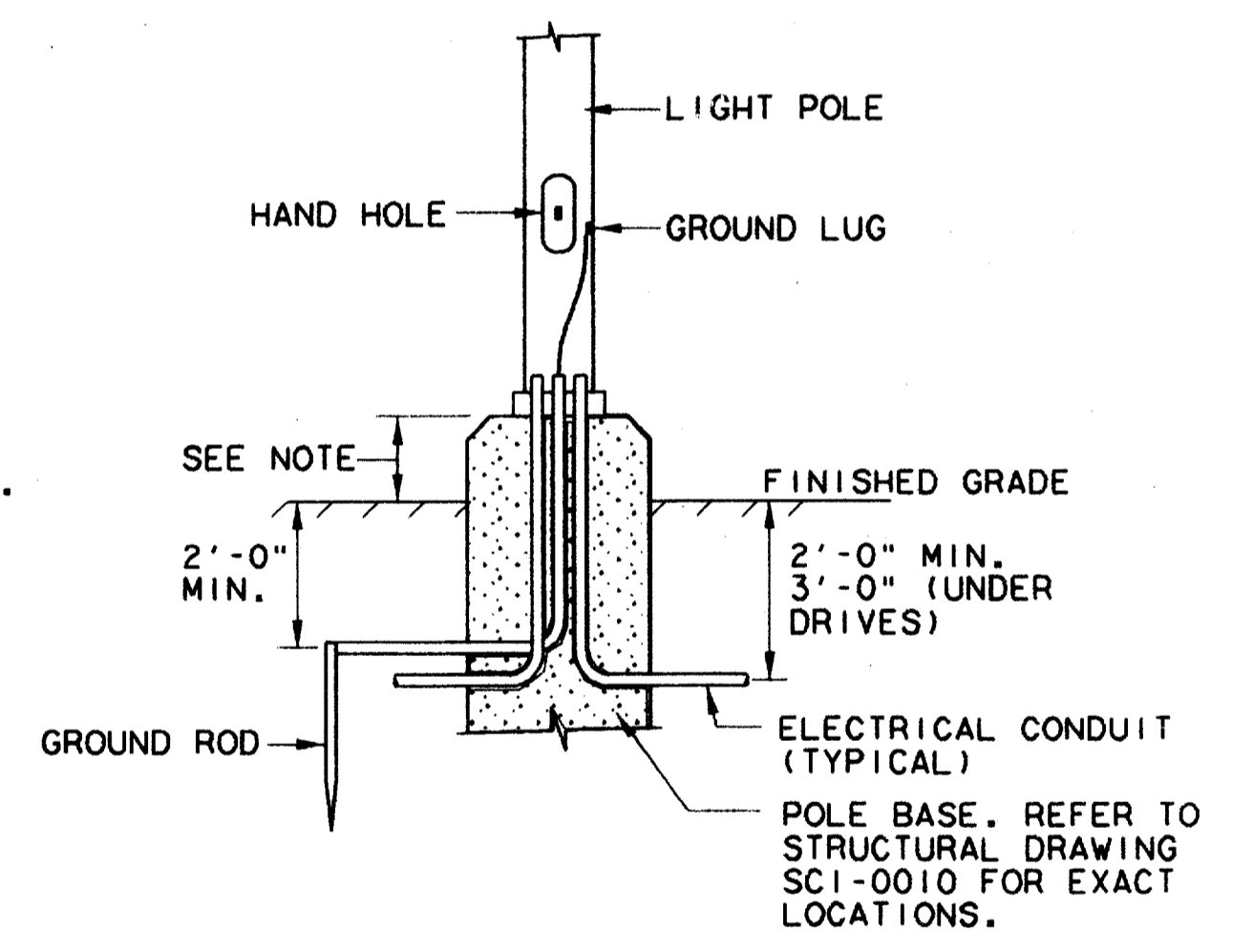
ELECTRICAL RISER DIAGRAM 03
N.T.S.



TELEPHONE RISER DIAGRAM 04
N.T.S.



SCHEMATIC CONTACTOR WIRING DIAGRAM 02
N.T.S.



LIGHT POLE BASE DETAIL 01
N.T.S.

NOTE: REFER TO STRUCTURAL DRAWING SCI-0010 FOR DIMENSION.

CONFORMED

CONTRACT SHEET No. 95 OF 95

REV	DATE	DESCRIPTION	BY	ENG	CHK	APP	REV	DATE	DESCRIPTION	BY	ENG	CHK	APP
△	8/30/93	RECORD AS-BUILT SUBMITTAL	ROM		DLW								
△													
△													
△													
△													

GERARD & ASSOCIATES
 CONSULTING ENGINEERS
 Mechanical Electrical Plumbing
 Systems Design
 409 Centre Dallas, Texas 75208 12147946-6404

WLA
WENDY LOPEZ & ASSOCIATES, INC.
 ENGINEERING • SURVEYING • CONSTRUCTION SERVICES
 1025 MARKET CENTER BLVD - SUITE 510
 DALLAS, TEXAS 75207
 (214) 766-7777

DART PROJECT
DART

SCALE AS SHOWN
 DRAWN P. LLOYD
 DESIGNED W. GERARD
 CHECKED W. GERARD
 IN CHARGE V. STEVENS
 DATE 12 AUG 97

ADDISON TRANSIT CENTER SCHEDULES, DETAILS & RISER DIAGRAMS
 CONTRACT C-97000135
 DWG No EC2-0004
 REV 0

-B1CELO4.004
 -B1CBOR1.008 BORDER
 \$\$\$FILE3\$\$\$
 \$\$\$FILE4\$\$\$
 \$\$\$FILE5\$\$\$