

MATCH LINE P-201 SHEET R57

EXIST. 12" W. TO BE RELOCATED

P5 629.97 P201 629.35

P4 630.13 P201 629.51

P3 630.47 P201 629.85

P2 631.09 P201 630.48

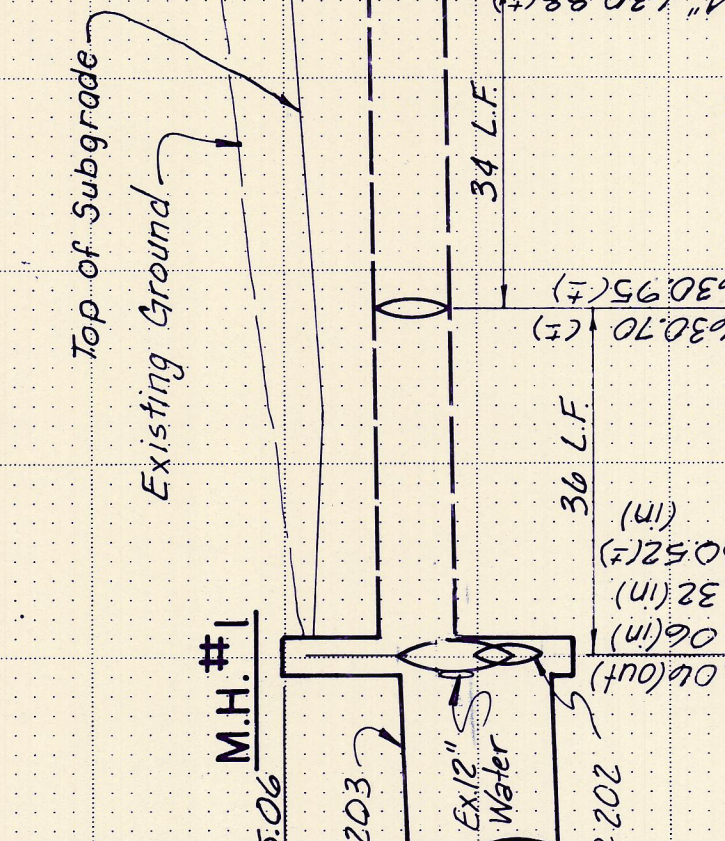
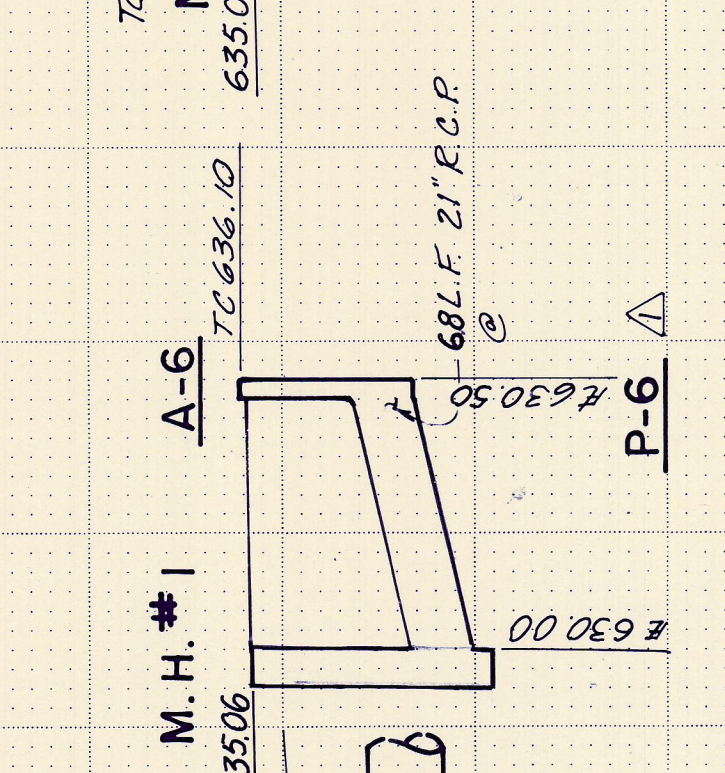
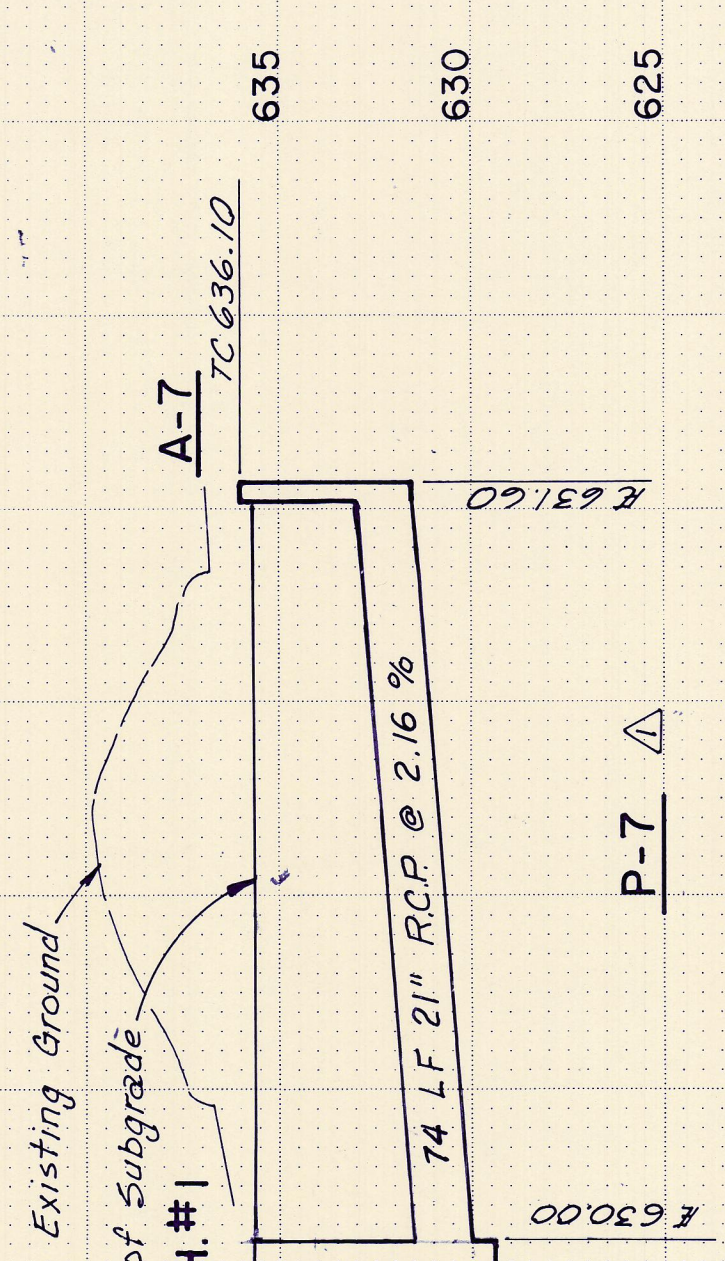
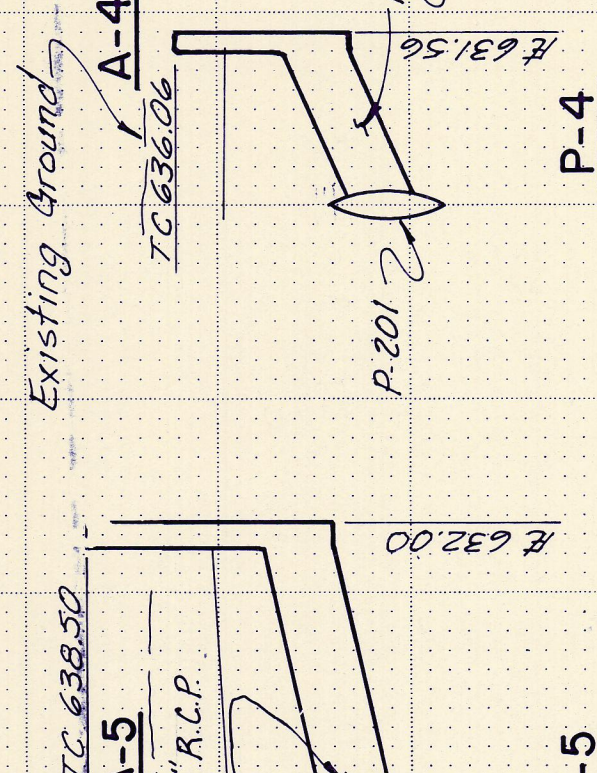
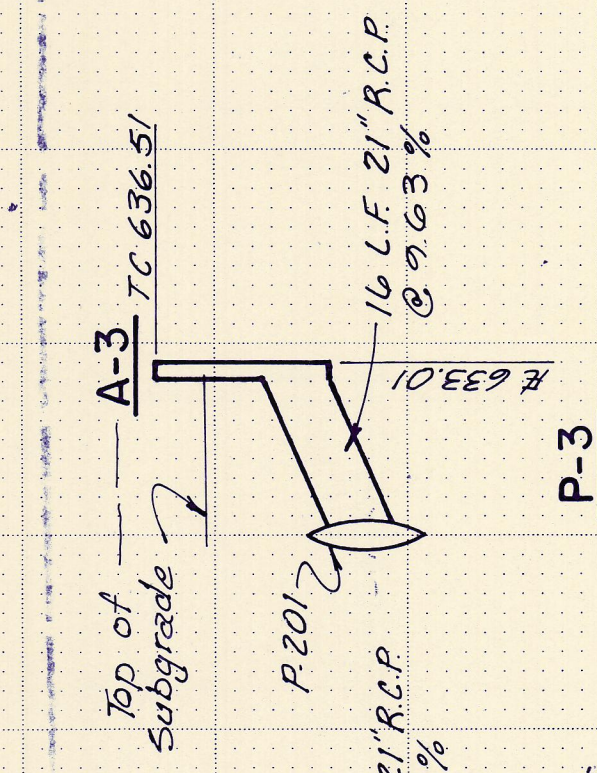
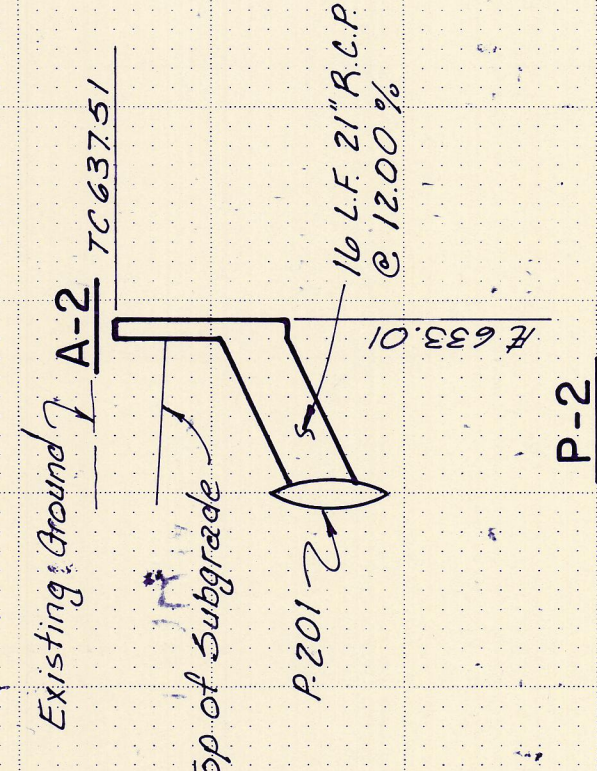
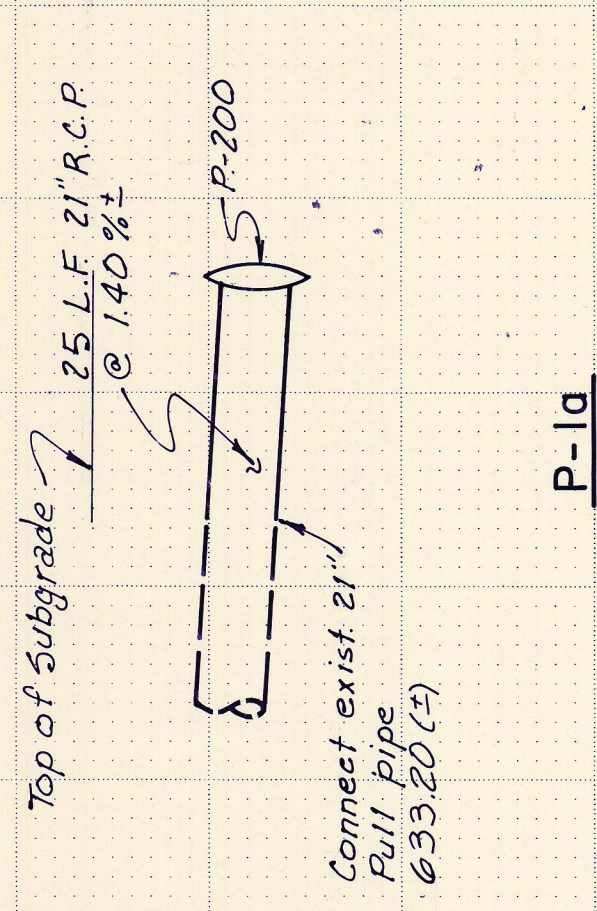
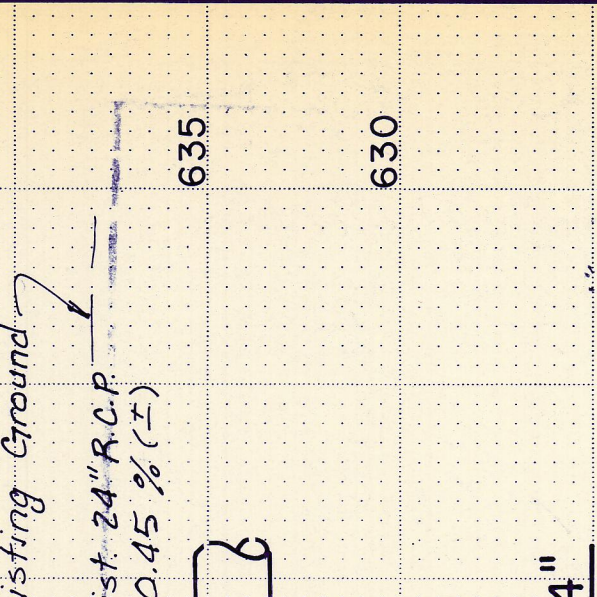
P200 630.73

P1 632.62 P200 632.37

P1a 632.85 P200 632.35

P1 632.80 (cut) EXIST. 24" 633.30 (2)(M)

TC 639.28



Note: 1. ALL R.C.P. to be Class III unless noted

2. See sheet R50 for horizontal location of pipes.

NO.	REVISION	BY	DATE

M.H.#1

P-1
P-1a
P-2
P-3
P-4
P-5
P-6
P-7
P-200
P-201

AS BUILT PLANS

CONTRACT NO. DNT-114 SHEET R56 of R103

TEXAS TURNPIKE AUTHORITY

DALLAS NORTH TOLLWAY

STORM SEWER PROFILE

Turner Collier & Braden Inc.

SECTION VII

DATE 7-83

SCALE 1" = 20' (V) 1" = 9'

CONTRACT NO. DNT-114 SHEET R56 of R103