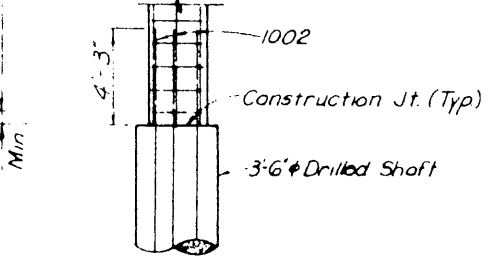
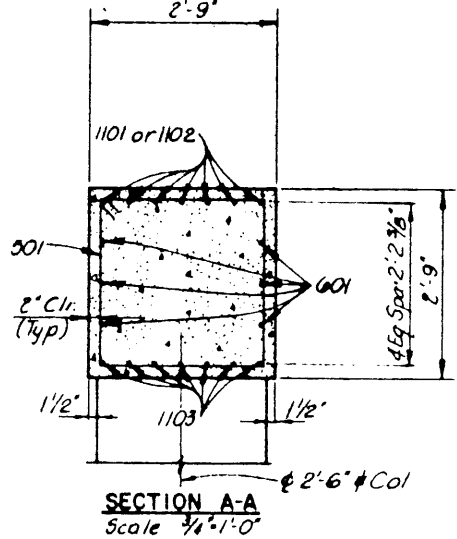
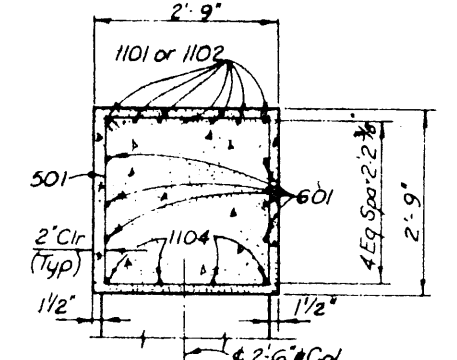
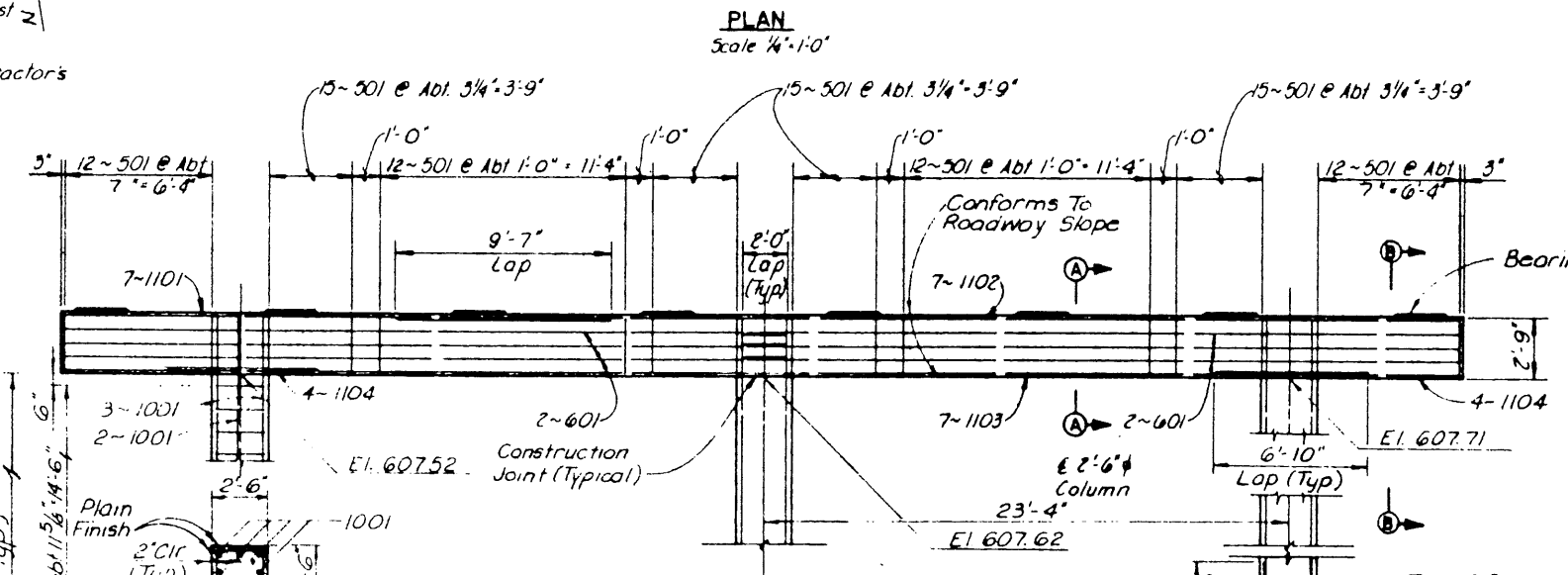
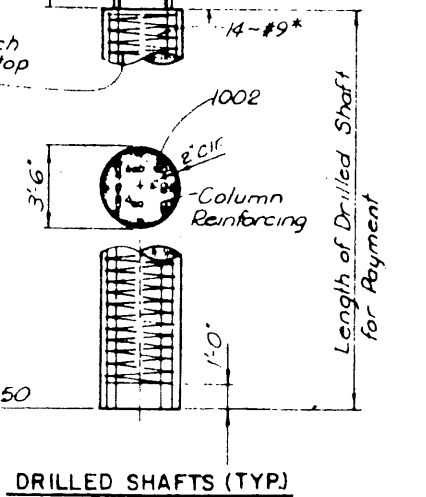


Note  
Cap beam may be cast along chord between exterior and center columns at the contractor's option.

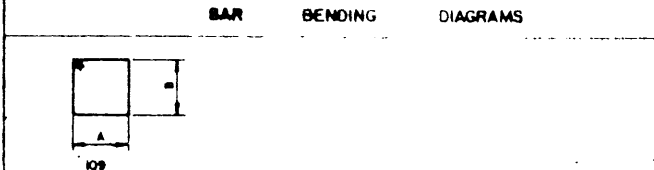


\* Note  
The cost of reinforcing steel to be included in the price bid for drilled shafts  
Bottom of drilled shaft elevation is approximate and should be varied as required to provide 8'-0" minimum penetration into unweathered rock measured from top of finished grade



- NOTES:
- All concrete shall be Class "C",  $f_c = 3600$  psi. psi. chamfer all exposed corners 3/4" unless otherwise noted.
  - All reinforcing steel shall be ASTM A615, Grade 60.
  - Dimensions relating to reinforcing steel are to outside dimension of bar, with radii shown to the inside of bar.
  - For details and dimensions of concrete Bearing Seat see Sheet No 5-40.
  - Average calculated drilled shaft load - 175 Tons / Shaft
  - For Under Bridge Lighting Conduit Details, see Standard Drawing No 36 and Foundation Plan drawing.

| REINFORCEMENT |     | BAR    |      | SCHEDULE |       |   | D or R | WEIGHT |
|---------------|-----|--------|------|----------|-------|---|--------|--------|
| MARK          | NO. | LENGTH | TYPE | A        | B     | C |        |        |
| 501           | 108 | 10'-6" | 109  | 2'-5"    | 2'-5" |   | Total  | 1183   |
| 601           | 12  | 32'-0" | Str. |          |       |   | Total  | 577    |
| 1101          | 7   | 24'-2" | Str. |          |       |   |        | 899    |
| 1102          | 7   | 47'-6" | Str. |          |       |   |        | 1767   |
| 1103          | 7   | 53'-6" | Str. |          |       |   |        | 1990   |
| 1104          | 8   | 11'-7" | Str. |          |       |   |        | 471    |
|               |     |        |      |          |       |   | Total  | 5127   |
| 1001          | 24  | 17'-9" | Str. |          |       |   |        | 1833   |
| 1002          | 24  | 8'-6"  | Str. |          |       |   |        | 878    |
|               |     |        |      |          |       |   | Total  | 2711   |
| 401           | 48  | 9'-4"  | 109  | 2'-2"    | 2'-2" |   | Total  | 299    |
|               |     |        |      |          |       |   | Total  | 9897   |



| ITEM NO | DESCRIPTION             | UNIT | QUANTITY |
|---------|-------------------------|------|----------|
| 416     | Drilled Shaft (42" dia) | LF   | 23       |
| 421     | Class C Concrete (Bent) | CY   | 28.4     |
| 440     | Reinforcing Steel       | Lbs  | 9897     |

| LOCATION |       | BEARING SEAT ELEVATIONS |        |        |        |        |        |        |        |
|----------|-------|-------------------------|--------|--------|--------|--------|--------|--------|--------|
|          |       | BEAM NUMBERS            |        |        |        |        |        |        |        |
| SPAN     | BENT  | 9                       | 10     | 11     | 12     | 13     | 14     | 15     | 16     |
| 1        | South | 610.37                  | 610.40 | 610.44 | 610.48 | 610.51 | 610.55 | 610.58 | 610.61 |
| 2        | South | 610.38                  | 610.42 | 610.46 | 610.49 | 610.53 | 610.56 | 610.60 | 610.63 |

NO. \_\_\_\_\_ REVISION \_\_\_\_\_ BY \_\_\_\_\_ DATE \_\_\_\_\_

TEXAS TURNPIKE AUTHORITY  
DALLAS NORTH TOLLWAY

ARAPAHO ROAD UNDERPASS  
BENT DETAIL - SOUTH

TurnerCollie & Braden Inc. SECTION VI  
(Consulting Engineers)

DRAWN DRD DATE 5-83 DESIGNED FRW DATE 5-83  
CHECKED JRA DATE 6-83 ALI AS NOTED

CONTRACT NO. DNT-114 SHEET S-43 OF S-82