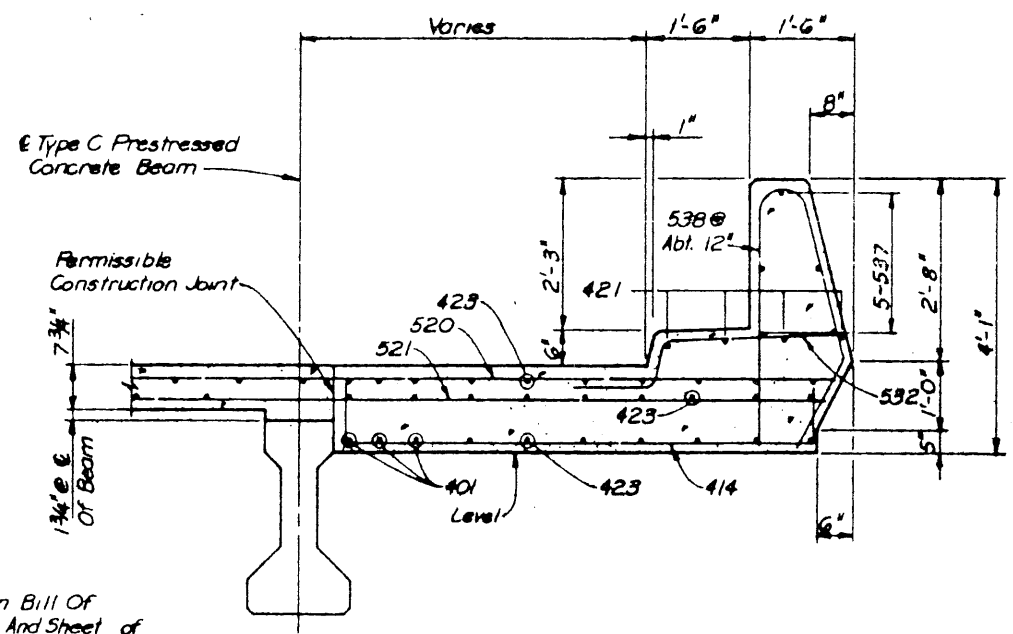


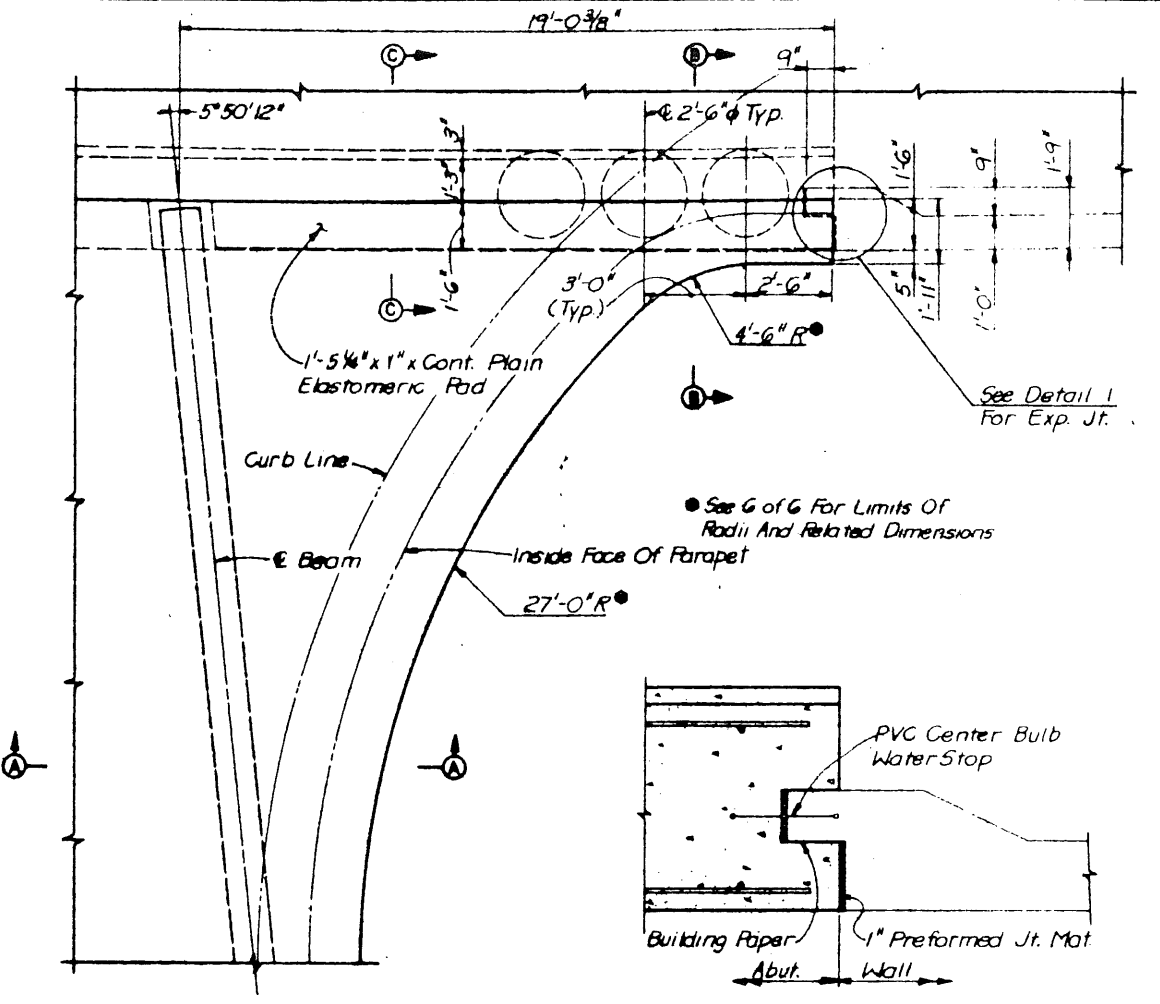
△ These Bars Are Included In Bill Of Reinf. For Abut., Sheet of And Sheet of

Northwest Corner	Bars	#
Northwest Corner	Bars	535
Northeast Corner	Bars	536
Southwest Corner	Bars	536
Southeast Corner	Bars	535

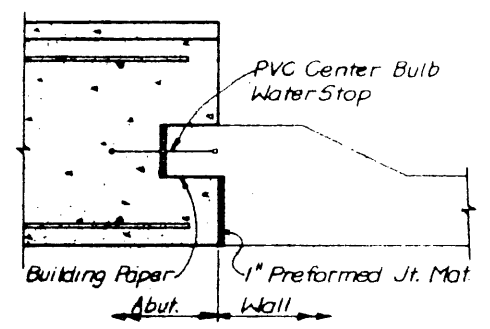


SECTION A-A
NORTHWEST CORNER
Scale: 3/4" = 1'-0"

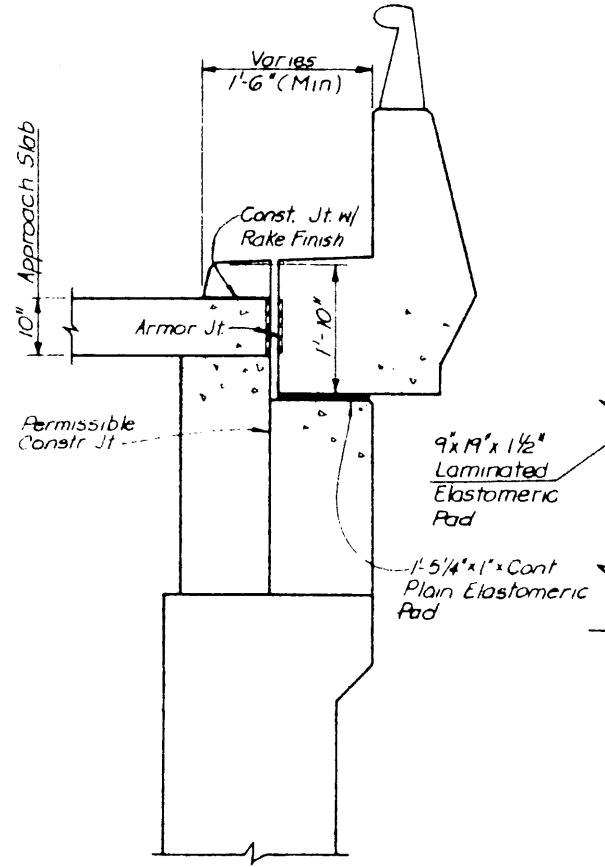
NOTE: 1. All Bars Shown Are Included In Bill Of Reinforcing Steel For North Slab, Except As Noted.
2. Diagonal Reinforcement, Not Shown For Clarity, See Sheet Nos. S-46 and S-47.



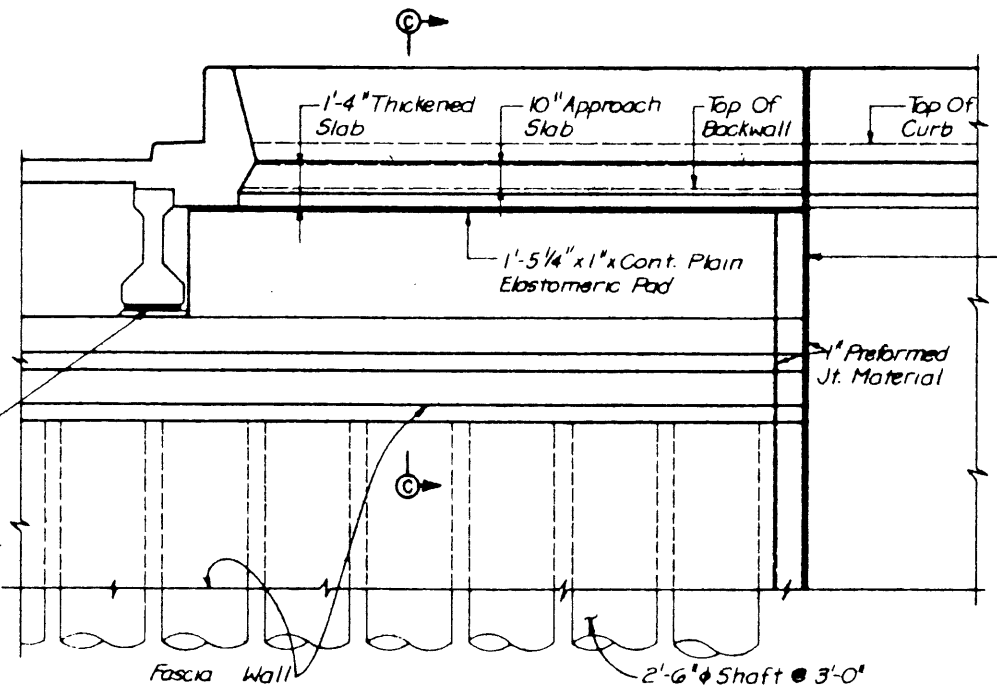
PLAN
NORTHWEST CORNER
Scale: 3/8" = 1'-0"



DETAIL 1
Scale: 3/4" = 1'-0"



SECTION B-B
Scale: 3/4" = 1'-0"



ELEVATION
AT NORTHWEST SLAB CORNER
Scale: 3/8" = 1'-0"

- General Notes:**
- Concrete To Be Class C. Design Strength $f_c = 1200$ psi. Steel Reinforcement To Be ASTM A615, Grade 60.
 - For Aluminum Combination Rail (Type C4) Details, See Standard Drawing No. 33.
 - For Slab Elevations And Dead Load Deflections, See Sheet No. S-52.
 - For Armor Jt. Details, See Standard Drawing No. 28.
 - For Type A Curb Details, See Standard Drawing No. 11.
 - For Sidewalk Details And Dimensions, See Sheet No. R-40.

NO.	REVISION	BY	DATE
TEXAS TURNPIKE AUTHORITY DALLAS NORTH TOLLWAY			
ARAPAHO ROAD UNDERPASS MISC. THICKENED SLAB DETAILS			
Turner Collier & Braden Inc. Consulting Engineers			SECTION VI
DRAWN	RGD	DATE	6-83
CHECKED	FRW	DATE	7-83
		DESIGNED	LL
		DATE	6-83
SCALE AS NOTED			
CONTRACT NO. DNT-114 SHEET S-49 OF S-82			