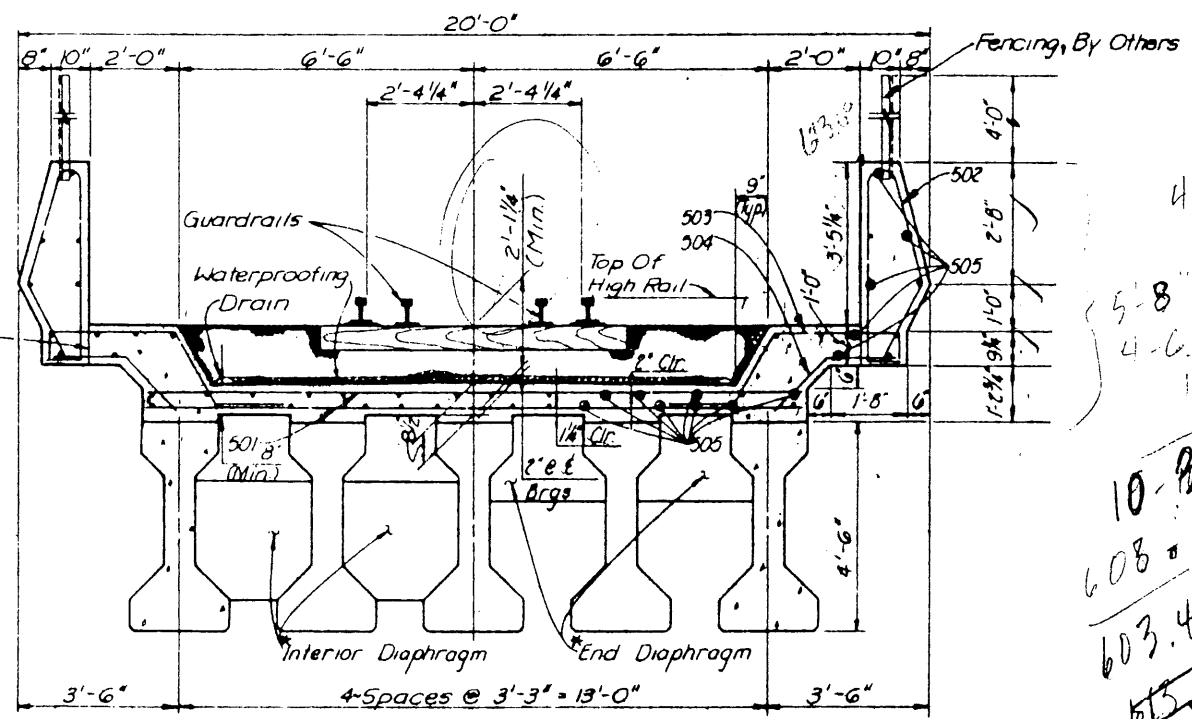


Note: Bars 503, 504, & 505 To Be Field Cut In Area Of Mask Wall. For Mask Wall Details, See Abutment Details, Sheet No. S-57.

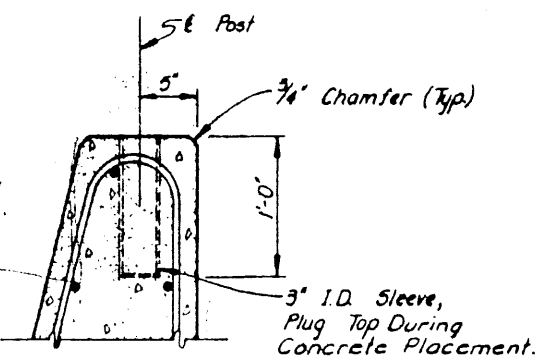
PLAN
Scale: 1/4" = 1'-0"
(Span No. 2 Shown, Span No. 1 Opposite Hand)

⊙ To Be Provided Between Mask Wall & Standard Sub Section

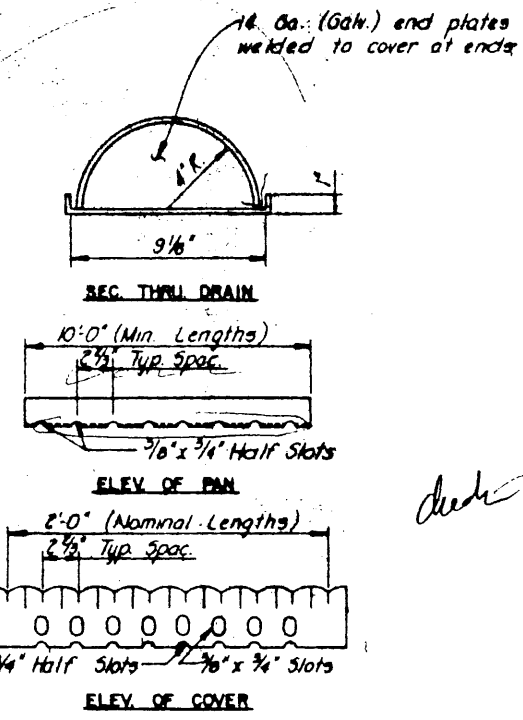


SECTION A-A
Scale: 1/2" = 1'-0"

* For Diaphragm Details, See Sheet No. S-62



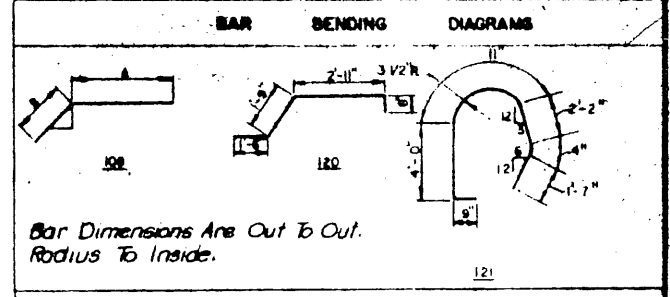
POST HOLE DETAIL
Scale: 1/4" = 1'-0"



DRAIN DETAILS
N.T.S.

Drain Cover: 14 Ga. Min. made from Std 8" x 6MP.
Drain Pan: 12 Ga. Min. Steel (Galvanized)
Drains shall be installed continuously throughout entire length of structure.

REINFORCEMENT		BAR		SCHEDULE				WEIGHT
MARK	NO. REQ'D	LENGTH	TYPE	DIMENSIONS				
				A	B	C	D or R	
501	176	14'-6"	51r.					2062
502	272	9'-0"	121					1990
503	176	9'-10"	120					1854
504	176	3'-7"	108	1'-7"	1'-6"			566
505	100	33'-9"	51r.					3006
							Sub-Total	12,078
							Diaphragm Sub-Total	552
							Total	12,630



ESTIMATED QUANTITY SUMMARY			
ITEM NO.	DESCRIPTION	UNIT	QUANTITY
422	Reinforced Concrete Slab	S F	2775
425	Prest. Conc Beams (AASHTO Type II)	L F	540.4
442	Structural Steel (HYC/Armor JT)	Lb	815
556	Deck Drain	L F	217
459	Railroad Waterproofing (Type RR)	S Y	1247
430	Reinforcing Steel	Lb	12,630
441	Class 'C' Concrete (Slab)	C Y	78.2

* For Contractors information only.
▲ Estimated Quantities Given Are For Span 1 & Span 2.

NO.	REVISION	BY	DATE
TEXAS TURNPIKE AUTHORITY DALLAS NORTH TOLLWAY			
SSW RAILWAY UNDERPASS SLAB DETAILS			
Turner Collier & Braden Inc. Consulting Engineers			SECTION VI
DRW	DATE	6-83	SCALE
FRW	DATE	6-83	SCALE
CONTRACT NO. DNT-114			SHEET S-60 OF S-82