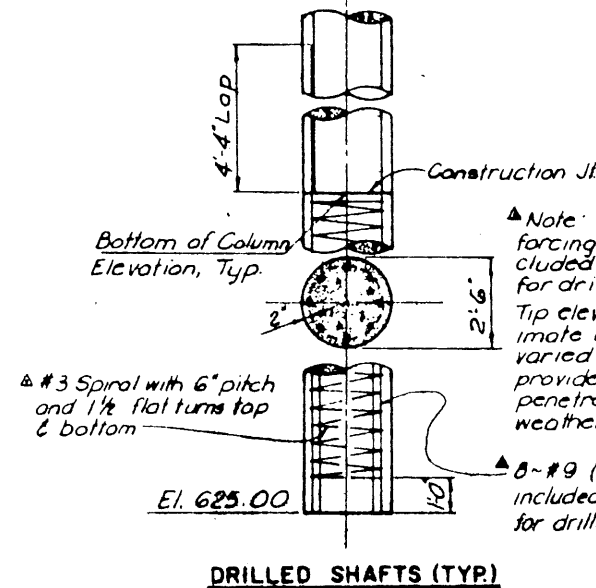


COLUMN DESIGNATION	LOCATION	
	TOP	BOTTOM
A	648.12	633.70
B	648.34	633.92
C	648.57	634.15
D	648.79	634.37
E	648.79	634.37
F	648.56	634.14
G	648.33	633.91
H	648.11	633.69
I	647.88	633.46



**NOTES**

1. See North Abutment Details, Sheet 1 of 2 for Notes, Estimated Quantities and Details not shown

NO.	REVISION	BY	DATE
TEXAS TURNPIKE AUTHORITY DALLAS NORTH TOLLWAY			
VERDE VALLEY LANE OVERPASS NORTH ABUTMENT DETAILS			
TurnerCollie & Braden Inc. Consulting Engineers			SECTION VII
DRAWN: BST	DATE: 3-83	DESIGNED: FRW	DATE: 3-83
CHECKED: ERW	DATE: 3-83	SCALE: AS NOTED	
CONTRACT NO. DNT-114 SHEET S-7 OF S-82			