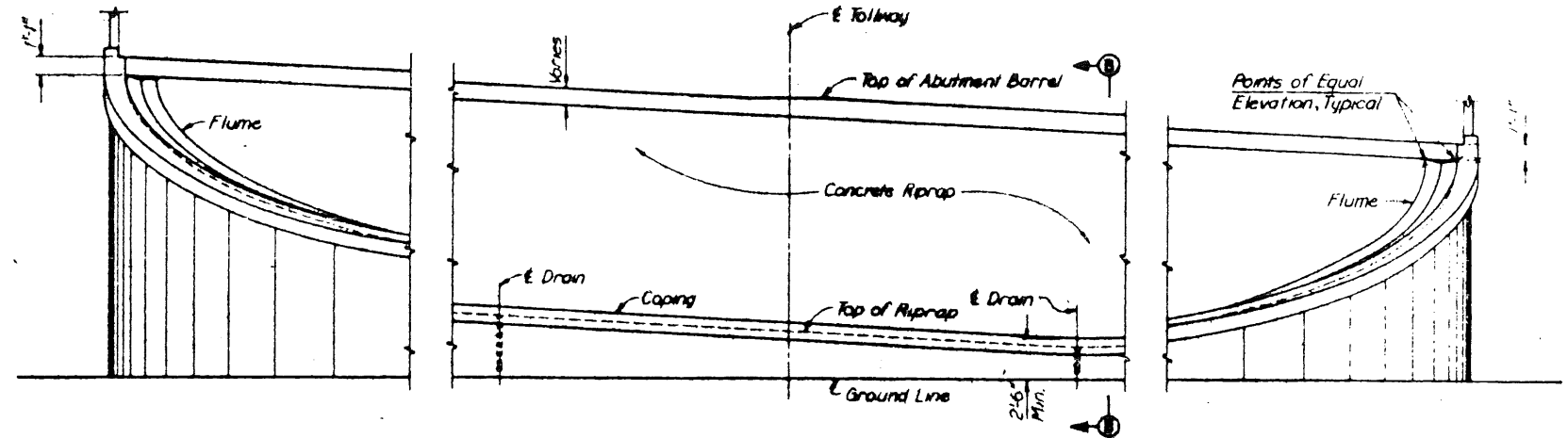
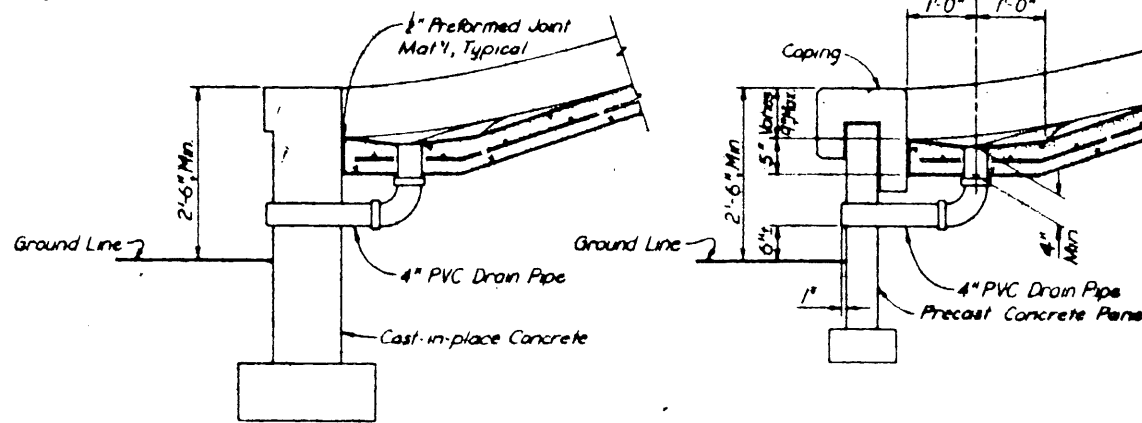


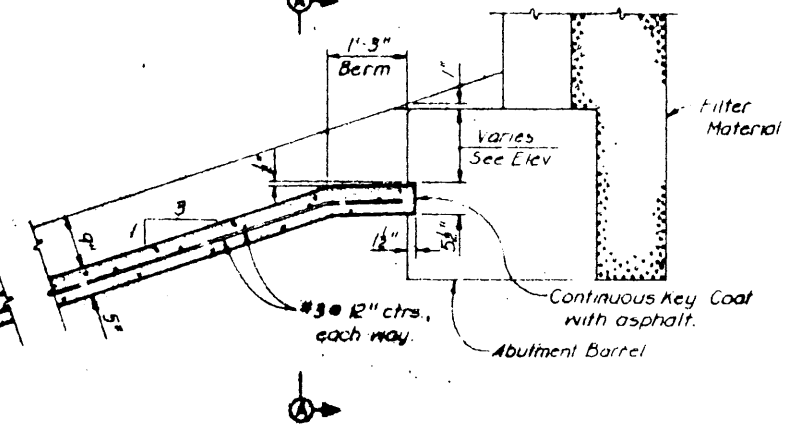
PLAN



FRONT ELEVATION (SUPERELEVATED ROADWAY)

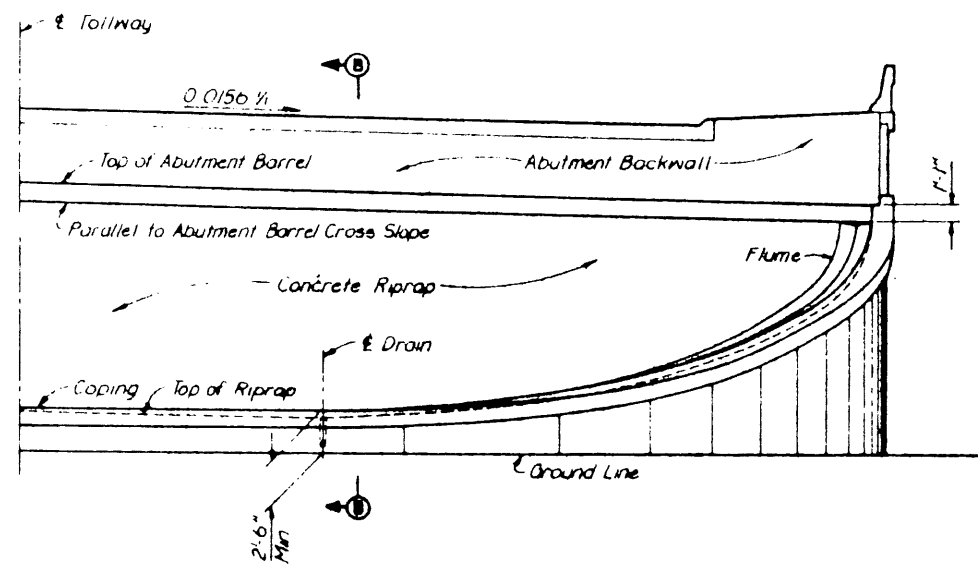


ALTERNATE SECTION B-B

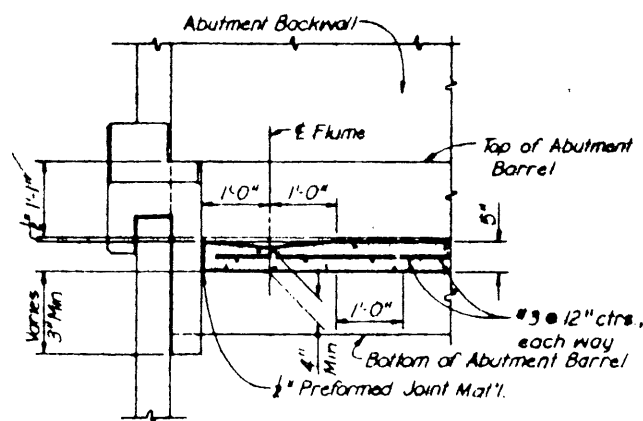


SECTION B-B

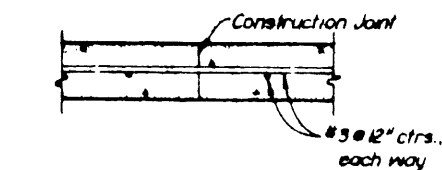
GENERAL NOTES:  
 Concrete shall be Class B  
 For abutment and underdrain details, see individual bridge abutment details.  
 Construction joints shall be located where directed by the Engineer.  
 See the individual bridge plans for possible deviations from the details shown on this sheet.



FRONT ELEVATION (CROWNED ROADWAY)



SECTION A-A



CONSTRUCTION JOINT DETAIL

NO.	REVISION	BY	DATE
TEXAS TURNPIKE AUTHORITY DALLAS NORTH TOLLWAY			
CONCRETE RIPRAP SLOPE PROTECTION WITH WALLS			
<b>HNTB</b> HUNT ENGINEERING, ARCHITECTURE & INTERIOR DESIGN			SECTION VI
DESIGNED	JTA	DATE	2-2-93
DRAWN	GDH	DATE	2-9-93
CHECKED	GDH	DATE	3-14-93
SCALE	NONE		
STANDARD DRAWING NO. 21			