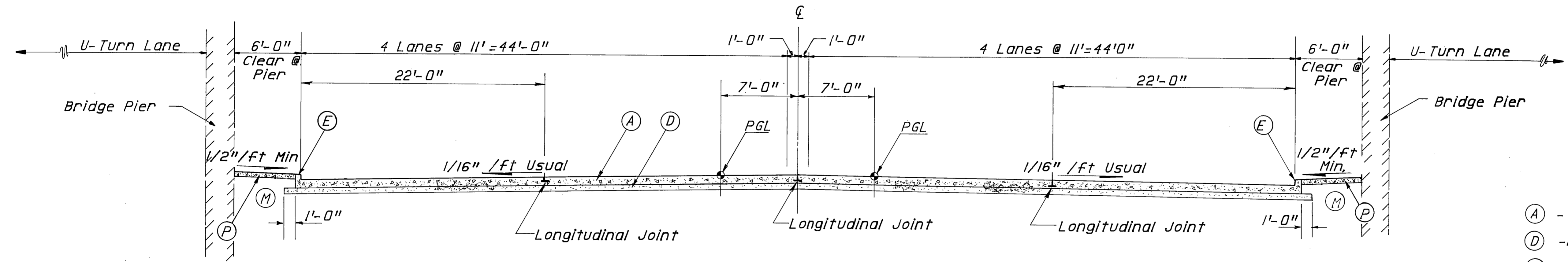


OUTSIDE BRIDGE

UNDER BRIDGE

**McEWEN ROAD TYPICAL SECTION**  
(For Variation's To Section See Intersection Detail Sheet)



**SPRING VALLEY ROAD TYPICAL SECTION**  
(For Variation's To Section See Intersection Detail Sheet)

**LEGEND**

- (A) - Concrete Pavement (Water-Cement Ratio)(8")
- (D) - Lime Treated Subgrade (Density Control)(6")
- (E) - Monolithic Curb, Type "A", 6"
- (J) - Salvaging, Furnishing And Placing Topsoil(4")
- (M) - Embankment (Density Control)
- (P) - Concrete Median (4")
- (Q) - Concrete Curb, Doweled
- (R) - Broadcast Seeding

**AS BUILT PLANS**

NO.	REVISION	BY	DATE
TEXAS TURNPIKE AUTHORITY <b>DALLAS NORTH TOLLWAY</b>			
TYPICAL SECTIONS McEWEN ROAD & SPRING VALLEY ROAD			
<b>URS ENGINEERS</b> DALLAS, TEXAS			SECTION <u>V</u>
DRAWN	M.M.	DATE 1/83	DESIGNED N.N. DATE 1/83
CHECKED	G.D.	DATE 1/83	SCALE 3/16"=1' FT
CONTRACT NO. <u>DNT-113</u> SHEET <u>R-12</u> OF <u>R-149</u>			