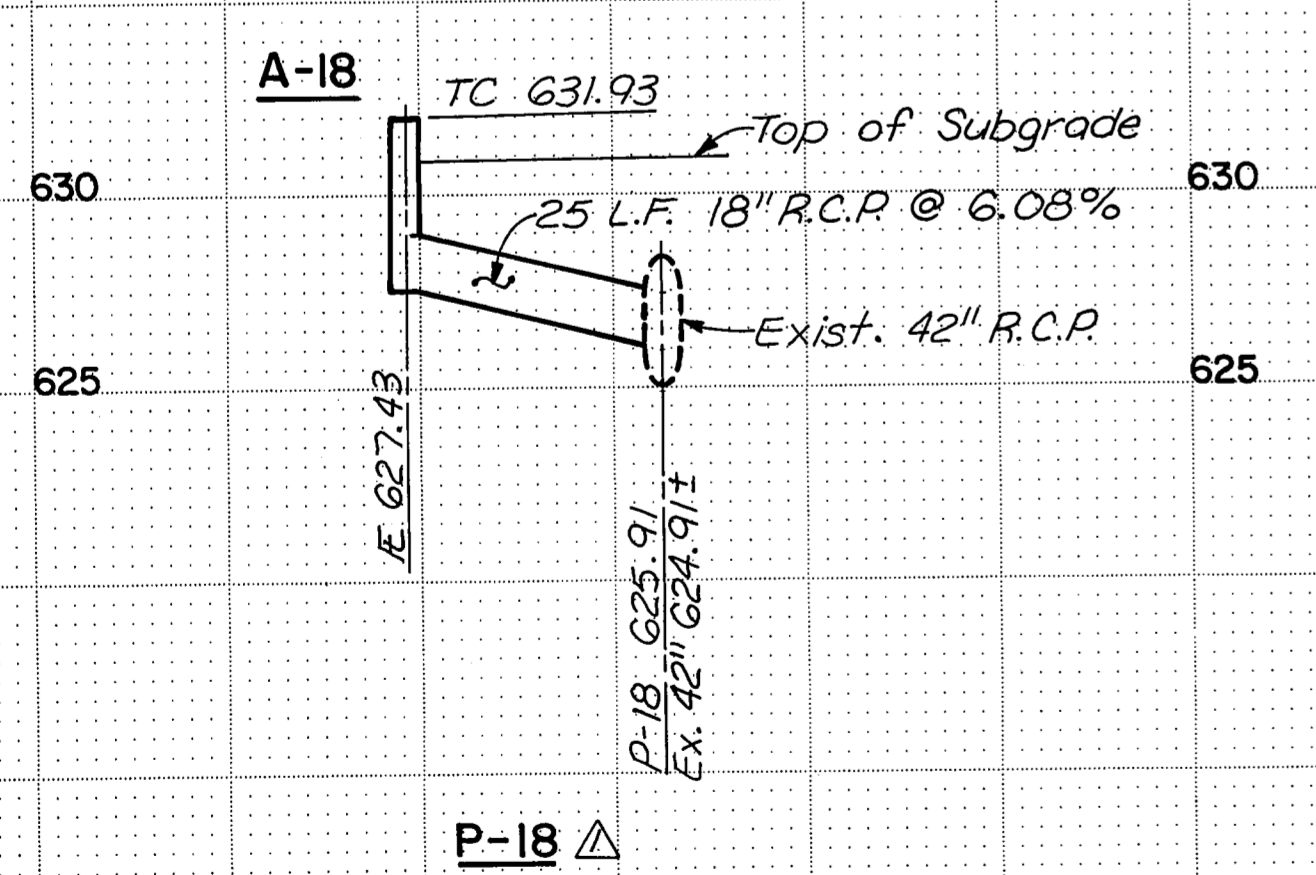
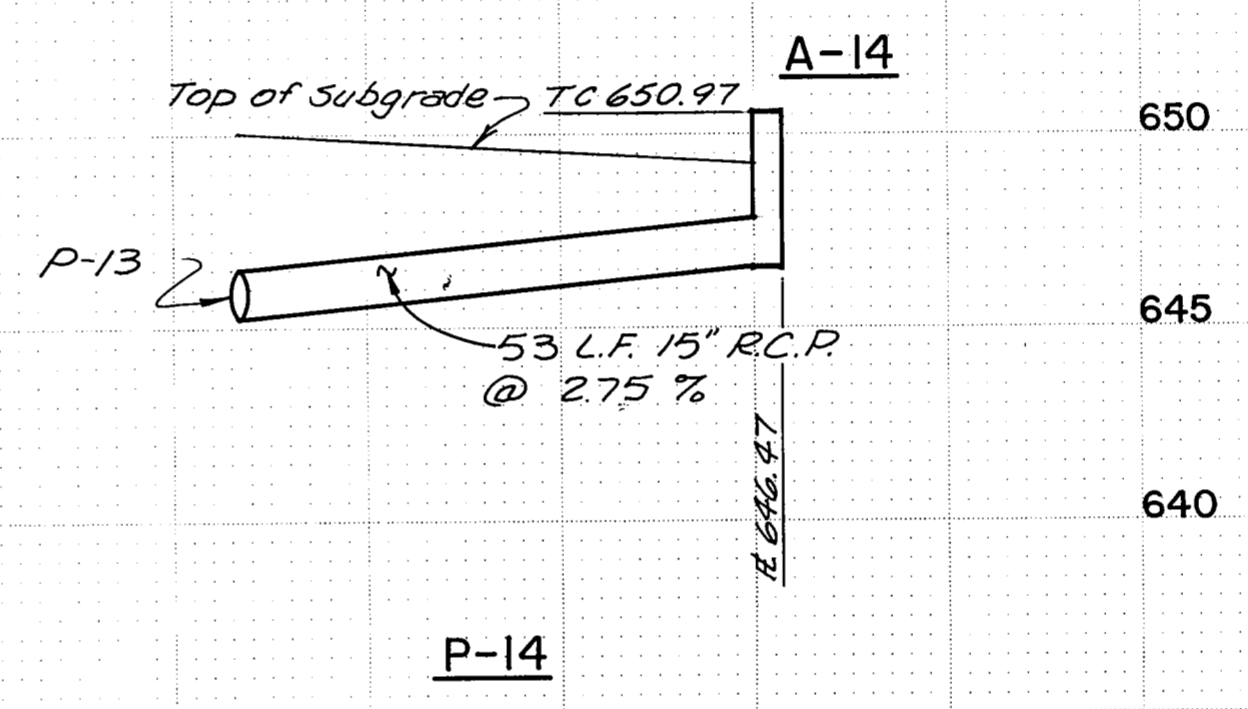
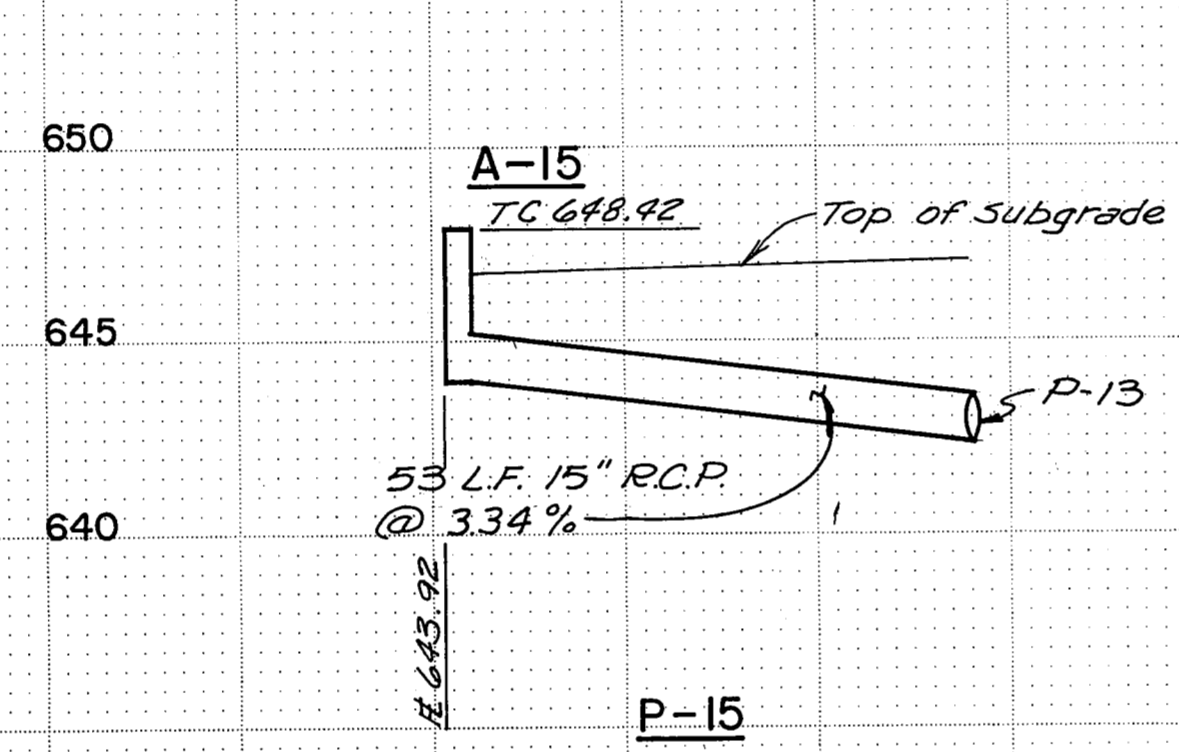


P-16 624.66 (in)
 P-16 624.50 (out)
 P-16 631.00 (in)
 See sheet R57 for
 P-16



Note: 1. All R.C.P. to be Class III unless noted.
 2. See sheets R49 & R50 for horiz. location of pipes.

| | | | |
|-----|------------------|-----|------|
| NO. | REVISION | BY | DATE |
| | Add Lateral P-18 | WRP | 7/83 |

P-13
 P-14
 P-15
 P-16
 P-18

AS BUILT PLANS

TEXAS TURNPIKE AUTHORITY
 DALLAS NORTH TOLLWAY

STORM SEWER PROFILE

Turner Collie & Braden Inc. SECTION XL

MADE J.B.L. DATE 7-83 TRACED A.L.A. DATE 7-83
 CHECKED J.B.L. DATE 7-83 SCALE H:1"=20' V:1"=5'

CONTRACT NO. DNT-114 SHEET R58 OF R103