

635

630

625

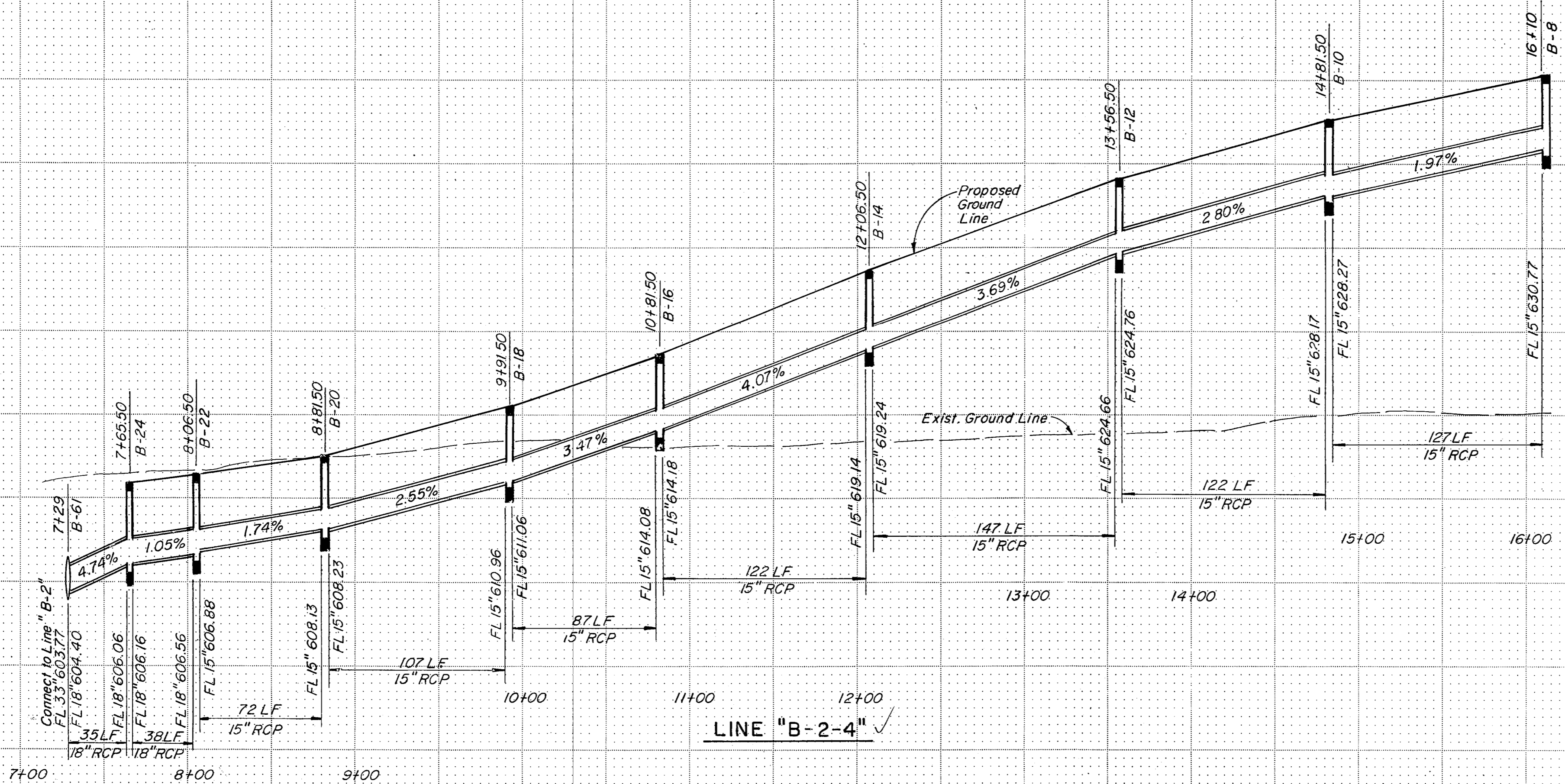
620

615

610

605

600



635

630

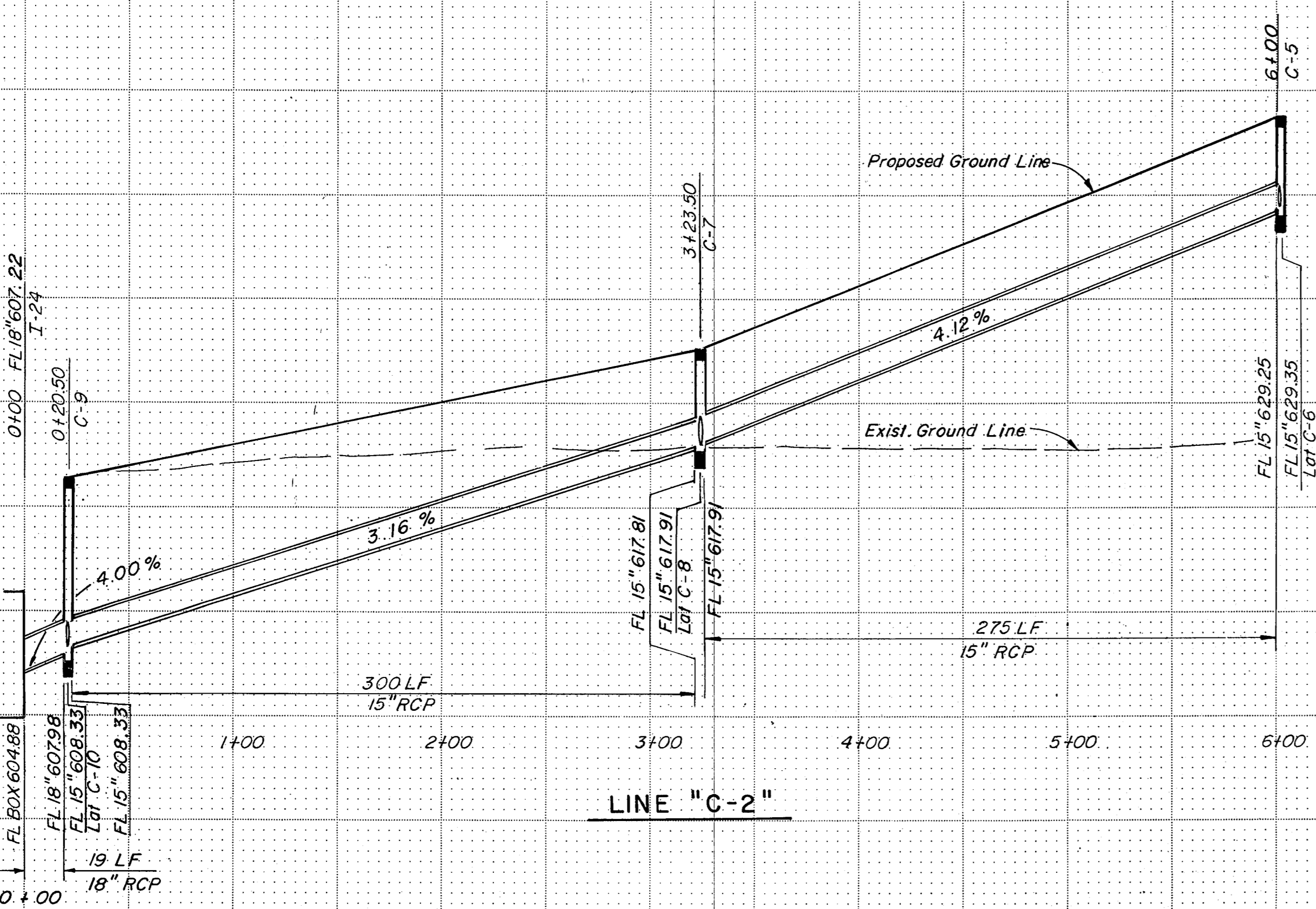
625

620

615

610

605



635

630

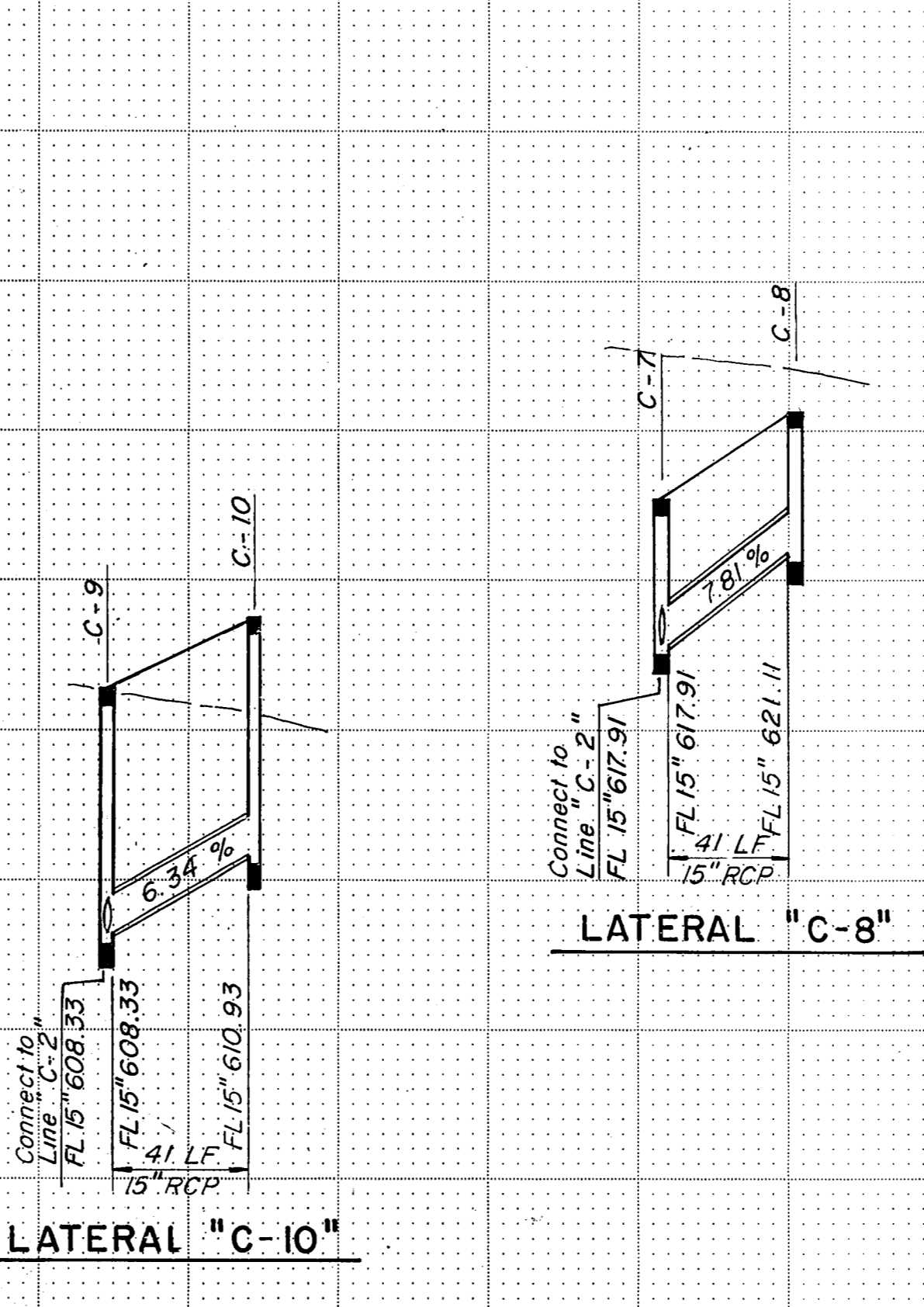
625

620

615

610

605



STORM SEWER LINE: "B-2-4", "C-2"  
 LATERAL: "C-6", "C-8", "C-10"

NO.	REVISION	BY	DATE
TEXAS TURNPIKE AUTHORITY DALLAS NORTH TOLLWAY			
STORM SEWER PROFILES			
<b>Gibbs &amp; Hill, Inc.</b>			
MADE	AELT	DATE	12/83
CHECKED	REW	DATE	4/84
TRACED	GWK	DATE	12/83
SCALE	1"=50' H 1"=5' V		
CONTRACT NO. DNT-115 SHEET R53 OF R85			