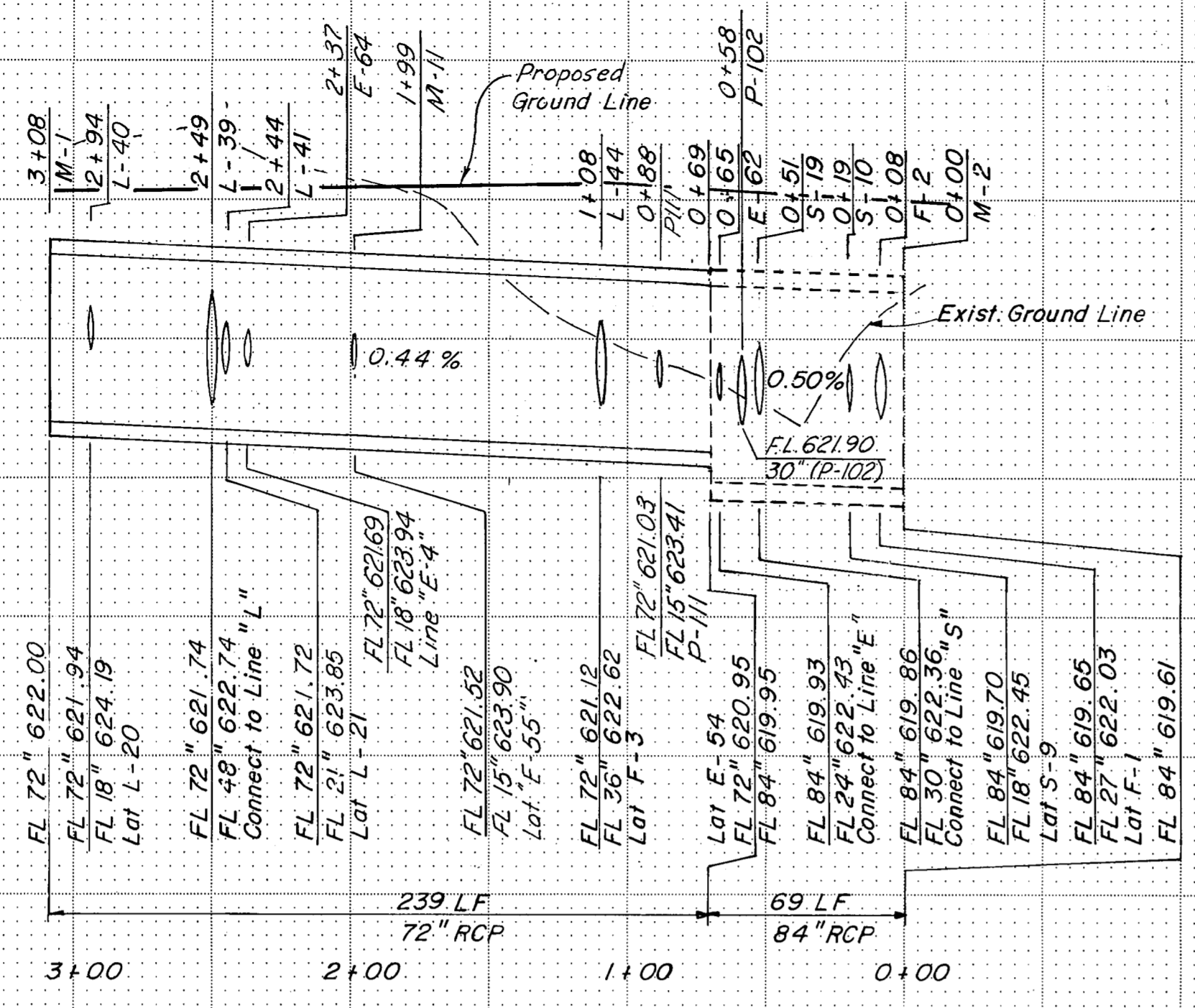


630

625

620

615

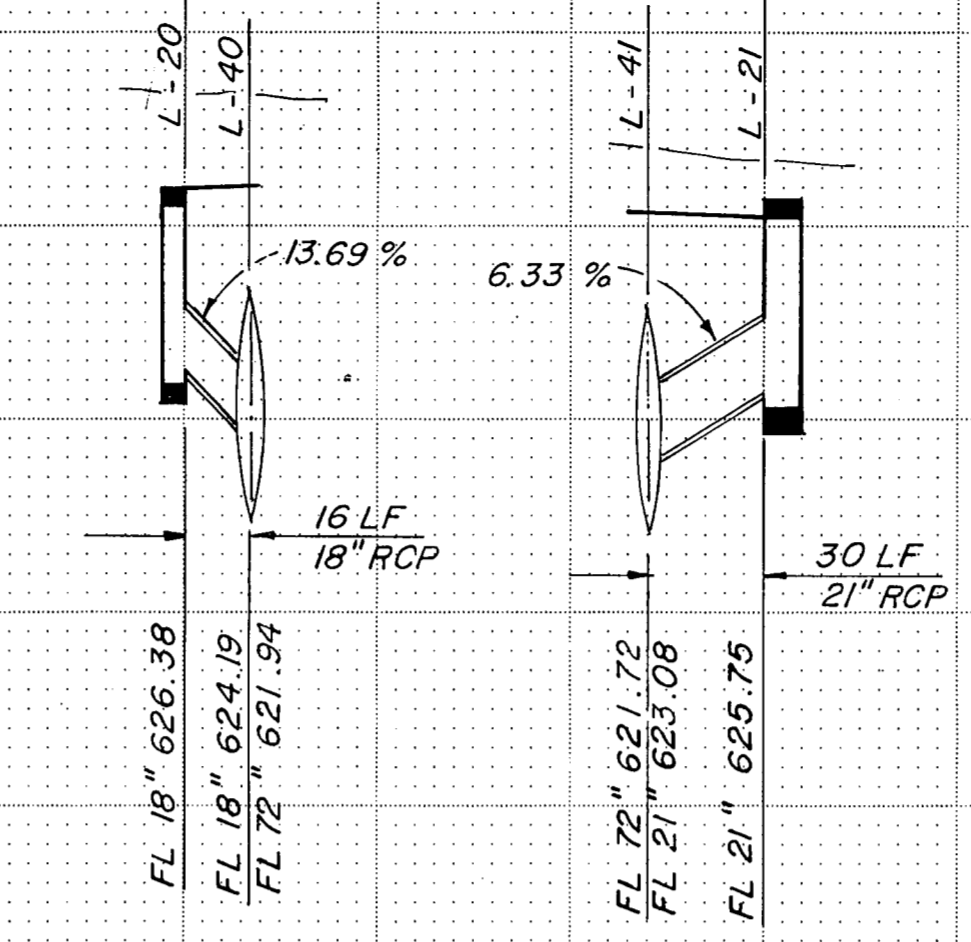


LINE "M"

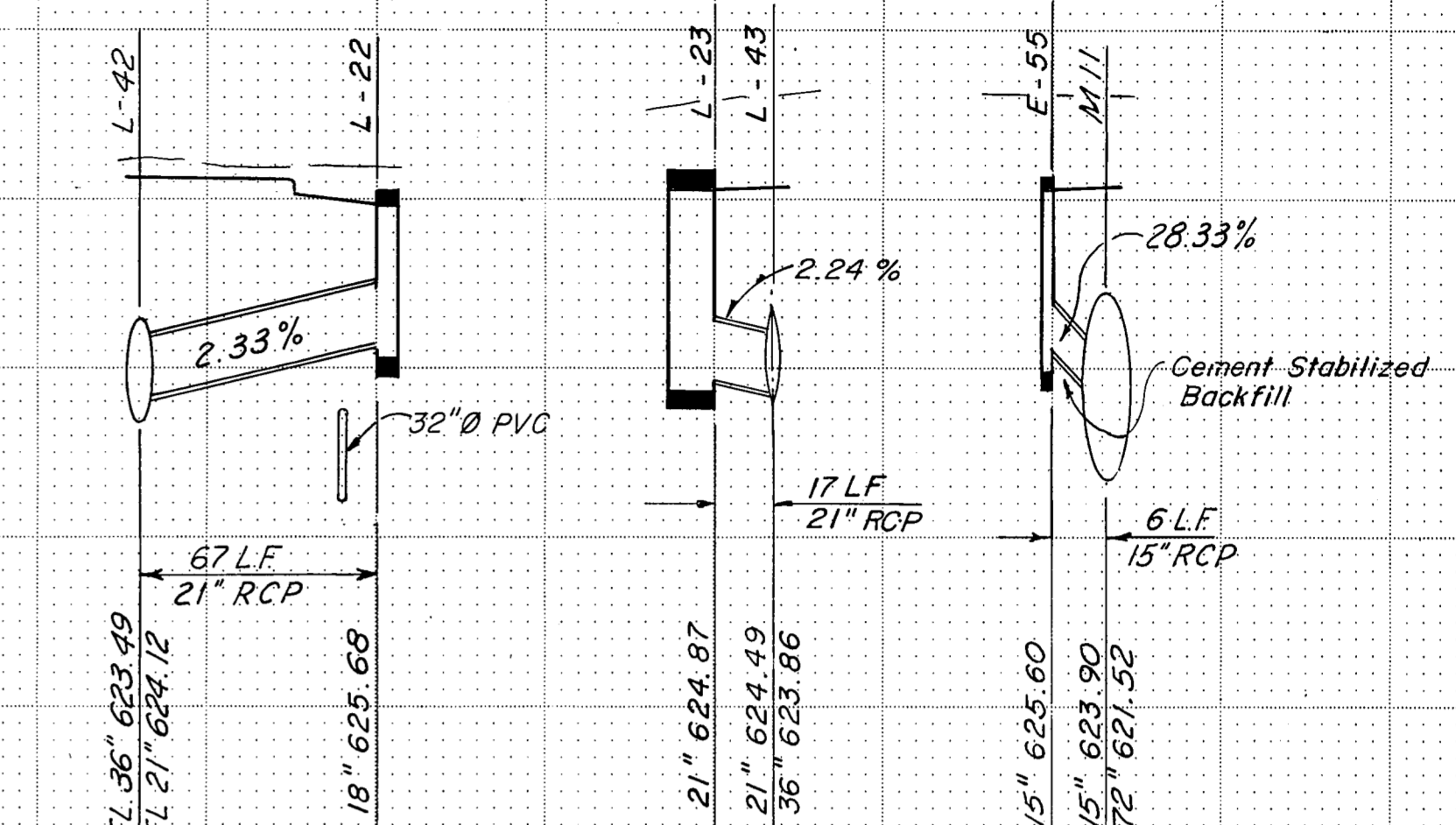
630

625

620



LATERAL "L-20" LATERAL "L-21"

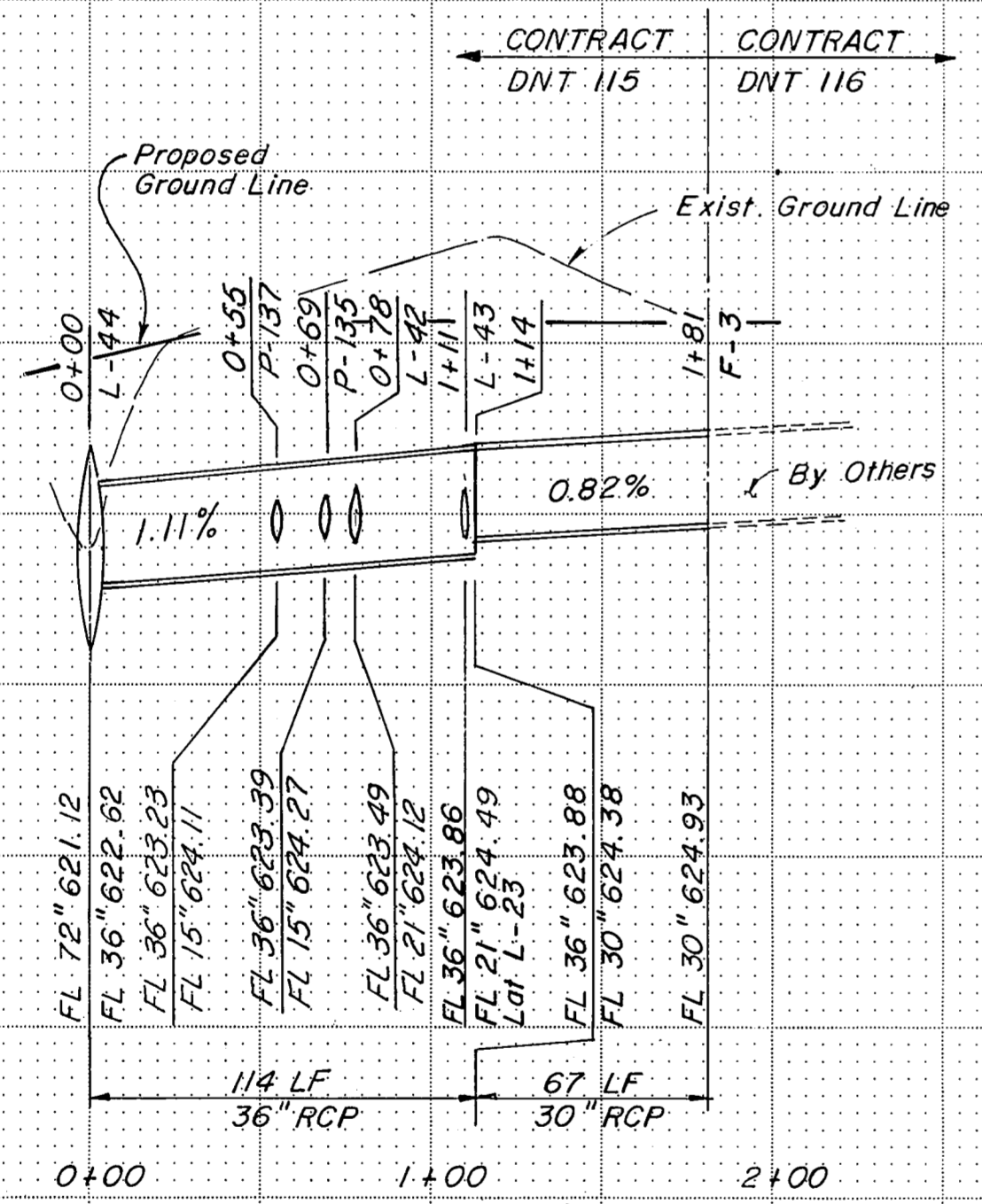


LATERAL "L-22" LATERAL "L-23" LATERAL "E-55"

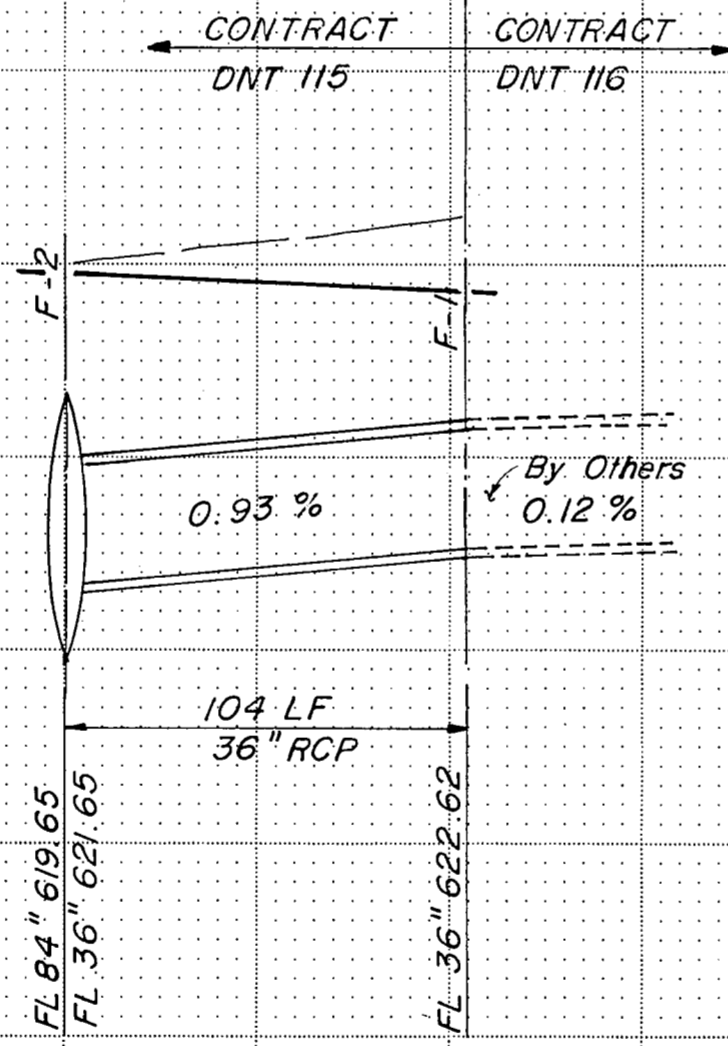
630

625

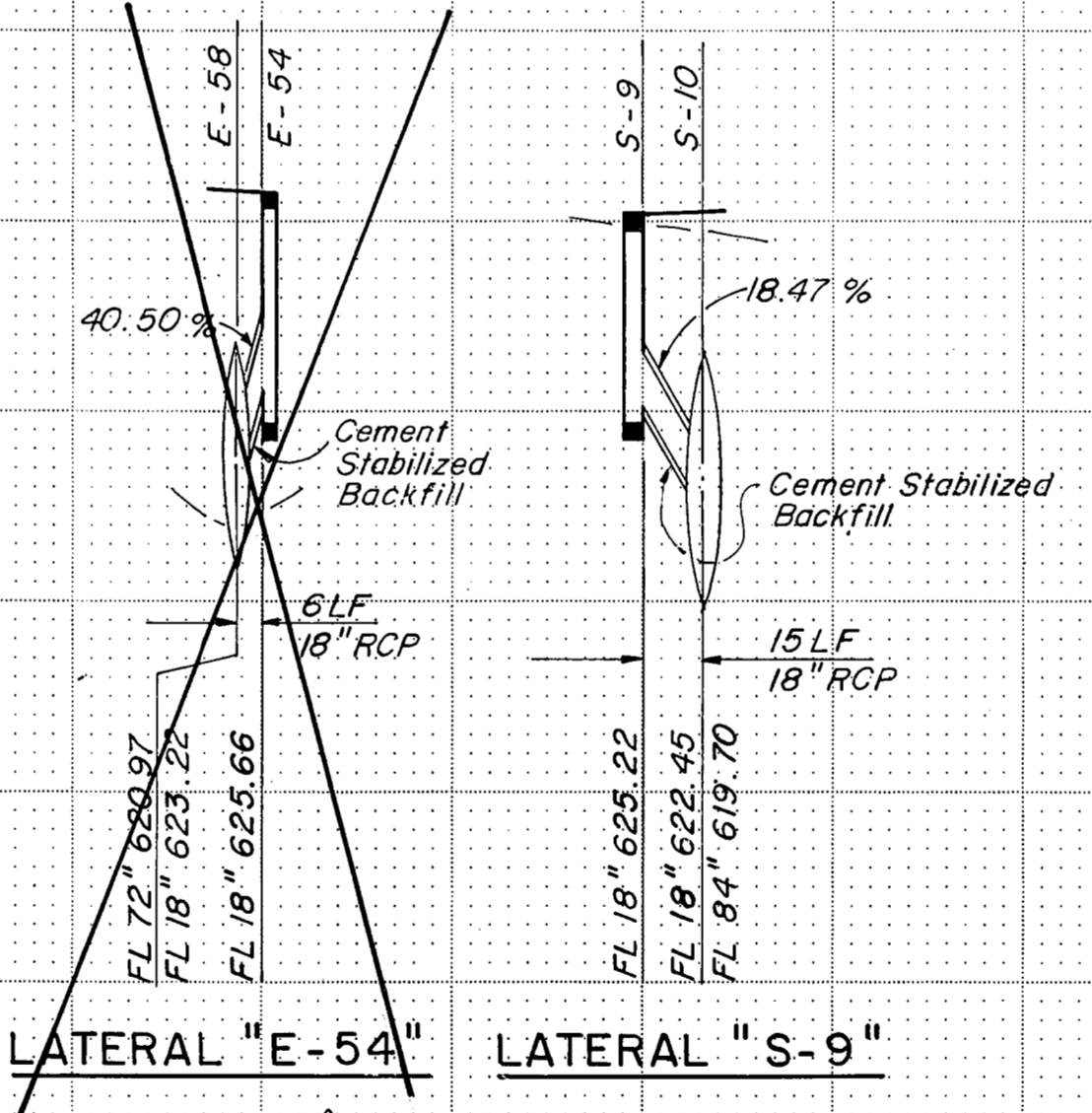
620



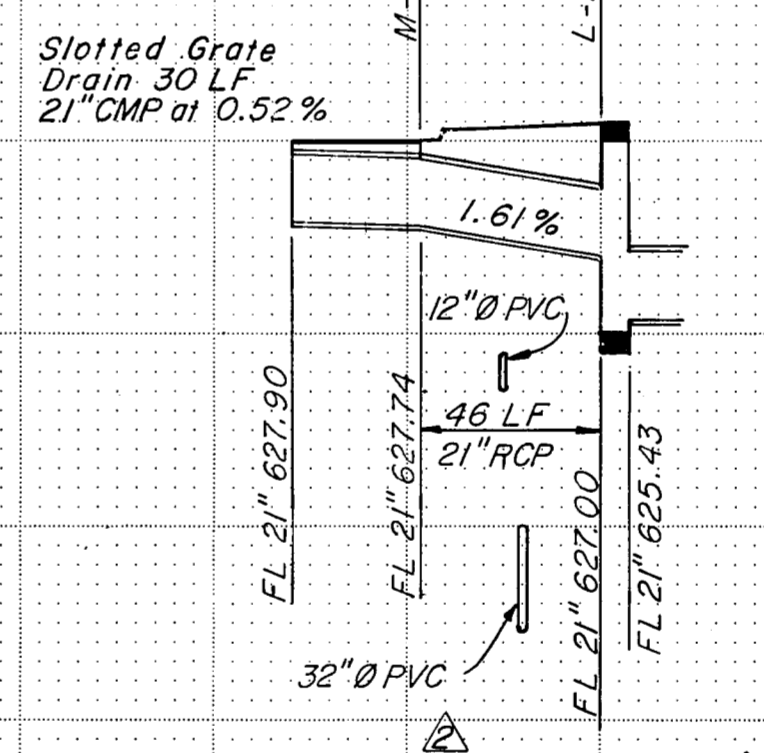
LATERAL "F-3"



LATERAL "F-1"



LATERAL "E-54" LATERAL "S-9"



LATERAL "M-8"

NOTES:
1. Refer to Sheet R74 for depth of cement stabilized backfill.

ASBUILT PLANS

3	General Trinity Mills/Briar Grove	B&H 10-9-85
4	Added Location of 32" and 12" SWB Conduit	B&A 4-12-89
5	Replaced Inlet M-8 with Slotted Drain & Tie into Inlet L-22	B&A 2-5-89
NO	REVISION	BY DATE

TEXAS TURNPIKE AUTHORITY
DALLAS NORTH TOLLWAY

STORM SEWER PROFILES

Gibbs & Hill, Inc.

MADE AELT DATE 4/84 TRACED MAV DATE 4/84
CHECKED REW DATE 4/84 SCALE 1"=50'H 1"=5'V

CONTRACT NO. DNT-115 SHEET R67 OF R85

STORM SEWER LINE: "M"
LATERAL: "L-20", "L-21", "L-22", "L-23",
"E-55", "F-3", "F-1", "E-54",
"S-9", "M-8"