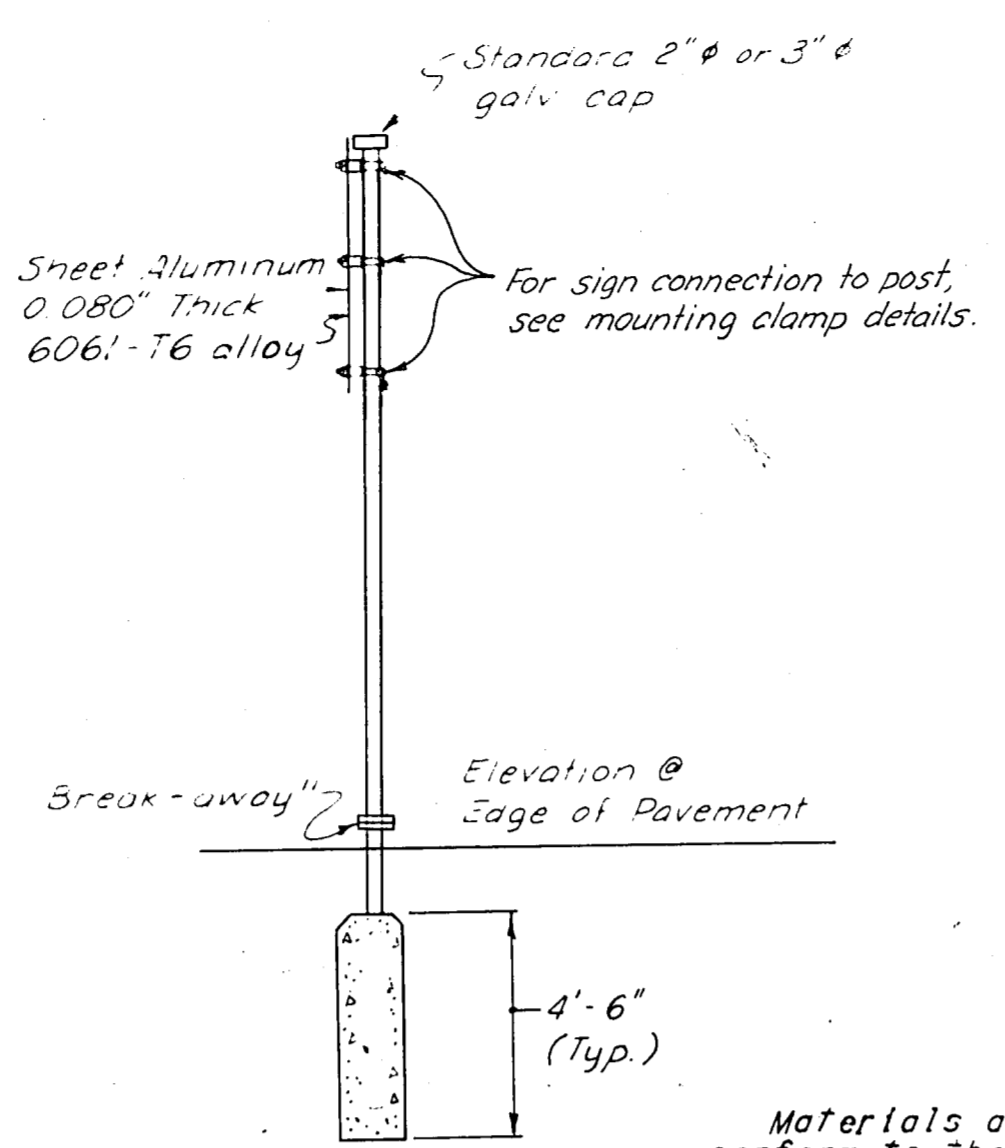


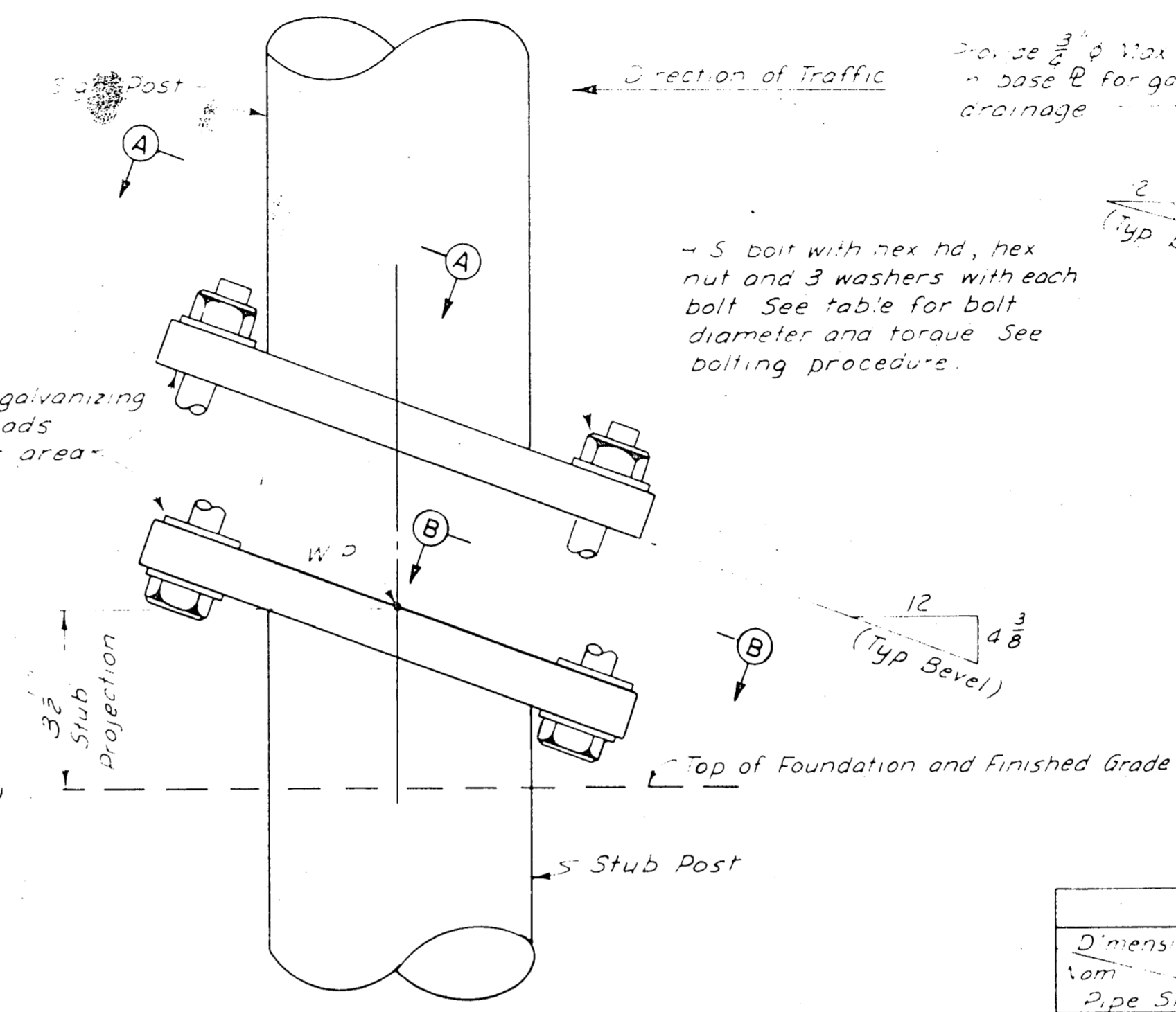
TYPICAL GROUND ANCHORED PIPE MOUNTING

Note: Typical Pavement Marking Details Are Shown For General Purposes Only. The Contractor Shall Place Pavement Markings, As Shown, In Accordance With, The "Texas Manual On Uniform Traffic Control Devices For Streets And Highways" And As Directed By The Engineer And/Or The Jurisdictional City.

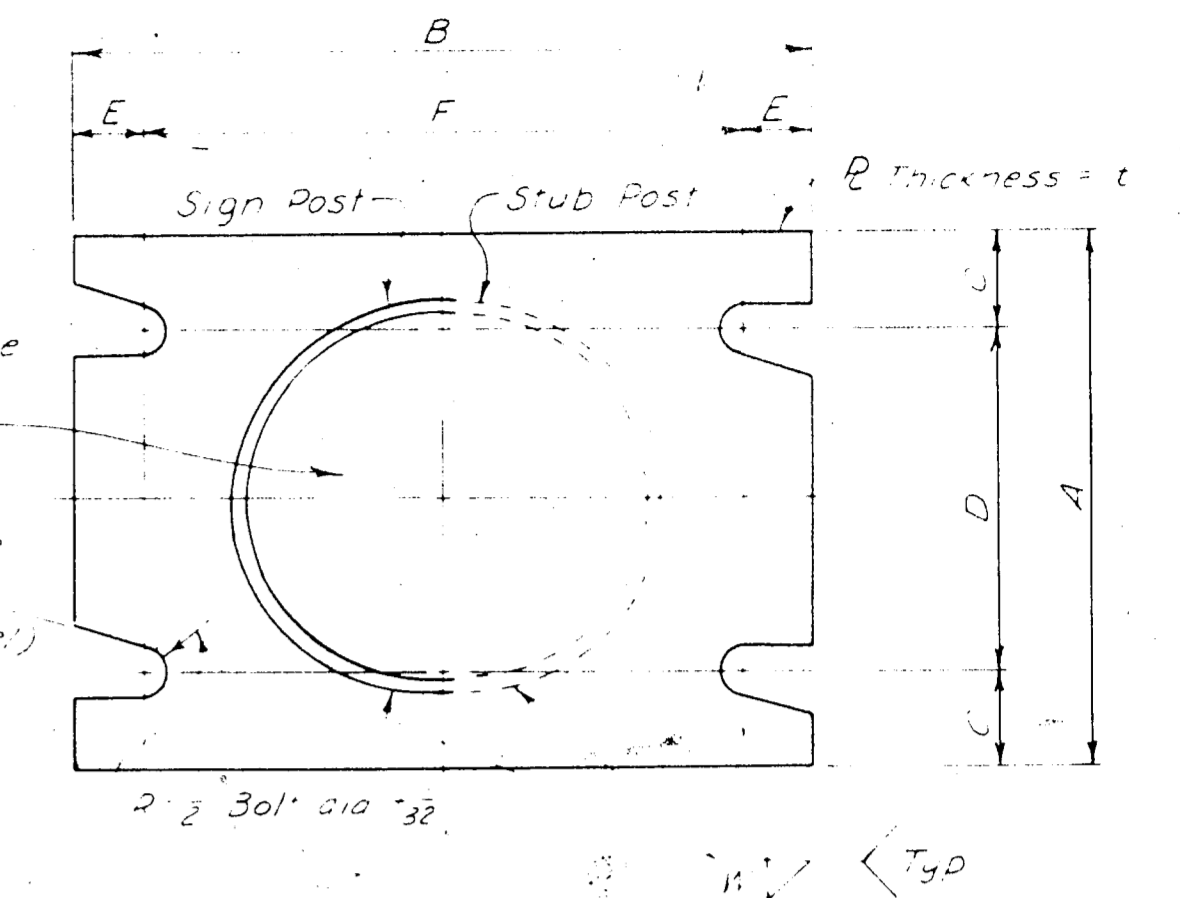


Materials and Fabrication shall conform to the requirements of Texas Highway Dept. Standard Specifications and Special Specifications. All Structural Steel shall conform to ASTM-A441. All Sheet and Plate Aluminum shall conform to ASTM-B209 alloy 6061-T6. All extruded aluminum shall conform to ASTM-B221 alloy 6061-T6. Cast Aluminum post clamps shall conform to ASTM-B26 alloy SG704-T6, ASTM-B108 SG704-T6, ASTM-B26 alloy 2C81A, or ASTM-B108 alloy 2C81B. All high strength bolts, nuts and washers shall conform to ASTM-A325. All bolts other than high strength bolts shall conform to ASTM-A307, Class A. All structural steel bolts, nuts, and washers shall be galvanized as per Item 442 of the Standard Specifications except as noted. Structural steel to be galvanized after fabrication except as noted.

Notes: When height of sign is over 21'-0", the ridge bolt assembly shall be used. This bolt shall be approx. 1/2" but in no case will it be an letters or in between letters of the sign text.



ELEVATION SIGN POST AND STUB POST

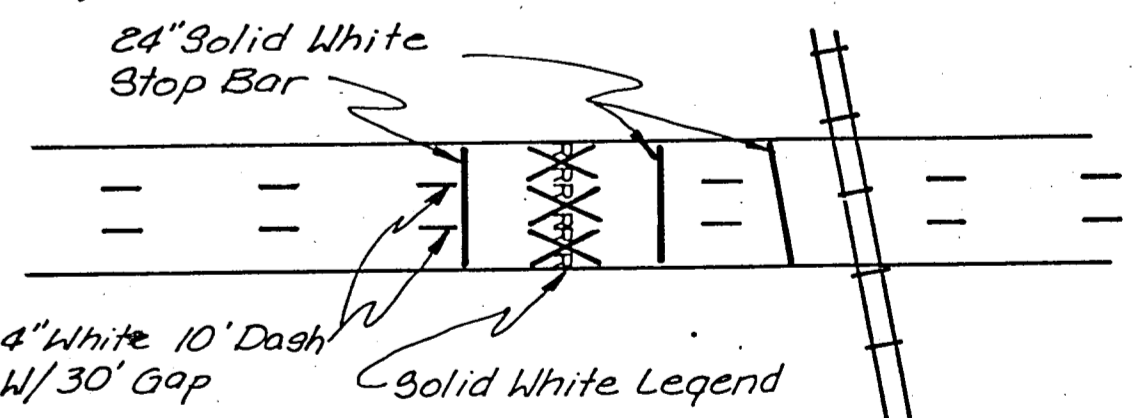


SECTION A-A SECTION B-B (See Table for Dimensions) Sections shown are for installations on right shoulder and in gore. Plate sloe bevels are opposite hand from that shown for installations on left shoulder. Plates shall conform with the requirements of ASTM A36.

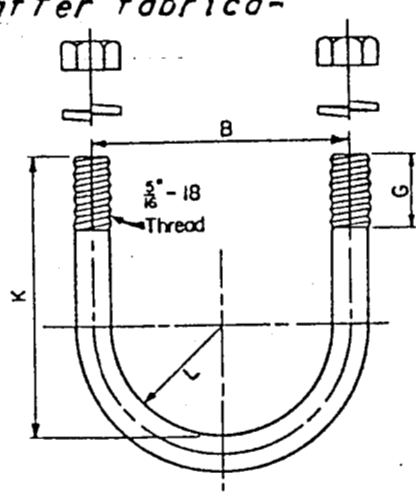
BASE CONNECTION DATA TABLE								
Dimensions Nom	Bolt Size & Torque	A	B	C	D	E	F	t W
2" Ø	5/8" x 8" Torque 200'ft	4 1/2"	6 1/2"	1"	2 1/2"	3 1/2"	4 1/2"	1/2" 1"
3" Ø	1" x 10" Torque 200'ft	4 1/2"	7"	1"	2 1/2"	3 1/2"	5 1/2"	3/4" 1 1/2"

PROCEDURE FOR ASSEMBLY OF BASE CONNECTION

- Assemble post to stub with bolts and WITH ONE FLAT WASHER BETWEEN PLATES
- Shim as required to plumb post.
- Tighten all bolts the maximum possible with 12" to 15" wrench to bed washers and to clean bolt threads then loosen.
- Tighten bolts in a systematic order to prescribed torque see table.
- Loosen each bolt and retighten to prescribed torque in the same order as in the retightening.
- Run threads at junction with nut using a center punch to prevent nut loosening.

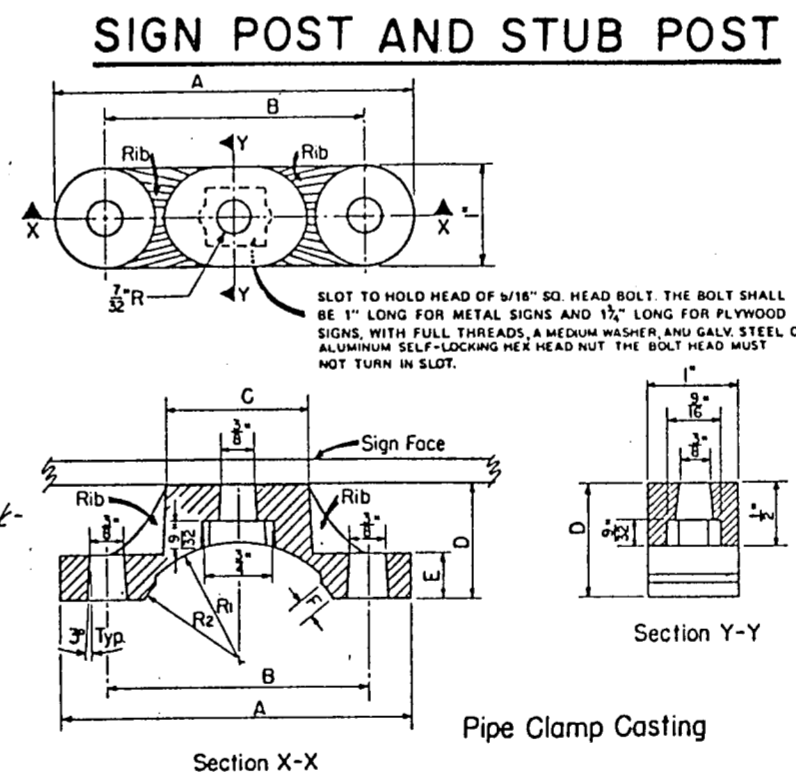


TYPICAL PAVEMENT MARKING DETAILS S.S.W. RAILWAY Scale: 1" = 50'



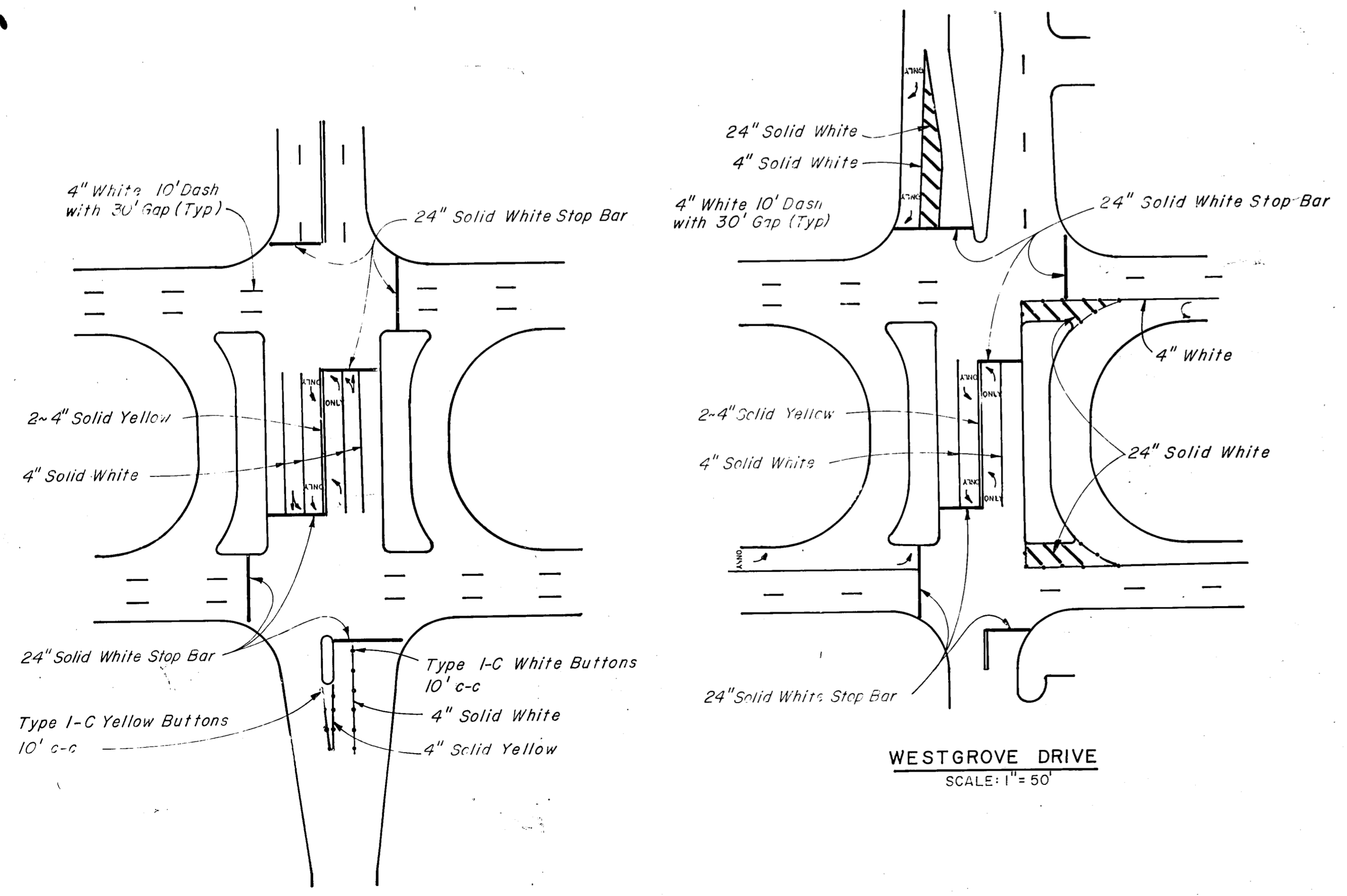
U-Bolt to be made in accordance with standard manufacturing procedure. 3/4" Dia. stock is permissible. Amer. Standard regular semi-finished hex nuts & spring lock washers.

Standard Pipe Size	Dimensions for Mounting Clamp											
	A	B	C	D	E	F	G	H	I	J	K	L
1 1/2"	3 1/2"	2 1/4"	1 1/4"	1 1/4"	1 1/4"	1 1/4"	1 1/4"	1 1/4"	1 1/4"	1 1/4"	1 1/4"	1 1/4"
2"	3 3/4"	2 1/2"	1 1/2"	1 1/2"	1 1/2"	1 1/2"	1 1/2"	1 1/2"	1 1/2"	1 1/2"	1 1/2"	1 1/2"
2 1/2"	4 1/4"	3 1/4"	2 1/4"	1 3/4"	1 3/4"	1 3/4"	1 3/4"	1 3/4"	1 3/4"	1 3/4"	1 3/4"	1 3/4"
3"	4 3/4"	3 3/4"	2 3/4"	2"	2"	2"	2"	2"	2"	2"	2"	2"



MOUNTING CLAMP DETAILS

SIGN SUPPORT AND STRIPING ESTIMATED QUANTITY SUMMARY			
ITEM NO.	DESCRIPTION	UNIT	QUANTITY
646	SP Roadside Traffic Sign Support (Ground Anchored, 2" Ø Pipe)	Lin. Ft.	714
670	SP Pavement Marking (Reflectorized Paint, 4" White)	Lin. Ft.	9000
670	SP Pavement Marking (Reflectorized Paint, 4" Yellow)	Lin. Ft.	1000
670	SP Pavement Marking (Reflectorized Paint, 24" White)	Lin. Ft.	700
670	SP Pavement Messages and Arrows (Reflectorized Paint, White)	Sq. Ft.	600
676	Traffic Button (Type I-C) (White)	Ea.	60
676	Traffic Button (Type I-C) (Yellow)	Ea.	30



KELLER SPRINGS ROAD SCALE: 1" = 50'

TYPICAL PERMANENT PAVEMENT MARKING DETAILS

NO.	REVISION	BY	DATE
TEXAS TURNPIKE AUTHORITY DALLAS NORTH TOLLWAY			
MISCELLANEOUS DETAILS SIGNING & STRIPING			
Gibbs & Hill, Inc. ENGINEERS DESIGNERS CONSTRUCTORS DALLAS			SECTION VII
DRAWN	VER	DATE	DESIGNED
CHECKED	DWC	DATE	SCALE
CONTRACT NO. DNT-115 SHEET R85 OF R85			