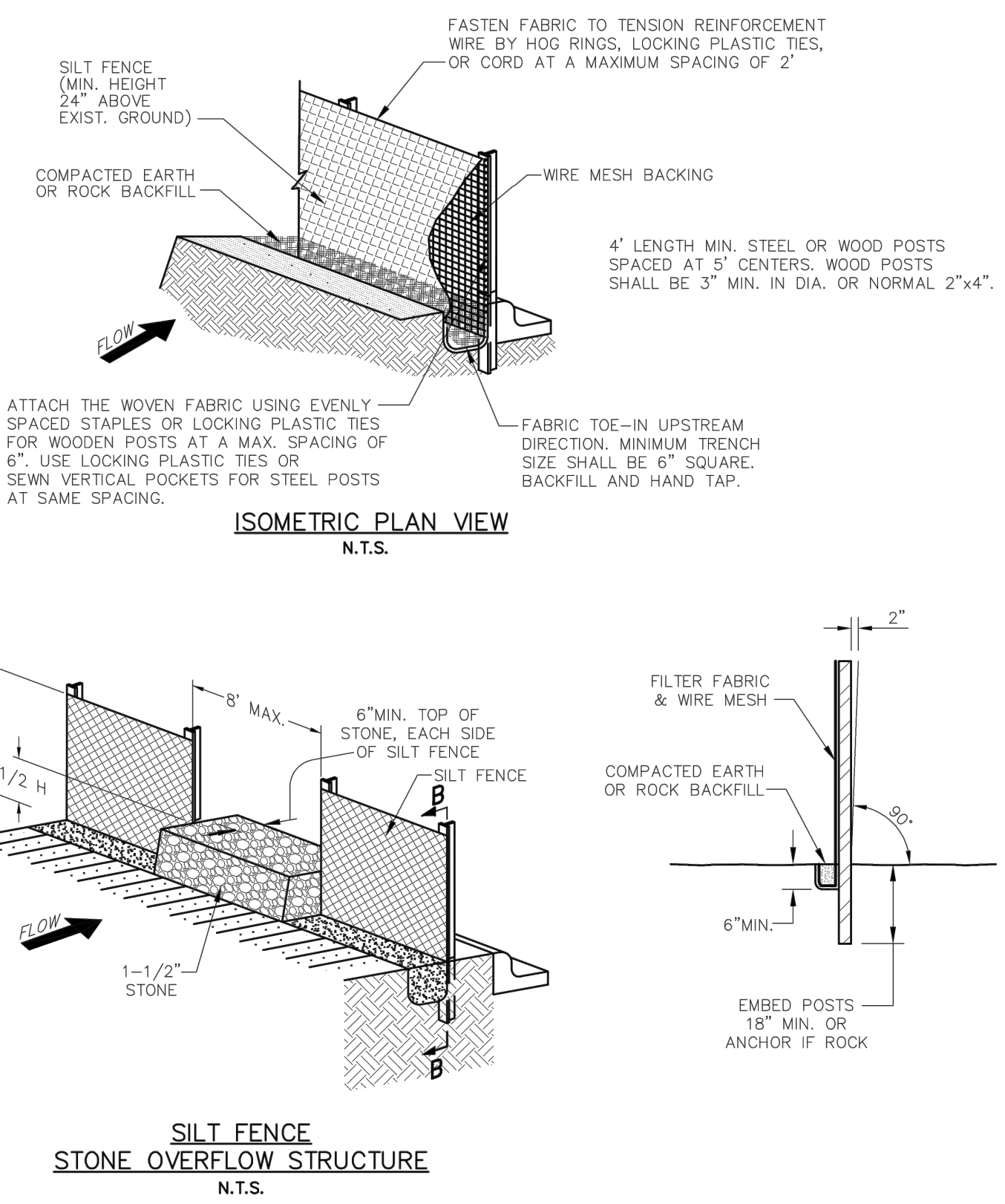
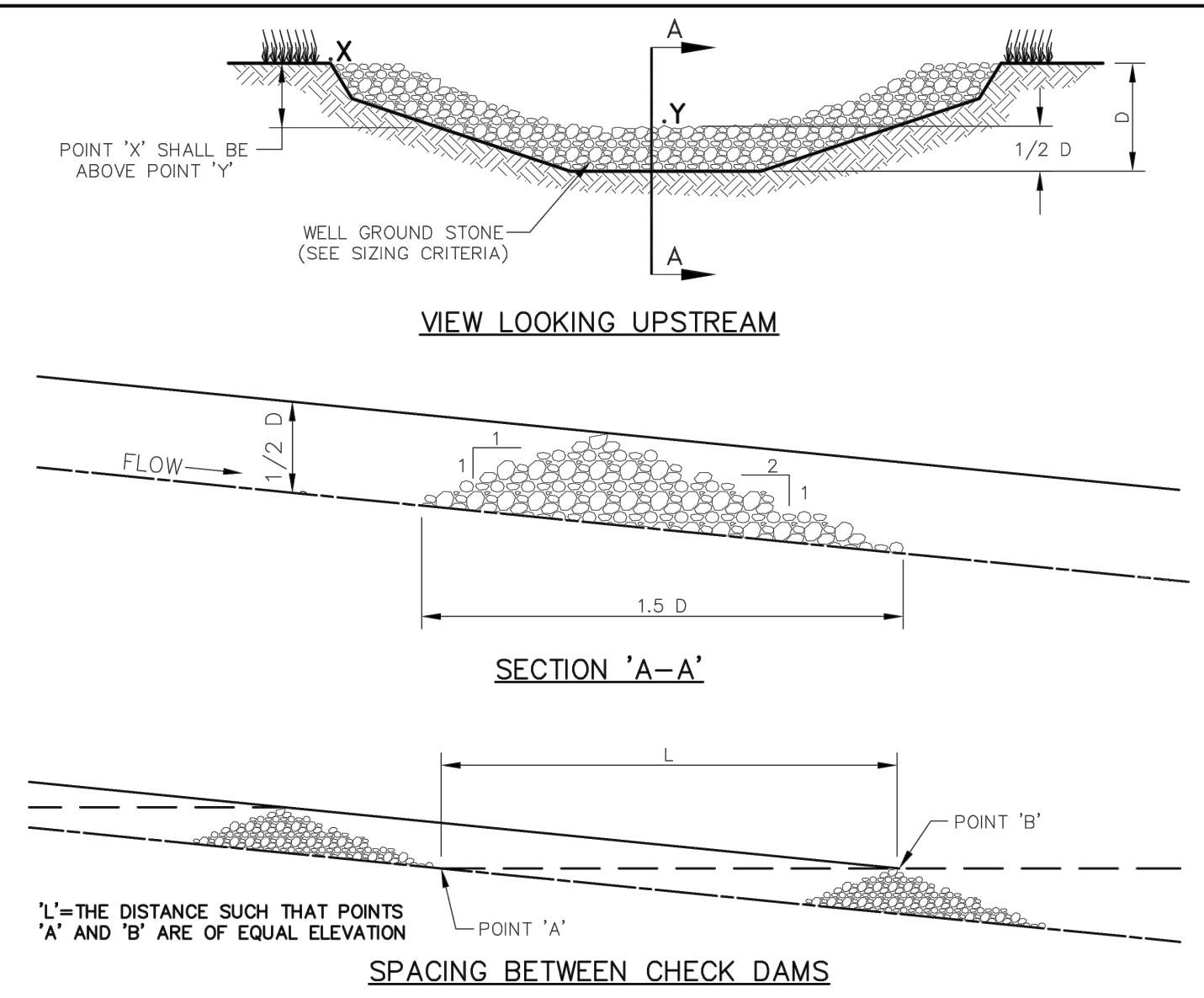


- ### EROSION CONTROL PLAN NOTES
1. ALL OPERATORS AND/OR CONTRACTORS SHALL CONFORM TO THE TERMS AND CONDITIONS OF THE TEXAS COMMISSION ON ENVIRONMENTAL QUALITY (TCEQ), TPDES GENERAL PERMIT NO. TXR 150000 ISSUED AND DATED MARCH 5, 2003.
 2. THE NOTICE OF INTENT (NOI), AS REQUIRED BY THE GENERAL PERMIT, MUST BE PROPERLY DISPLAYED ON SITE AT ALL TIMES BY EACH OPERATOR.
 3. ALL RELEASES OF THE REPORTABLE QUANTITIES OF HAZARDOUS SUBSTANCES SHALL BE REPORTED IMMEDIATELY TO THE FACILITY OPERATOR, EPA AND TCEQ.
 4. QUALIFIED OPERATOR PERSONNEL MUST INSPECT THE SITE AT LEAST ONCE EVERY 14 DAYS AND WITHIN 24 HOURS OF A STORM EVENT OF 0.5 INCHES OR GREATER. AS AN ALTERNATIVE, AN INSPECTION CAN BE CONDUCTED ONCE EVERY SEVEN (7) CALENDAR DAYS ON A DEFINED DAY. A DECISION ON WHICH METHOD TO USE MUST BE DECIDED BEFORE WORK BEGINS AND MUST BE FOLLOWED THROUGHOUT THE PROJECT.
 5. MODIFICATIONS TO THE STORM WATER POLLUTION PREVENTION PLAN SHALL BE IMPLEMENTED AND BE IN-PLACE WITHIN A SEVEN CALENDAR DAY PERIOD.
 6. IF ANY CONTRACTOR SEES A VIOLATION BY AN OPERATOR OR ANOTHER CONTRACTOR, THAT OPERATOR OR CONTRACTOR IN VIOLATION SHALL BE NOTIFIED AS WELL AS THE FACILITY OPERATOR.
 7. EROSION CONTROL SHALL BE INSTALLED PRIOR TO GRADING.
 8. ACCUMULATED SILT DEPOSITS SHALL BE REMOVED FROM SILT FENCES AND HAY BALE DIKES WHEN SILT DEPTH REACHES THREE INCHES OR 25%.
 9. THE CONTRACTOR SHALL ADD OR DELETE EROSION PROTECTION AT THE REQUEST AND DIRECTION OF THE OPERATOR OR TOWN.
 10. AFTER INSTALLATION OF PAVEMENT, FINAL LOT BENCHING AND GENERAL CLEANUP, THE CONTRACTOR SHALL ESTABLISH GRASS GROUND COVER IN ALL STREET PARKWAYS, LOT AND ALL OTHER DISTURBED AREAS. SODDING SHALL BE DONE AS SPECIFIED BY SECTION 202.5 AND SEEDING AS SPECIFIED BY SECTION 202.6 OF THE OCTOBER 2004 OR LATEST EDITION OF NCTCOG STANDARD SPECIFICATION.
 11. IT SHALL BE THE CONTRACTOR'S RESPONSIBILITY TO CONTROL AND LIMIT SILT AND SEDIMENT LEAVING THE SITE. SPECIFICALLY, THE CONTRACTOR SHALL PROTECT ALL PUBLIC STREETS, ALLEYS, STREAMS AND STORM DRAINAGE SYSTEMS FROM EROSION DEPOSITS.
 12. A DRAINAGE AREA MAP WILL BE INCLUDED WITH THE EROSION CONTROL PLAN.
 13. CONSTRUCTION WASTE DISPOSAL CONTAINERS SHALL BE PROVIDED ON THE SITE FOR DISPOSAL OF ALL NON-HAZARDOUS CONSTRUCTION WASTE MATERIALS. THE CONTAINERS SHALL BE HAULED TO LANDFILL BY THE CONTRACTOR.
 14. ALL HAZARDOUS MATERIALS SHALL BE HANDLED AND DISPOSED OF BY THE CONTRACTOR IN ACCORDANCE WITH FEDERAL, STATE AND LOCAL REGULATIONS.
- ### SILT FENCE NOTES
1. POSTS WHICH SUPPORT THE SILT FENCE SHALL BE INSTALLED ON A SLIGHT ANGLE TOWARD THE ANTICIPATED RUNOFF SOURCE. THE POST MUST BE EMBEDDED A MINIMUM OF 18 INCHES.
 2. THE TOP OF THE SILT FENCE SHALL BE TRENCHED IN WITH A SPADE OR MECHANICAL TRENCHER, SO THAT THE DOWN-SLOPE FACE OF THE TRENCH IS FLAT AND PERPENDICULAR TO THE LINE OF FLOW. WHERE FENCE CANNOT BE TRENCHED IN (E.G. PAVEMENT), WEIGHT FABRIC FLAP WITH WASHED GRAVEL ON THE UPHILL SIDE TO PREVENT FLOW UNDER FENCE.
 3. THE TRENCH MUST BE A MINIMUM OF 6 INCHES DEEP AND 6 INCHES WIDE TO ALLOW FOR THE SILT FENCE FABRIC TO BE LAID IN THE GROUND AND BACKFILLED WITH COMPACTED MATERIAL.
 4. SILT FENCE SHALL BE SECURELY FASTENED TO EACH SUPPORT POST OR TO WOVEN WIRE, WHICH IS IN TURN ATTACHED TO THE SUPPORT POST. THERE SHALL BE A 6 INCH DOUBLE OVERLAP, SECURELY FASTENED WHERE ENDS OF FABRIC MEET.
 5. INSPECTION SHALL BE MADE EVERY TWO WEEKS OR AFTER EACH RAINFALL. REPAIR OR REPLACEMENT SHALL BE PROMPTLY AS NEEDED.
 6. SILT FENCE SHALL BE REMOVED WHEN THE SITE IS COMPLETELY STABILIZED SO AS NOT TO BLOCK OR IMPEDE STORM FLOW OR DRAINAGE.
 7. ACCUMULATED SILT SHALL BE REMOVED WHEN IT REACHES A DEPTH OF 3 INCHES. THE SILT SHALL BE DISPOSED OF AT AN APPROVED SITE AND IN SUCH A MANNER AS TO NOT CONTRIBUTE TO ADDITIONAL SILTATION.



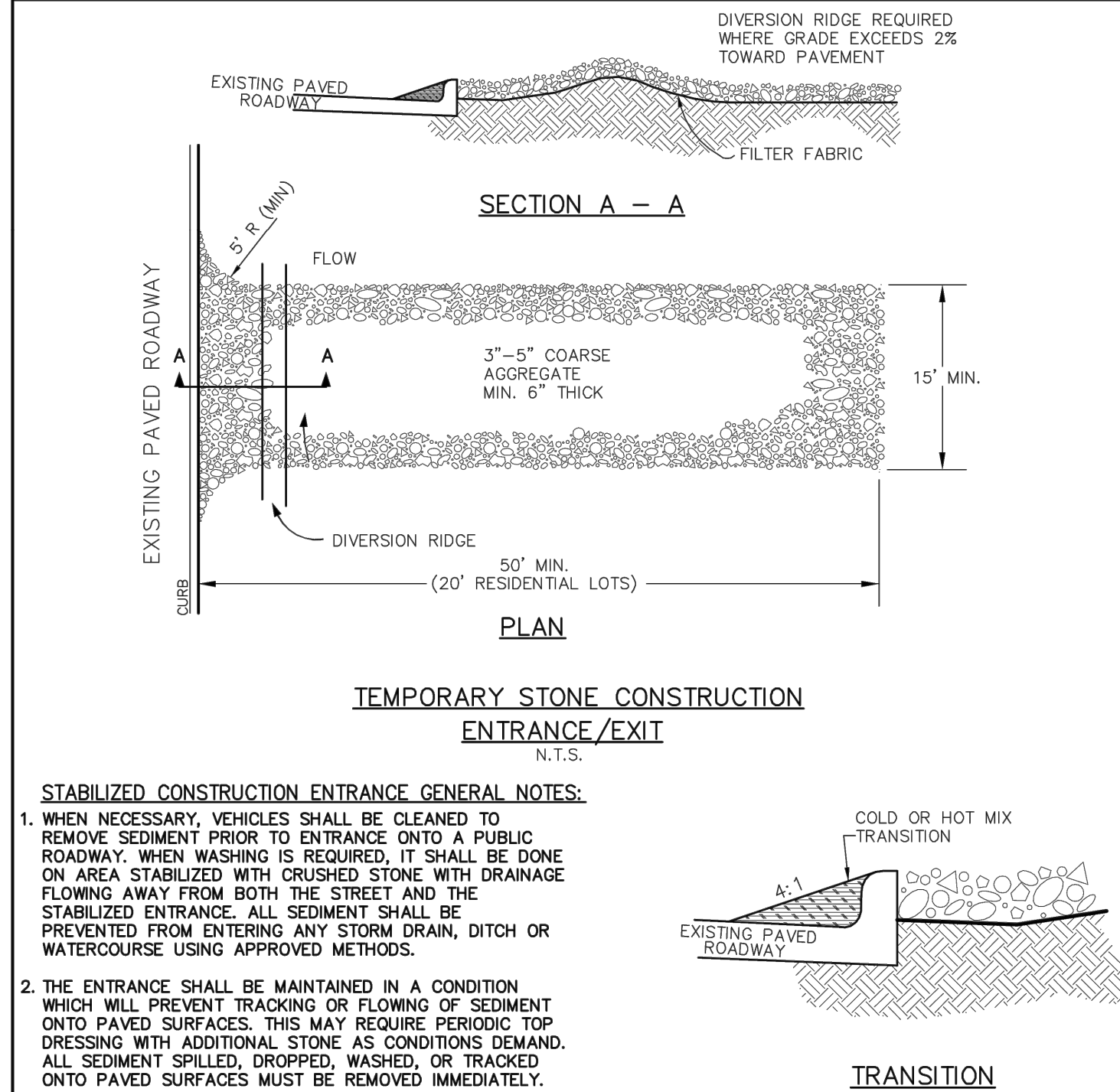
 PUBLIC WORKS DEPARTMENT	EROSION CONTROL & SILT FENCE NOTES	STANDARD CONSTRUCTION DETAILS EROSION CONTROL		
		DATE: AUGUST, 2010	REV DATE: —	SHEET: 52-EC01

 PUBLIC WORKS DEPARTMENT	SILT FENCE DETAIL	STANDARD CONSTRUCTION DETAILS EROSION CONTROL		
		DATE: AUGUST, 2010	REV DATE: —	SHEET: 50-EC02



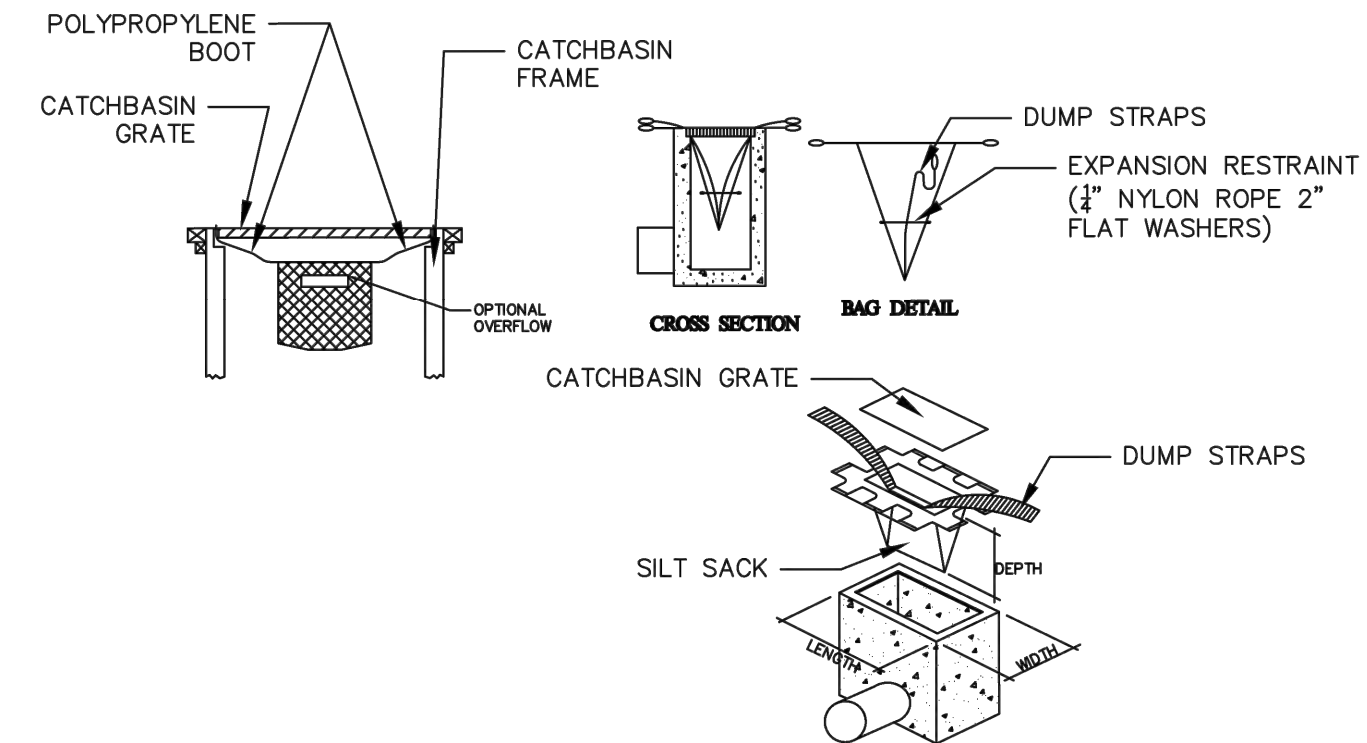
- ### ROCK CHECK DAM NOTES:
1. STONE SHALL BE WELL GRADED STONE WITH SIZE RANGE FROM 1-1/2 TO 3-1/2 INCHES IN DIAMETER DEPENDING ON EXPECTED FLOWS.
 2. THE CHECK DAM SHALL BE INSPECTED AS SPECIFIED IN THE SWPPP AND SHALL BE REPLACED WHEN THE STRUCTURE CEASES TO FUNCTION AS INTENDED DUE TO SILT ACCUMULATION AMONG THE ROCKS, WASHOUT, CONSTRUCTION TRAFFIC DAMAGE, ETC.
 3. WHEN SILT REACHES A DEPTH EQUAL TO ONE-THIRD OF THE HEIGHT OF THE CHECK DAM OR ONE FOOT, WHICHEVER IS LESS, THE SILT SHALL BE REMOVED AND DISPOSED OF PROPERLY.
 4. WHEN THE SITE HAS ACHIEVED FINAL STABILIZATION OR ANOTHER EROSION OR SEDIMENT CONTROL DEVICE IS EMPLOYED, THE CHECK DAM AND ACCUMULATED SILT SHALL BE REMOVED AND DISPOSED OF IN AN APPROVED MANNER.

 PUBLIC WORKS DEPARTMENT	ROCK CHECK DAM	STANDARD CONSTRUCTION DETAILS EROSION CONTROL		
		DATE: AUGUST, 2010	REV DATE: —	SHEET: 50-EC03



- ### STABILIZED CONSTRUCTION ENTRANCE GENERAL NOTES:
1. WHEN NECESSARY, VEHICLES SHALL BE CLEANED TO REMOVE SEDIMENT PRIOR TO ENTRANCE ONTO A PUBLIC ROADWAY. WHEN WASHING IS REQUIRED, IT SHALL BE DONE ON AREA STABILIZED WITH CRUSHED STONE WITH DRAINAGE FLOWING AWAY FROM BOTH THE STREET AND THE STABILIZED ENTRANCE. ALL SEDIMENT SHALL BE PREVENTED FROM ENTERING ANY STORM DRAIN, DITCH OR WATERCOURSE USING APPROVED METHODS.
 2. THE ENTRANCE SHALL BE MAINTAINED IN A CONDITION WHICH WILL PREVENT TRACKING OR FLOWING OF SEDIMENT ONTO PAVED SURFACES. THIS MAY REQUIRE PERIODIC TOP DRESSING WITH ADDITIONAL STONE AS CONDITIONS DEMAND. ALL SEDIMENT SPILLED, DROPPED, WASHED, OR TRACKED ONTO PAVED SURFACES MUST BE REMOVED IMMEDIATELY.
 3. THE ENTRANCE MUST BE PROPERLY GRADED OR INCORPORATE A DRAINAGE SWALE TO PREVENT RUNOFF FROM LEAVING THE CONSTRUCTION SITE.
 4. WHEN SEDIMENT HAS SUBSTANTIALLY CLOGGED THE VOID AREA BETWEEN THE ROCKS, THE AGGREGATE MAT MUST BE WASHED DOWN OR REPLACED. PERIODIC RE-GRADING AND TOP DRESSING WITH ADDITIONAL STONE MUST BE DONE TO KEEP THE EFFICIENCY OF THE ENTRANCE FROM DIMINISHING.

 PUBLIC WORKS DEPARTMENT	TEMPORARY STONE CONSTRUCTION ENTRANCE/EXIT	STANDARD CONSTRUCTION DETAILS EROSION CONTROL		
		DATE: AUGUST, 2010	REV DATE: —	SHEET: 50-EC03



THIS METHOD OF INLET PROTECTION IS APPLICABLE WHERE THE INLET DRAINS SHEET, OVERLAND AND CONCENTRATED FLOWS (NOT GREATER THAN 1 CFS). THE METHOD CAN DRAIN FLAT AREA TO STEEP SLOPES. INLET CAPACITY WILL DECREASE WITH THIS METHOD AND CONTRACTOR SHALL EXPECT FLOODING TO OCCUR DURING HIGH FLOW EVENTS.

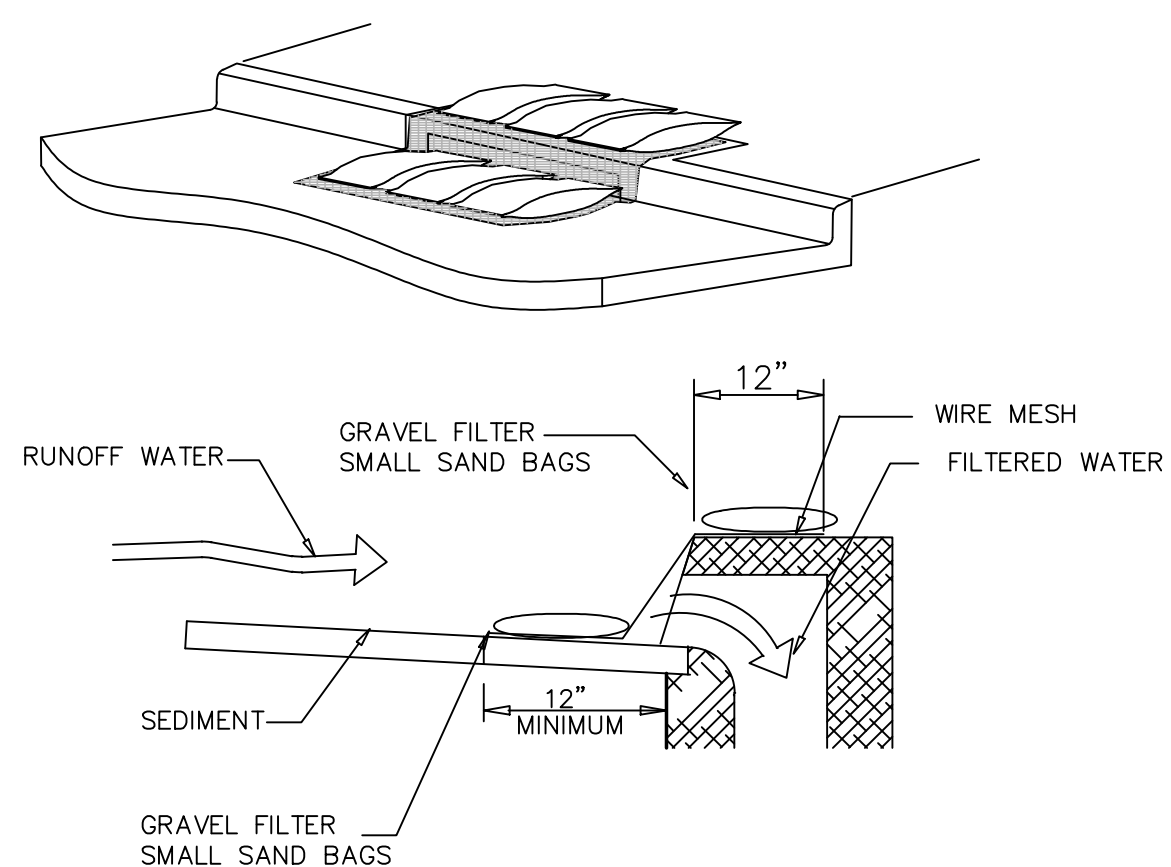
INSPECTION SCHEDULE SHALL COMPLY WITH THE 2008 EPA CONSTRUCTION GENERAL PERMIT MAINTENANCE SHALL OCCUR WHEN NECESSARY. SILT SACKS SHALL BE CLEANED ONCE THE BAG IS FILLED HALF WAY WITH DEBRIS. CONTRACTOR SHALL REMOVE SILT SACK AND PLACE NEW UNIT. DO NOT EMPTY SILT SACK CONTENTS INTO THE CATCHBASIN.

CATCH BASIN W/ SILT SACK INLET PROTECTION

C3.3.1

GRATE INLET PROTECTION DETAIL

SCALE: N.T.S.



- ### NOTES:
1. WITHIN FORTY EIGHT (48) HOURS OF POURING THE BLOCKOUT AND TOP, PLACE WIRE MESH WITH 12" OPENINGS OVER ALL CURB AND GRATE INLET OPENINGS SO THAT AT LEAST 12" OF WIRE EXTENDS ACROSS THE INLET COVER-GUTTER AND AROUND ALL DEBRIS AS ILLUSTRATED.
 2. PLACE SMALL SAND BAGS AGAINST THE WIRE SO AS TO ANCHOR SAME AGAINST THE GUTTER, GRATE AND INLET COVER.
 3. IF THE SEDIMENT FILTER BECOMES CLOGGED WITH DEBRIS SO THAT IT NO LONGER ADEQUATELY PERFORMS ITS FUNCTION, REMOVE THE SAND BAGS, CLEAN IT AND REPLACE THE SAND BAGS.
 4. MAKE WEEKLY INSPECTIONS OF THESE SEDIMENT FILTERS FOR CONFORMANCE TO THESE CONDITIONS. PARTICULARLY INSPECT ALL INLETS AFTER EACH RAIN. COMPLETELY REMOVE ALL SEDIMENT FILTERS UPON ESTABLISHMENT OF GRASS AND FINAL STABILIZATION OF CONSTRUCTION SITE.
 5. DO NOT USE A SEDIMENT FILTER TO CONTROL EROSION AROUND "Y" INLETS. UTILIZE SEDIMENT FENCES.

C3.3.2

CURB INLET PROTECTION DETAIL

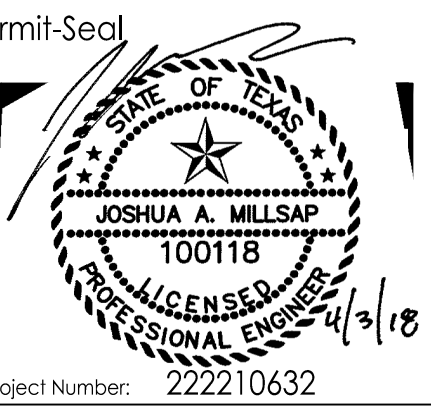
SCALE: N.T.S.

LANDMARK EXTENSION	JDB	JAM	JAM	18.02.08
REVISION	JDB	JAM	JAM	17.08.01
SANITARY SEWER REVISIONS	JDB	JAM	JAM	17.07.27
WCRP #103-HUB CITY RESPONSES	JDB	JAM	JAM	17.04.29
WCRP #102-GARAGE UPDATES	JDB	JAM	JAM	17.04.28
Revision	By	App'd.	YYMMDD	
				YYMMDD
				Issued

PROJECT RECORD

North Texas Contracting, Inc.
 7/16/18
 Carson Collier, Project Manager

Client/Project
 CAWLEY PARTNERS
 Cowley - Fourteen555
 14555 DALLAS PARKWAY
 TOWN OF ADDISON, DALLAS COUNTY, TX
 Title
 EROSION & SEDIMENTATION CONTROL DETAILS



Permit Seal

Project Number: 222210632

File Name: 10632dl16-ul1.dwg

JDB	JAM	JAM	18.02.08
Dwn.	Chkd.	Dsgn.	YYMMDD

Drawing No. C3.3

Revision Sheet

C3.3