

STORM SEWER – GENERAL NOTES:

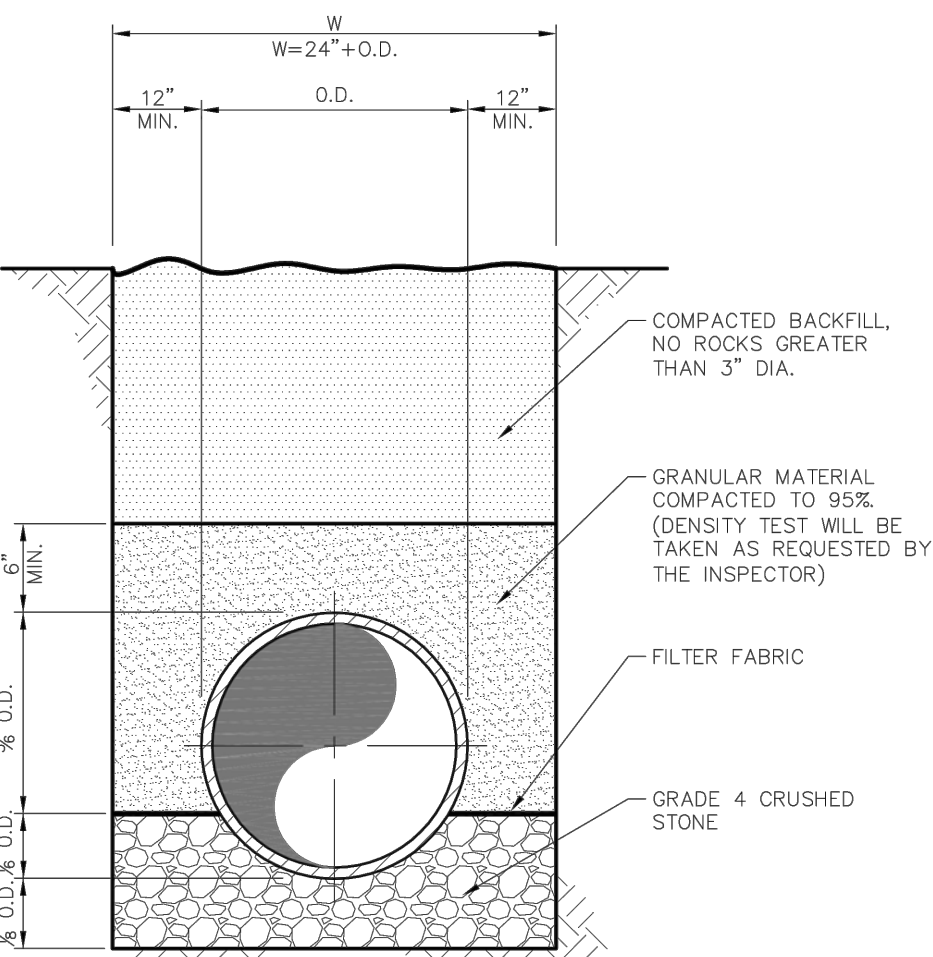
1. ALL CONCRETE DRAINAGE STRUCTURES SHALL BE CLASS C CONCRETE MINIMUM.
2. ALL CRUSHED STONE SHALL BE 3/4", PASSING #4 SIEVE (GRADE 4).
3. ALL FIELD JOINTS WILL BE APPROVED BY THE TOWN ENGINEER IF NECESSARY. FIELD JOINTS SHALL BE WIPED ON THE INSIDE AND OUTSIDE TO PROVIDE FOR SMOOTH FLOW OF WATER.
4. RAMNECK COMPOUND OR APPROVED EQUAL SHALL BE USED FOR JOINT SEALS.
5. ALL STORM SEWER PIPE SHALL BE CAMERA INSPECTED AFTER THE INSTALLATION OF ALL PAVING AND UTILITIES AND PRIOR TO FINAL ACCEPTANCE OF THE PROJECT.

Addison!
PUBLIC WORKS DEPARTMENT

STORM SEWER GENERAL NOTES

STANDARD CONSTRUCTION DETAILS STORM DRAINAGE

DATE:	REV DATE:	SHEET :
AUGUST, 2010	-	SD-001



RCP STORM SEWER PIPE BEDDING
NTS

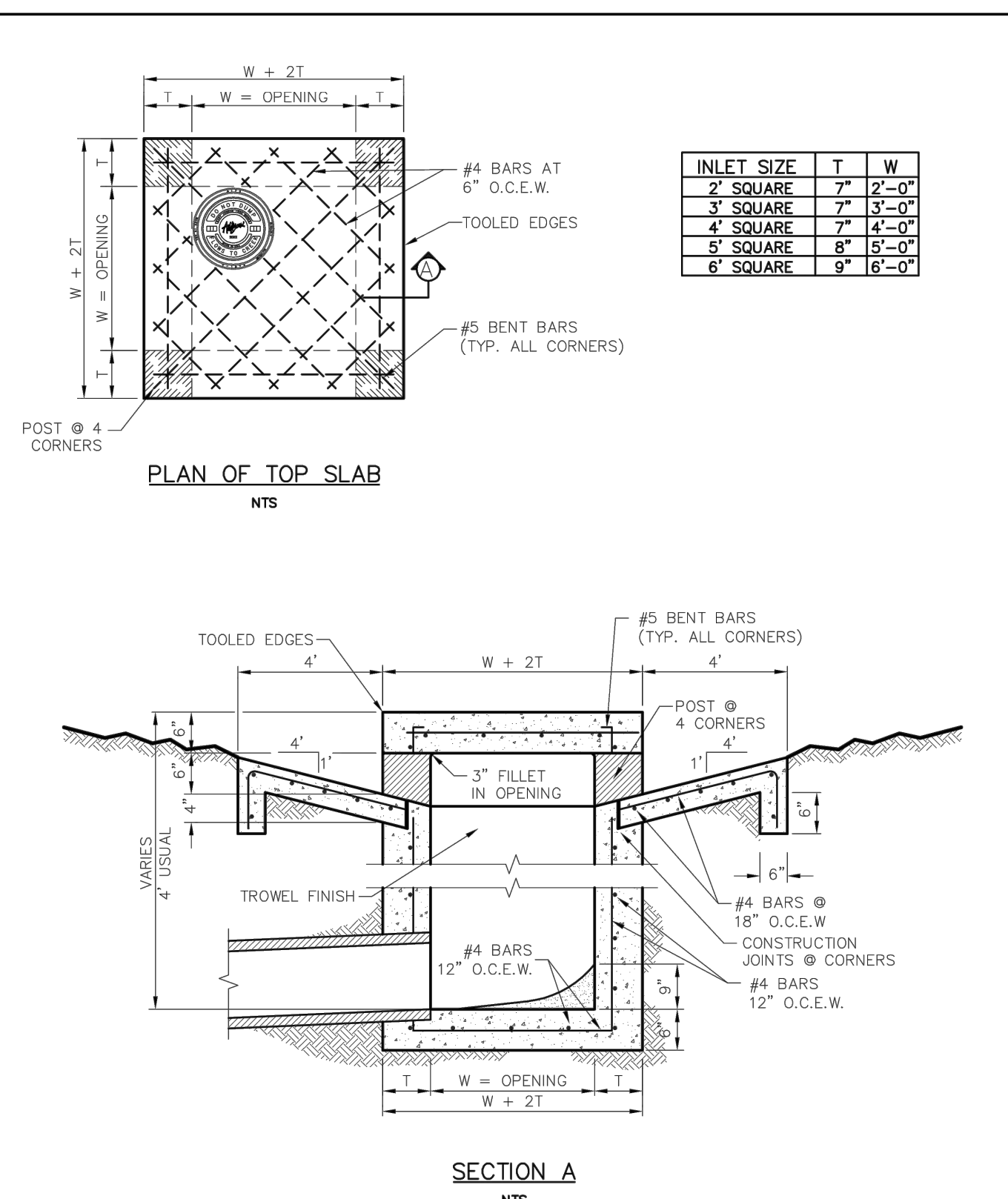
NOTE:
1. THE DEPTH OF TRENCH BELOW THE PROPOSED CONDUIT SHALL BE AS FOLLOWS:
- 3" MIN. FOR 27" PIPE & SMALLER.
- 4" MIN. FOR 30" TO 60" PIPE.
- 6" MIN. FOR 66" PIPE OR LARGER.

Addison!
PUBLIC WORKS DEPARTMENT

RCP STORM SEWER PIPE BEDDING

STANDARD CONSTRUCTION DETAILS STORM DRAINAGE

DATE:	REV DATE:	SHEET :
AUGUST, 2010	-	SD-003



PLAN OF TOP SLAB
NTS

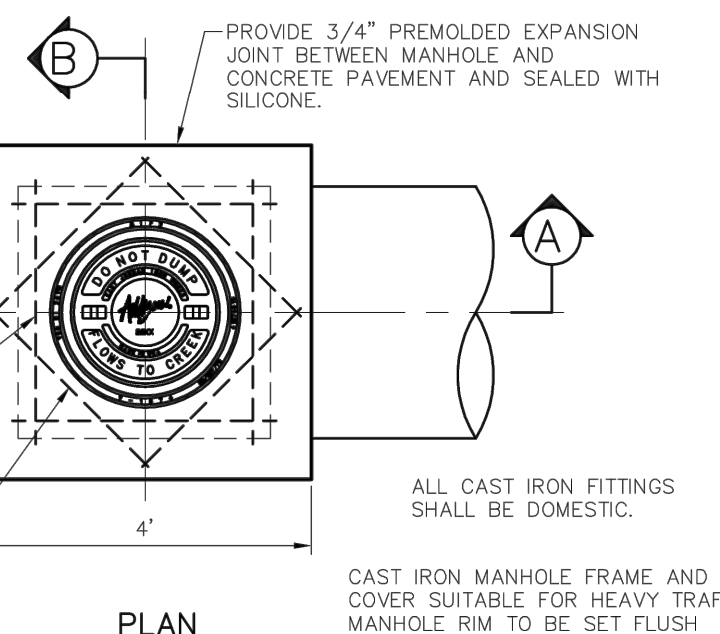
SECTION A
NTS

Addison!
PUBLIC WORKS DEPARTMENT

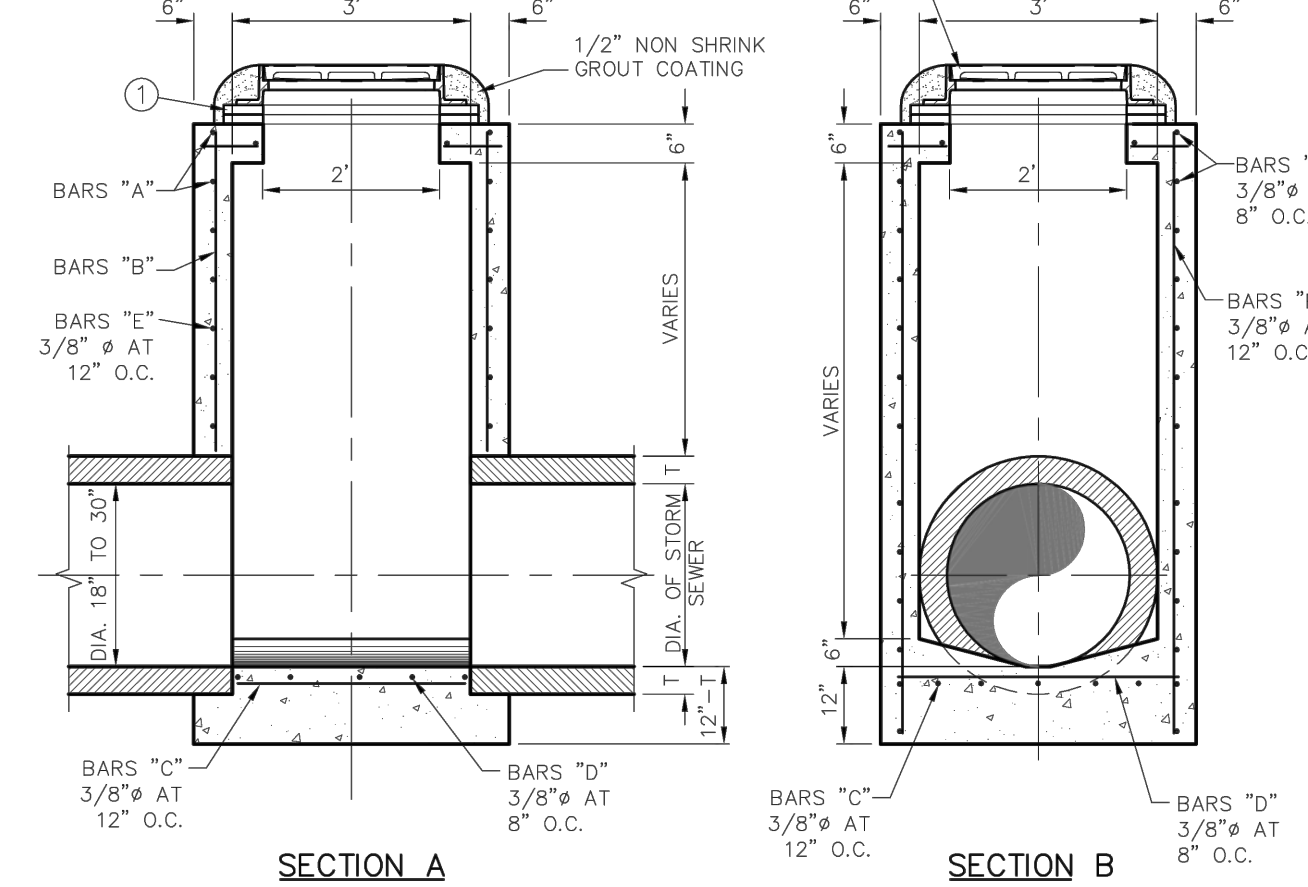
WYE INLET DETAIL

STANDARD CONSTRUCTION DETAILS STORM DRAINAGE

DATE:	REV DATE:	SHEET :
AUGUST, 2010	-	SD-009



PLAN
NTS



SECTION A
NTS

SECTION B
NTS

Addison!
PUBLIC WORKS DEPARTMENT

TYPE "A" STORM SEWER MANHOLE (FOR 18" TO 30" RCP)

STANDARD CONSTRUCTION DETAILS STORM DRAINAGE

DATE:	REV DATE:	SHEET :
AUGUST, 2010	-	SD-006

DATE	BY	APPD.	REVISION
18.02.08	JAM		
17.08.01	JAM		
17.07.27	JAM		
17.08.29	JAM		
17.04.28	JAM		
YY.MM.DD		YY.MM.DD	
By		Appd.	

ISSUED

PROJECT RECORD

To the best of North Texas Contracting, Inc. belief and knowledge the as-built conditions shown on this drawing constitute an accurate and complete depiction of the manner in which this portion of the work was actually installed.

North Texas Contracting, Inc.
7/16/18
Carson Collier, Project Manager

Cawley Partners

Client/Project
CAWLEY PARTNERS

Cawley - Fourteen555
14555 DALLAS PARKWAY
TOWN OF ADDISON, DALLAS COUNTY, TEXAS

Title
PUBLIC STORM DRAINAGE DETAILS

Permit/Seal
JOSHUA A. MILLSAP
100118
PROFESSIONAL ENGINEER
7/13/18

Project Number: 222210632