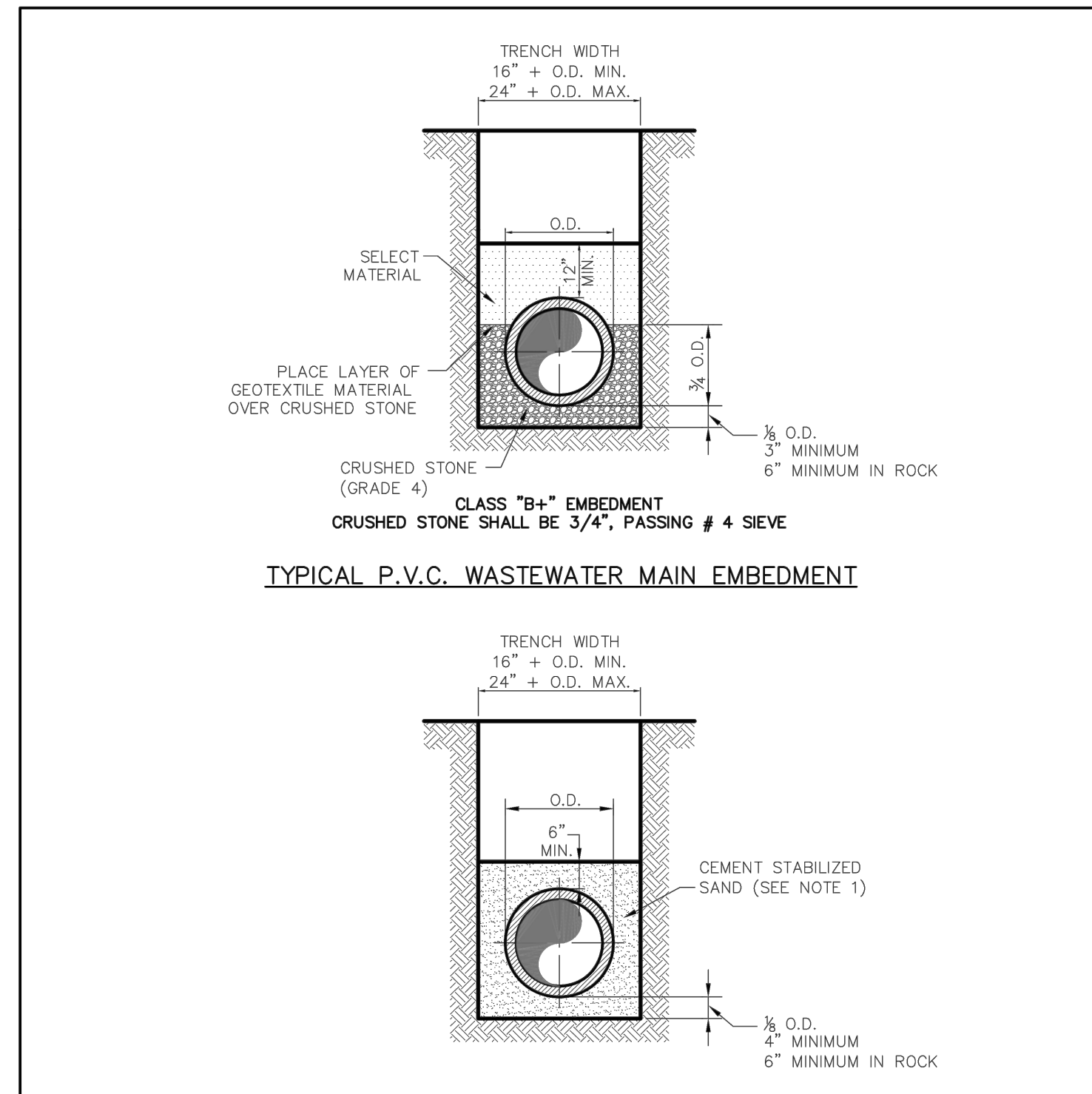


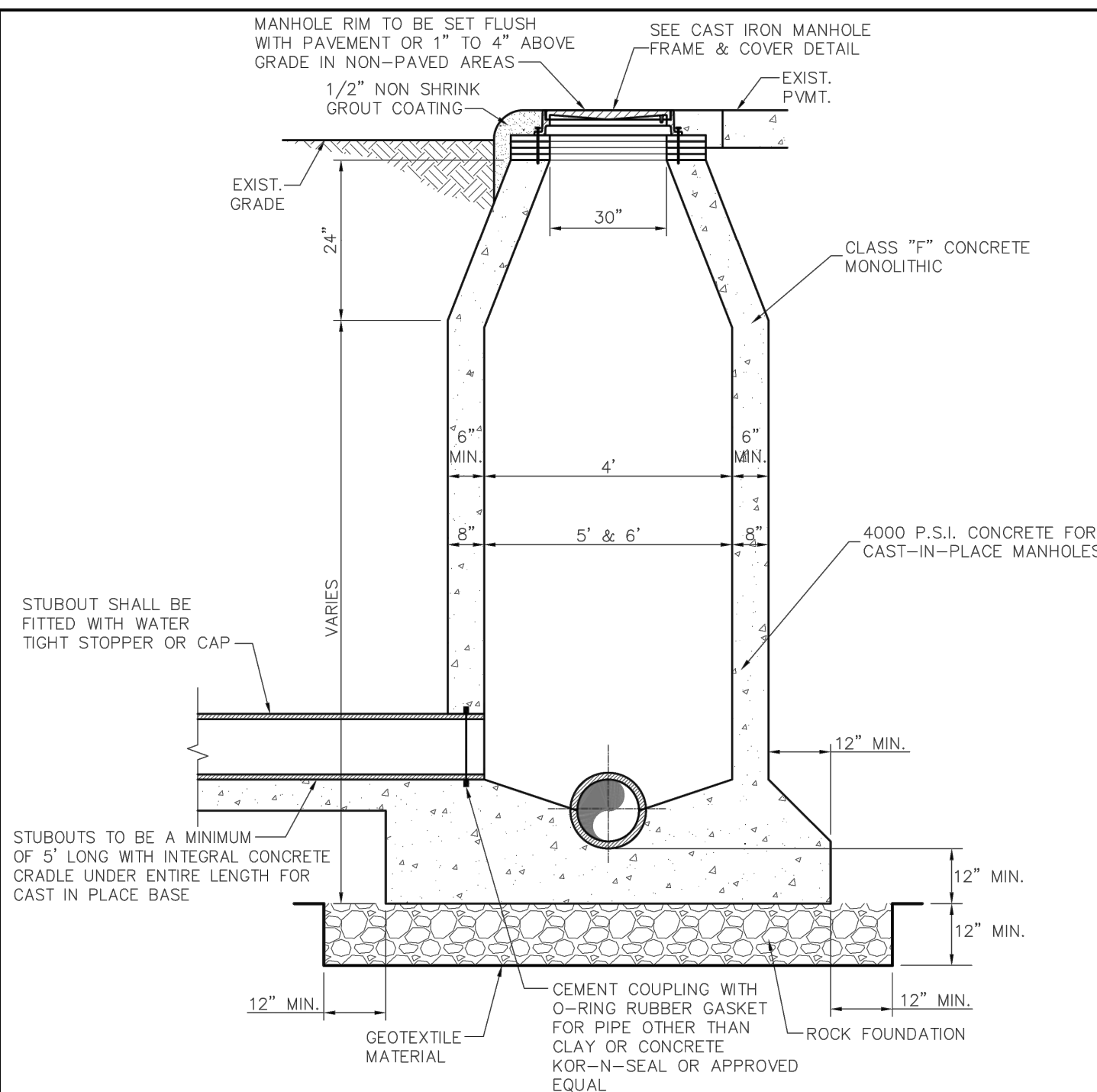
- NOTES:**
- THERE SHALL BE SMOOTH TRANSITION BETWEEN THE FRAME GRADE RING, OR THE GRADE RING AND THE CONE.
 - CONCRETE EXTENSION RINGS MAY BE PRECAST OR CAST-IN-PLACE. BRICK EXTENSION RINGS WILL NOT BE ALLOWED.
 - STANDARD EXTENSIONS SHALL BE 2", 3", 4", 6", AND 12". EXTENSIONS SHALL BE SIZED TO MINIMIZE THE NUMBER REQUIRED TO RAISE THE MANHOLE, NO MORE THAN A TOTAL OF 14" OF EXTENSION WILL BE ALLOWED ON ANY MANHOLE.

| | | | | |
|-----------------------------|-----------------------------------|--|-------------|----------------|
| PUBLIC WORKS DEPARTMENT | CAST IRON MANHOLE FRAME AND COVER | STANDARD CONSTRUCTION DETAILS WASTEWATER | | |
| | | DATE: AUGUST, 2010 | REV DATE: - | SHEET: SD-WW01 |



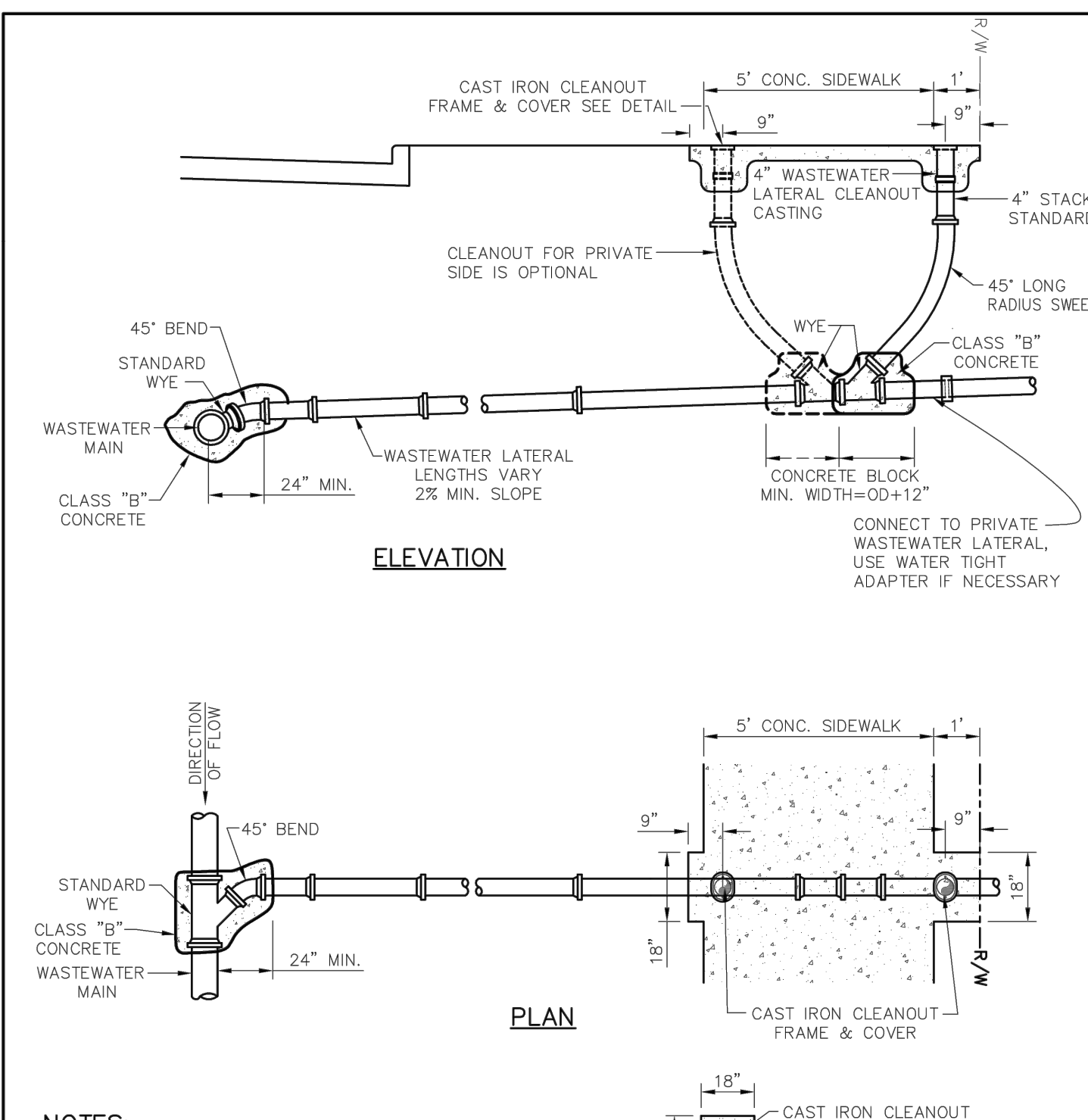
- NOTE:**
- CEMENT STABILIZED SAND SHALL HAVE A MINIMUM OF 10% CEMENT PER CUBIC YARD OF CEMENT STABILIZED SAND MIXTURE, BASED ON LOOSE DRY WEIGHT VOLUME (AT LEAST 2.5 BAGS OF CEMENT PER CUBIC YARD OF MIXTURE). THE USE OF BROWN COLORING IN CEMENT STABILIZED SAND IS REQUIRED FOR PRESSURE RATED WASTEWATER MAIN AND LATERAL BEDDING.

| | | | | |
|-----------------------------|----------------------------------|--|-------------|----------------|
| PUBLIC WORKS DEPARTMENT | P.V.C. WASTEWATER MAIN EMBEDMENT | STANDARD CONSTRUCTION DETAILS WASTEWATER | | |
| | | DATE: AUGUST, 2010 | REV DATE: - | SHEET: SD-WW01 |



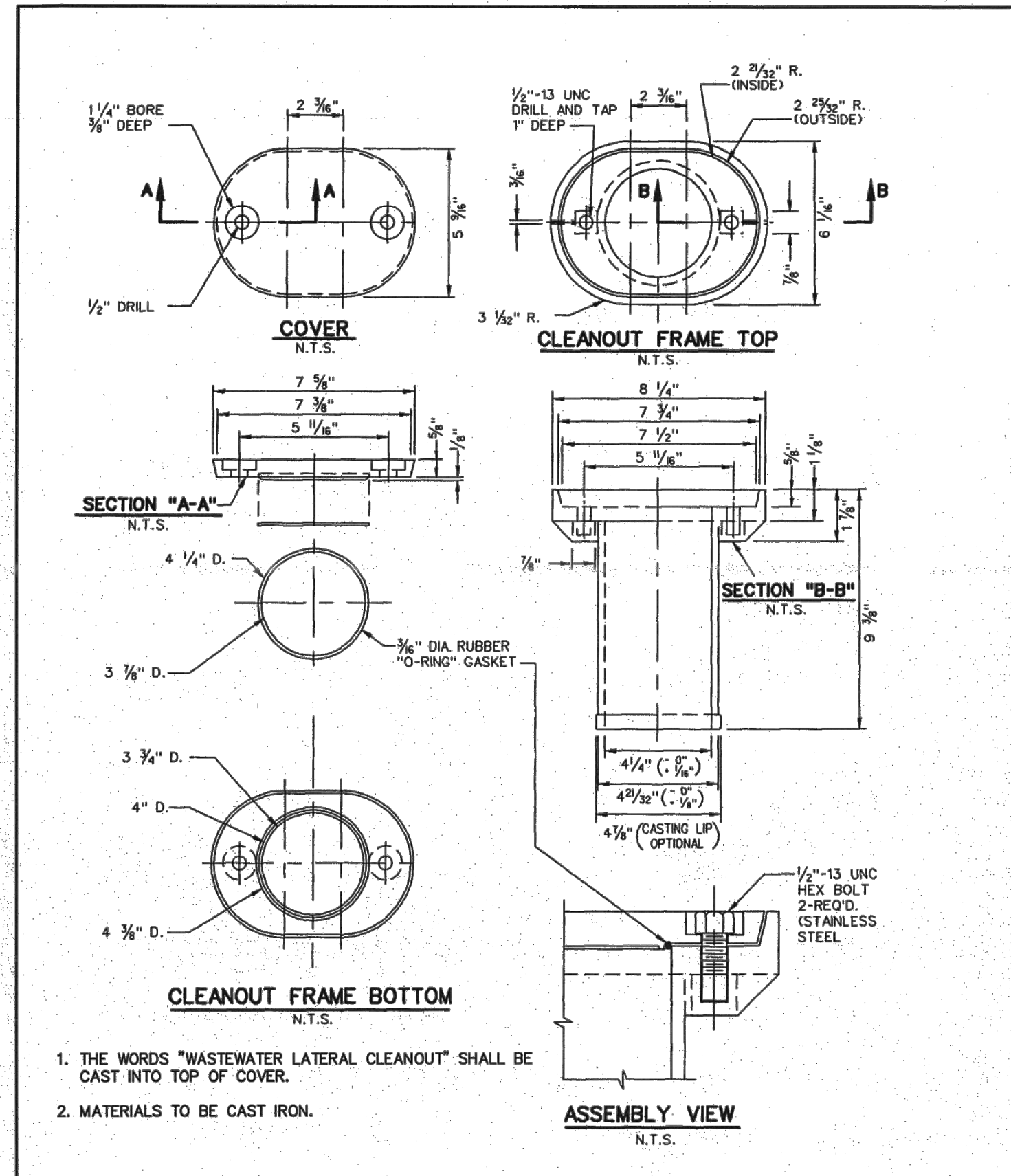
- NOTES:**
- IF FALSE MANHOLE BOTTOMS ARE REQUIRED, THEY SHALL BE CONSTRUCTED, INSTALLED, AND REMOVED PER WASTEWATER MANHOLE FALSE BOTTOM STD. DETAIL.
 - WHERE MANHOLES ARE OUTSIDE OF PAVEMENT, FRAME & COVER SHALL BE CENTERED IN 5'x5' CONCRETE PAD CLASS 'A' CONCRETE, 4" THICK.
 - ALL MANHOLES SHALL PASS VACUUM TEST AS PER NOTOGG SPECIFICATIONS.
- CAST-IN-PLACE NOTES:**
- KEYWAYS REQUIRED FOR ALL CONSTRUCTION JOINTS.
 - P.V.C. WATER STOP REQUIRED FOR ALL JOINTS IN LOWER 4'-0" OF MANHOLES.
 - CONCRETE SHALL BE 4000 P.S.I.

| | | | | |
|-----------------------------|-----------------------|--|-------------|----------------|
| PUBLIC WORKS DEPARTMENT | CAST-IN-PLACE MANHOLE | STANDARD CONSTRUCTION DETAILS WASTEWATER | | |
| | | DATE: AUGUST, 2010 | REV DATE: - | SHEET: SD-WW04 |



- NOTES:**
- WASTEWATER LATERALS ARE TO BE CONSTRUCTED TO CLEAR EXISTING AND PROPOSED FACILITIES, SUCH AS STORM DRAIN MAINS, RETAINING WALLS, OTHER UTILITIES, ETC.
 - THE WASTEWATER LATERAL SHALL HAVE MINIMUM COVER OF 4'-0" BELOW THE PROPOSED CURB GRADE AT THE PROPERTY LINE, DETERMINED FROM PAVING GRADE, OR AS REQUIRED TO MAINTAIN A MINIMUM OF 2.0% GRADE, OR AS DIRECTED BY THE OWNER.

| | | | | |
|-----------------------------|-----------------------------------|--|-------------|----------------|
| PUBLIC WORKS DEPARTMENT | TWO-WAY CLEANOUT NEW CONSTRUCTION | STANDARD CONSTRUCTION DETAILS WASTEWATER | | |
| | | DATE: AUGUST, 2010 | REV DATE: - | SHEET: SD-WW02 |



- THE WORDS "WASTEWATER LATERAL CLEANOUT" SHALL BE CAST INTO TOP OF COVER.
- MATERIALS TO BE CAST IRON.

| | | | | |
|-----------------------------|----------------------------------|--|-------------|----------------|
| PUBLIC WORKS DEPARTMENT | CAST IRON CLEANOUT FRAME & COVER | STANDARD CONSTRUCTION DETAILS WASTEWATER | | |
| | | DATE: AUGUST, 2010 | REV DATE: - | SHEET: SD-WW03 |

| | | | | | | | | | |
|------------------------------|--------------|--------------|--------------|--------------|--------------|--------|----|-------|--------|
| LANDMARK EXTENSION | JAN 18.02.08 | JAN 17.08.01 | JAN 17.07.27 | JAN 17.06.29 | JAN 17.04.28 | Y1MMDD | By | Appd. | YYMMDD |
| SANITARY SEWER REVISIONS | | | | | | | | | |
| WCP# 103 - HUD CITY RESPONSE | | | | | | | | | |
| WCP# 102 - GARAGE UPDATES | | | | | | | | | |
| REVISION | | | | | | | | | |

PROJECT RECORD
To the best of North Texas Contracting, Inc. belief and knowledge the as-built conditions shown on this drawing constitute an accurate and complete depiction of the manner in which this portion of the work was actually installed.
North Texas Contracting, Inc.
Carson Collier, Project Manager
7/16/18

Client/Project
CAWLEY PARTNERS
Cowley - Fourteen555
14555 DALLAS PARKWAY
TOWN OF ADDISON, DALLAS COUNTY, TEXAS
Title
TOWN OF ADDISON SANITARY SEWER DETAILS

Permit-Seal

Project Number: 222210632
File Name: 10632dlf6-ult.dwg

| | | | |
|-------------|-------|-------|----------|
| JDB | JAM | JAM | 18.02.08 |
| Dwn. | Chkd. | Dsgn. | YYMMDD |
| Drawing No. | C5.5 | | |
| Revision | Sheet | | |