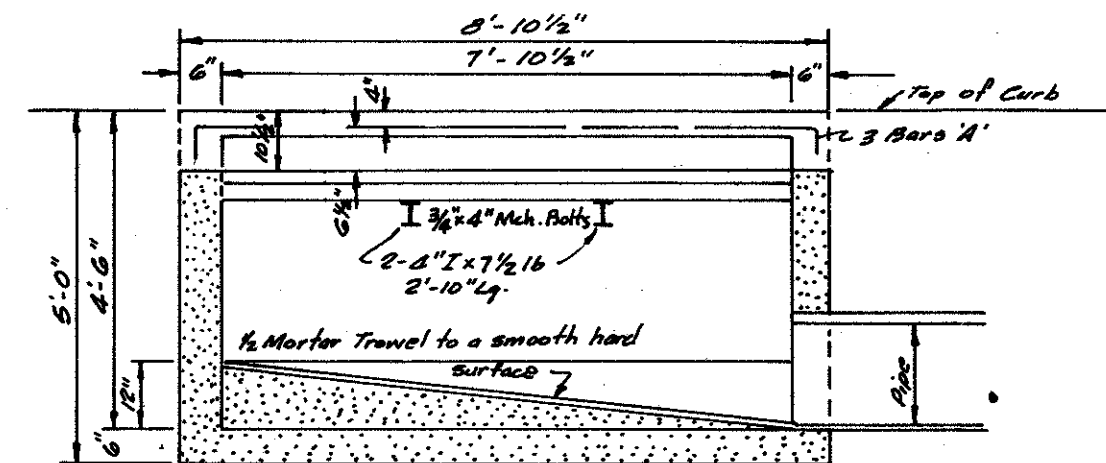
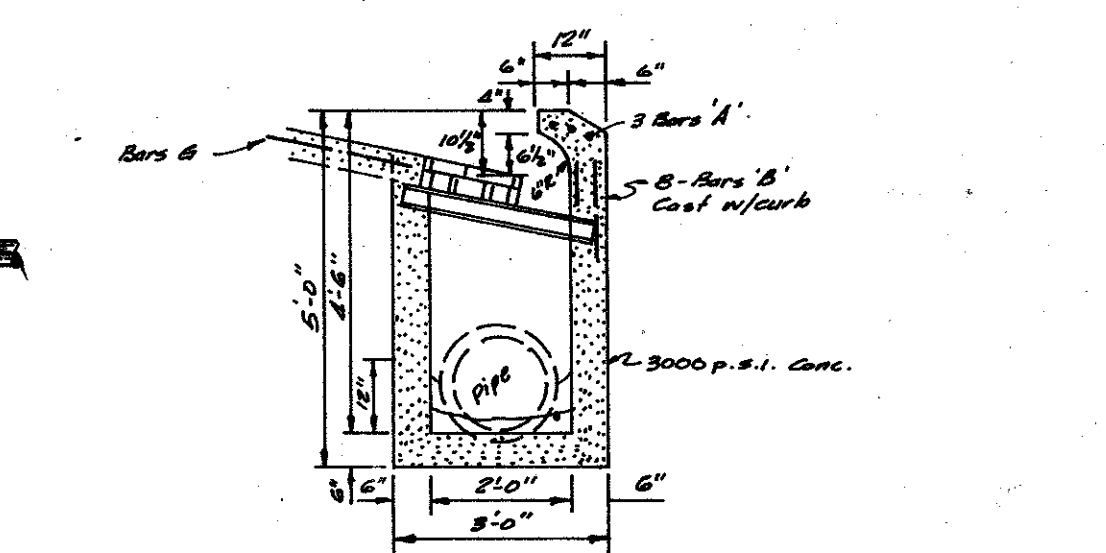


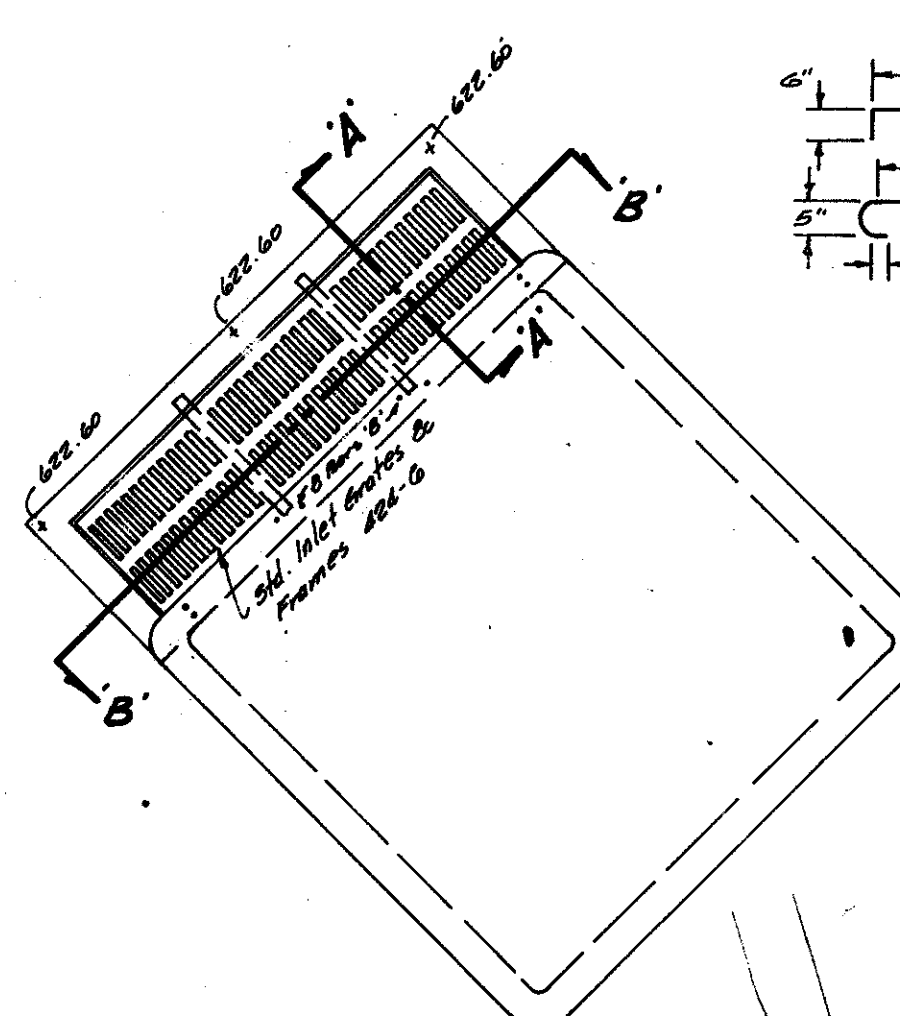
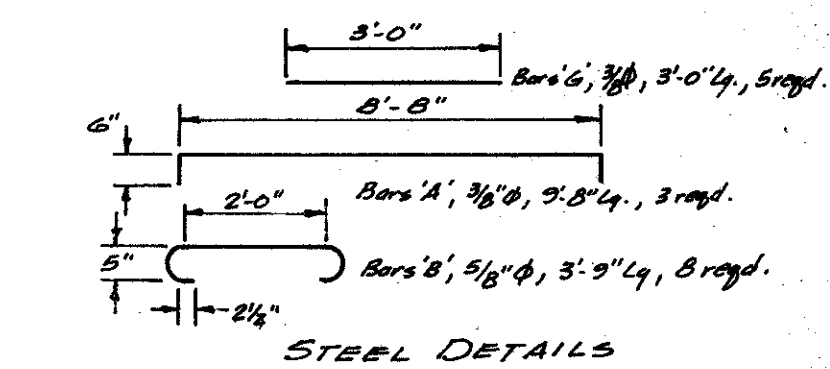
Note: Exist. Topo. from Drawing by Cook Consultants 5/30/79 & 6/13/79



SECTION B-B



SECTION A-A



PLAN - DETAIL

CITY OF ADDISON
APPROVED
FOR CONSTRUCTION

BUILDING DEPARTMENT

DATE: _____

CONTRACTOR IS HEREBY INSTRUCTED TO EXERCISE CARE IN MEETING OR EXCEEDING ALL REQUIREMENTS OF BOTH NATIONAL AND LOCAL CODES AND ALL ORDINANCES APPLICABLE TO HIS WORK. APPROVAL OF THESE DRAWINGS SHALL NOT BE CONSTRUED TO RELIEVE RESPONSIBILITY OR IMPLY VARIANCE FROM SUCH CODES.

date	revisions
12/31/79	1
12/31/79	2
12/31/79	3
12/31/79	4
12/31/79	5
12/31/79	6
12/31/79	7
12/31/79	8
12/31/79	9
12/31/79	10
12/31/79	11
12/31/79	12
12/31/79	13
12/31/79	14
12/31/79	15
12/31/79	16
12/31/79	17
12/31/79	18
12/31/79	19
12/31/79	20
12/31/79	21
12/31/79	22
12/31/79	23
12/31/79	24
12/31/79	25
12/31/79	26
12/31/79	27
12/31/79	28
12/31/79	29
12/31/79	30
12/31/79	31
12/31/79	32
12/31/79	33
12/31/79	34
12/31/79	35
12/31/79	36
12/31/79	37
12/31/79	38
12/31/79	39
12/31/79	40
12/31/79	41
12/31/79	42
12/31/79	43
12/31/79	44
12/31/79	45
12/31/79	46
12/31/79	47
12/31/79	48
12/31/79	49
12/31/79	50
12/31/79	51
12/31/79	52
12/31/79	53
12/31/79	54
12/31/79	55
12/31/79	56
12/31/79	57
12/31/79	58
12/31/79	59
12/31/79	60
12/31/79	61
12/31/79	62
12/31/79	63
12/31/79	64
12/31/79	65
12/31/79	66
12/31/79	67
12/31/79	68
12/31/79	69
12/31/79	70
12/31/79	71
12/31/79	72
12/31/79	73
12/31/79	74
12/31/79	75
12/31/79	76
12/31/79	77
12/31/79	78
12/31/79	79
12/31/79	80
12/31/79	81
12/31/79	82
12/31/79	83
12/31/79	84
12/31/79	85
12/31/79	86
12/31/79	87
12/31/79	88
12/31/79	89
12/31/79	90
12/31/79	91
12/31/79	92
12/31/79	93
12/31/79	94
12/31/79	95
12/31/79	96
12/31/79	97
12/31/79	98
12/31/79	99
12/31/79	100

CREST VIEW SQUARE
9 STORY OFFICE BUILDING
ADDISON, TEXAS

Incorporated

2525 Stemmons fwy. Suite 327
Dallas, Texas 75207 631-0600