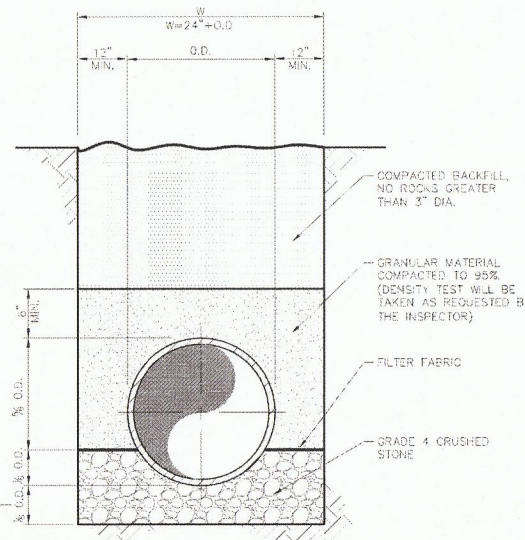


- GENERAL INSTALLATION NOTES:**
1. WATER METER SHALL BE PLACED IN CENTER OF LOT WITH THE SANITARY SEWER SERVICE TO BE LOCATED 10' DOWNSTREAM.
 2. METER AND BOX SHALL BE SET BY THE CONTRACTOR TO ADDISON STANDARDS IN ALL CASES.
 3. THE METER BOX SHALL BE SET WITHIN THE R.O.W. OR A DEDICATED UTILITY EASEMENT. IN ALL CASES, THE METER BOX SHALL BE PROTECTED FROM VEHICULAR TRAFFIC.
 4. WATER SERVICES SHALL NOT BE CONNECTED TO DEAD END LINES OR FIRE HYDRANT LEADS.
 5. ALL MATERIALS SHALL CONFORM TO THE TOWN OF ADDISON WATER SYSTEM REQUIREMENTS.

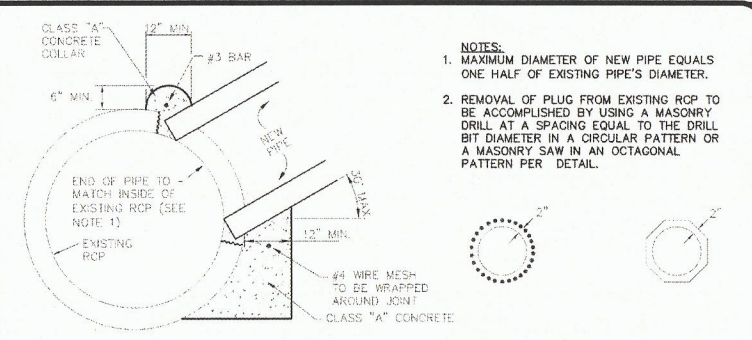
Type "K" Copper Service Pipe.	Double Strap Bronze Service Saddle with C.C. Threads	East Jordan Iron Works Galvanized Meter Box With Iron Ring & Cover				
		Min. Dia.	Covers & Rings	Min. Ht.	Min. Can Weight	Min. Total Weight
3/4 Inch	3/4 Inch	18 Inches	12% Inches	18 Inches	13 lbs.	42 lbs.
1 Inch	1 Inch	24 Inches	20% Inches	18 Inches	17 lbs.	98 lbs.
1 1/2 Inch	1 1/2 Inch	28 Inches	20% Inches	18 Inches	20 lbs.	127 lbs.
2 Inch	2 Inch	28 Inches	20% Inches	18 Inches	20 lbs.	127 lbs.

STORM SEWER - GENERAL NOTES:

1. ALL CONCRETE DRAINAGE STRUCTURES SHALL BE CLASS C CONCRETE MINIMUM.
2. ALL CRUSHED STONE SHALL BE 3/4", PASSING #4 SIEVE (GRADE 4).
3. ALL FIELD JOINTS WILL BE APPROVED BY THE TOWN ENGINEER IF NECESSARY. FIELD JOINTS SHALL BE WIPED ON THE INSIDE AND OUTSIDE TO PROVIDE FOR SMOOTH FLOW OF WATER.
4. RAMNECK COMPOUND OR APPROVED EQUAL SHALL BE USED FOR JOINT SEALS.
5. ALL STORM SEWER PIPE SHALL BE CAMERA INSPECTED AFTER THE INSTALLATION OF ALL PAVING AND UTILITIES AND PRIOR TO FINAL ACCEPTANCE OF THE PROJECT.

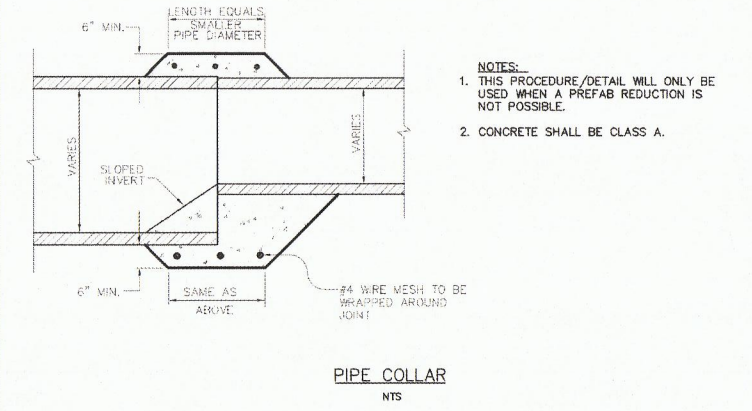


- NOTE:**
1. THE DEPTH OF TRENCH BELOW THE PROPOSED CONDUIT SHALL BE AS FOLLOWS:
 - 3" MIN. FOR 27" PIPE & SMALLER.
 - 4" MIN. FOR 30" TO 60" PIPE.
 - 6" MIN. FOR 66" PIPE OR LARGER.



CONNECTION TO EXISTING RCP STORM DRAIN

- NOTES:**
1. THIS PROCEDURE/DETAIL WILL ONLY BE USED WHEN A PREFAB REDUCTION IS NOT POSSIBLE.
 2. CONCRETE SHALL BE CLASS A.



Addison! PUBLIC WORKS DEPARTMENT

SERVICE CONNECTION WITH METER BOX

STANDARD CONSTRUCTION DETAILS WATER

DATE: AUGUST, 2010 REV. DATE: SHEET: SD-495

Addison! PUBLIC WORKS DEPARTMENT

STORM SEWER GENERAL NOTES

STANDARD CONSTRUCTION DETAILS STORM DRAINAGE

DATE: AUGUST, 2010 REV. DATE: SHEET: SD-494

Addison! PUBLIC WORKS DEPARTMENT

RCP STORM SEWER PIPE BEDDING

STANDARD CONSTRUCTION DETAILS STORM DRAINAGE

DATE: AUGUST, 2010 REV. DATE: SHEET: SD-503

Addison! PUBLIC WORKS DEPARTMENT

CONNECTION TO EXISTING RCP STORM DRAIN PIPE COLLAR

STANDARD CONSTRUCTION DETAILS STORM DRAINAGE

DATE: AUGUST, 2010 REV. DATE: SHEET: SD-505

