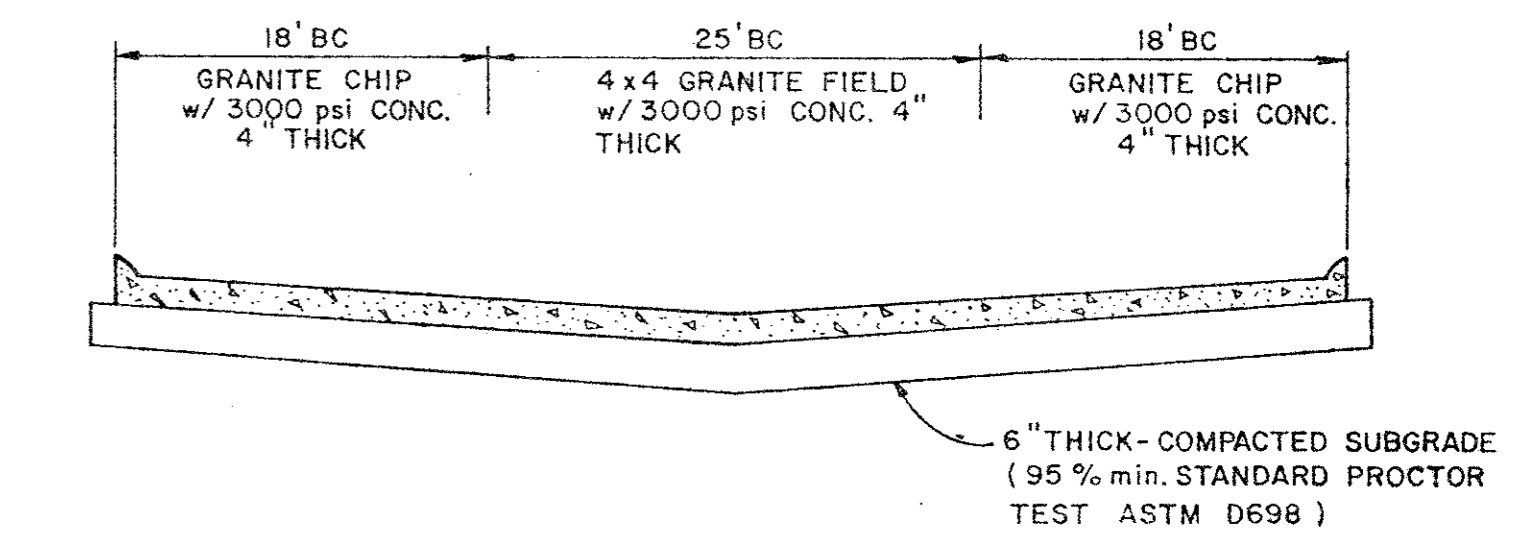
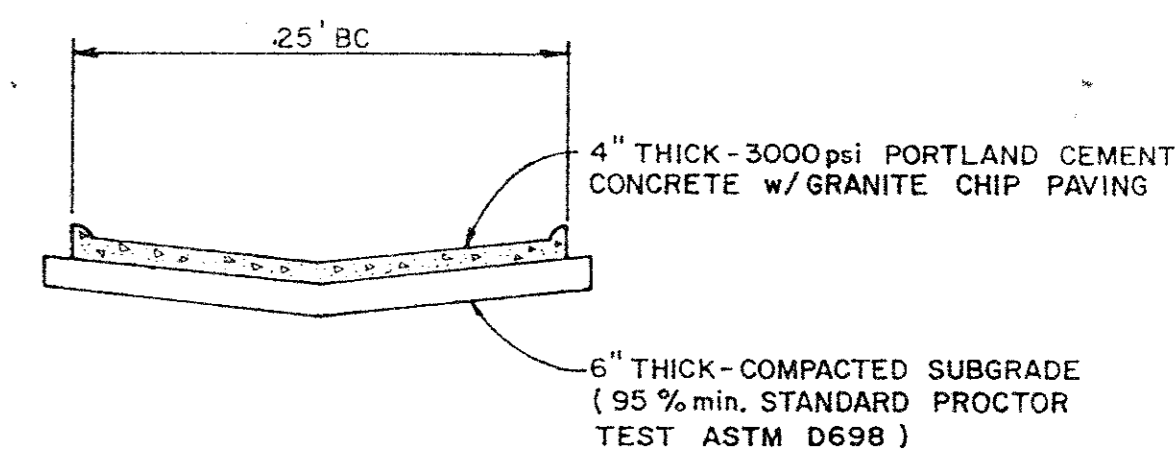


$\Delta = 19^\circ 15' 33''$
 $R = 238.00'$
 $T = 40.38'$
 $L = 80.00'$
 $L.C. = 79.62$

$\Delta = 25^\circ 01' 48''$
 $R = 470.90'$
 $T = 104.52'$
 $L = 205.72'$
 $L.C. = 204.07$

$\Delta = 23^\circ 59' 43''$
 $R = 260.00$
 $T = 55.25$
 $L = 108.89$
 $L.C. = 108.09$

$\Delta = 01^\circ 49' 22''$
 $R = 1250.92'$
 $L = 39.80'$

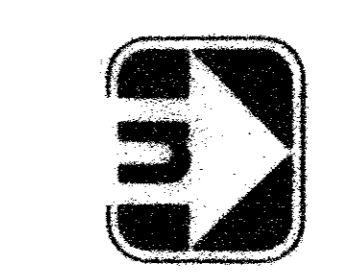


PAVING DETAILS

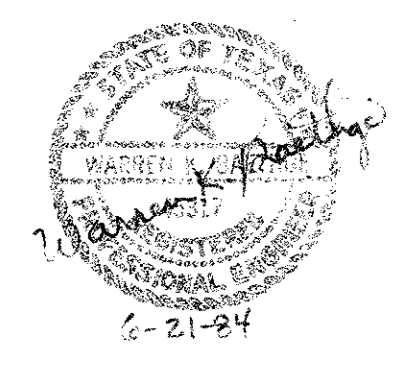
QUORUM DRIVE

DALLAS

PARKWAY



SCALE: 1" = 20'



DIMENSIONAL CONTROL	
THE ABERDEEN	
HURD DEVELOPMENT	
TOWN OF ADDISON	
DALLAS COUNTY, TEXAS	
Graham Associates, Inc. CONSULTING ENGINEERS & PLANNERS	Date 6-11-84
	File 9160-1008
Drawn By: G.A.I.D.	Sheet 2 of 8