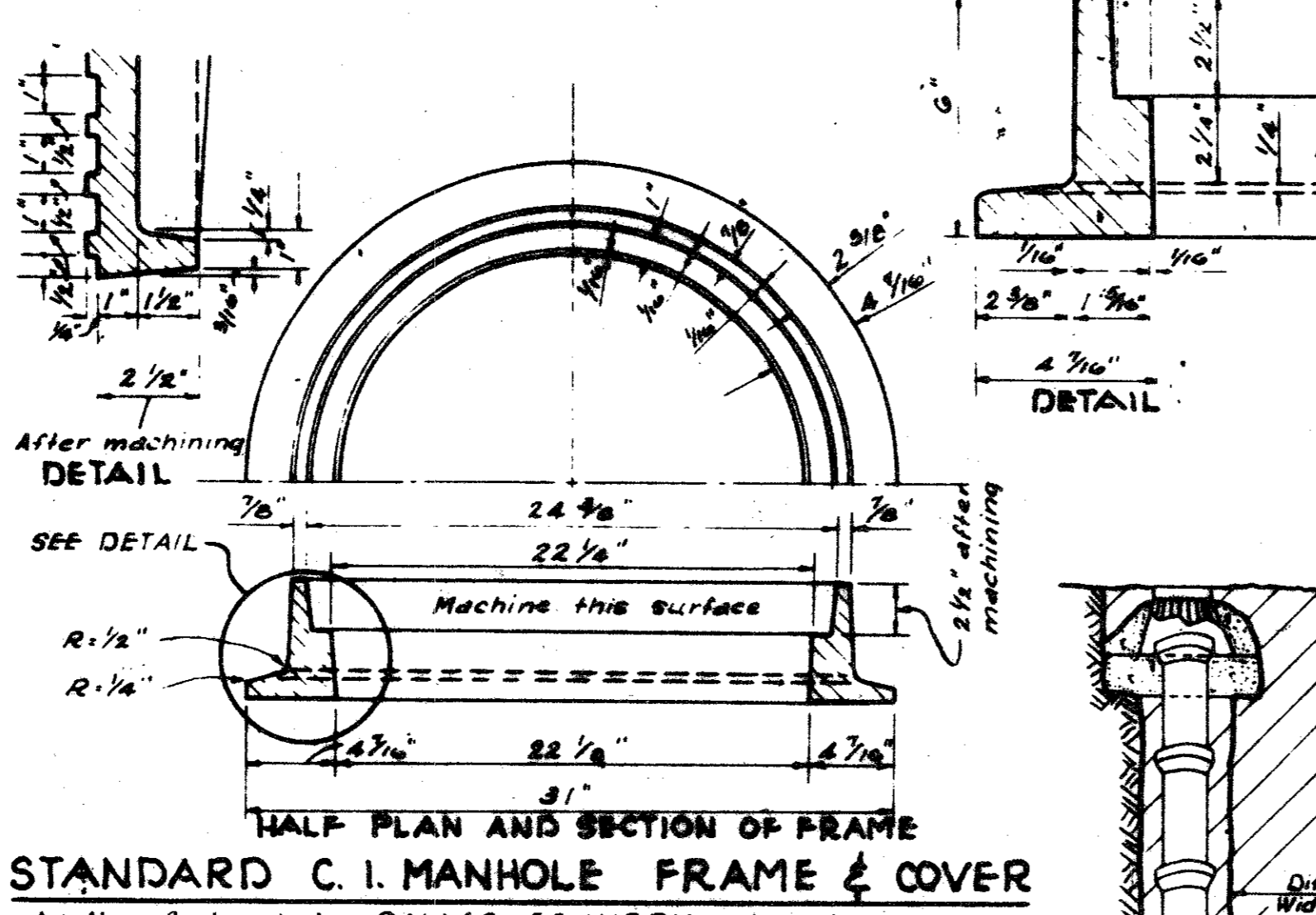
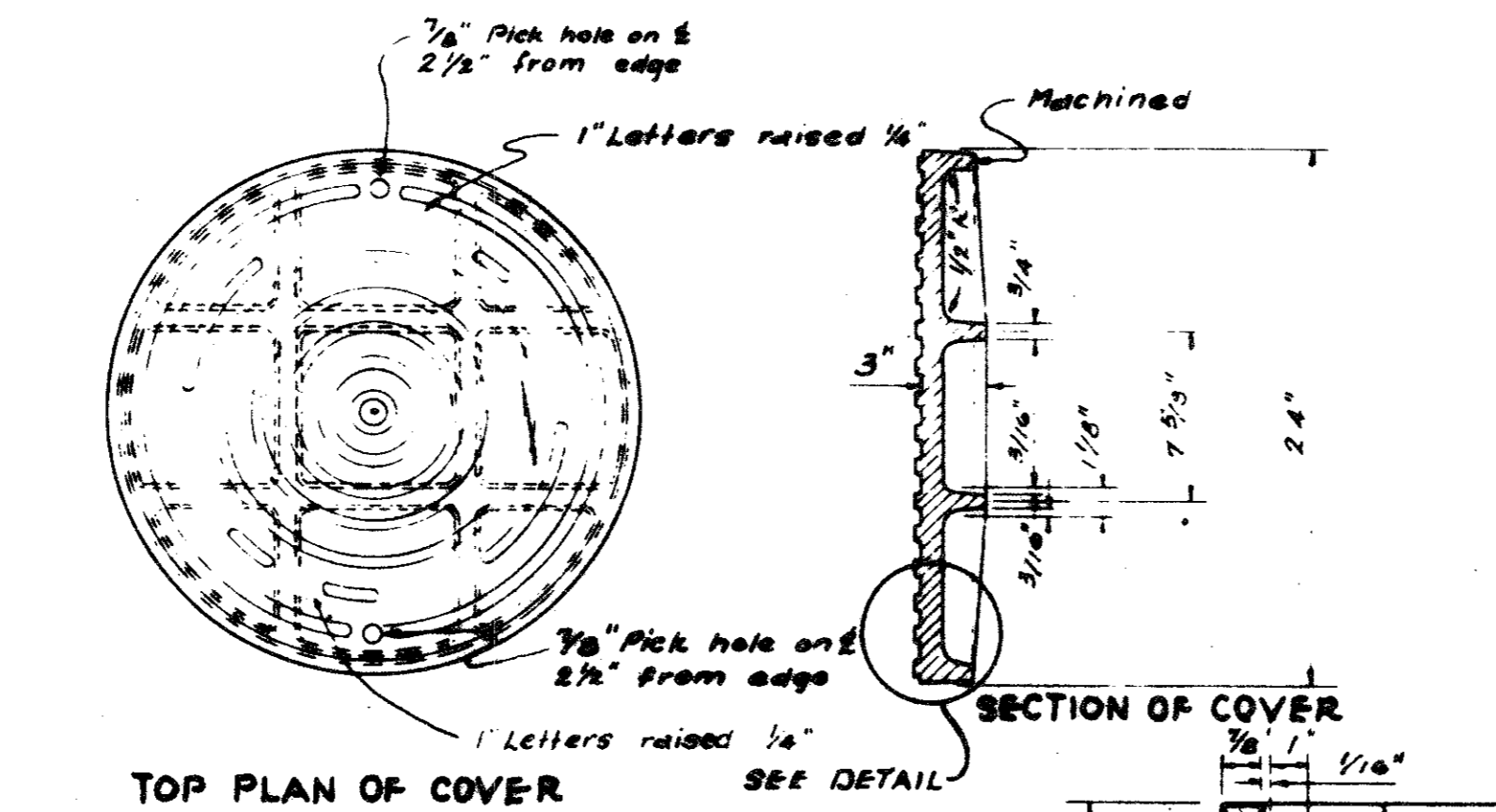
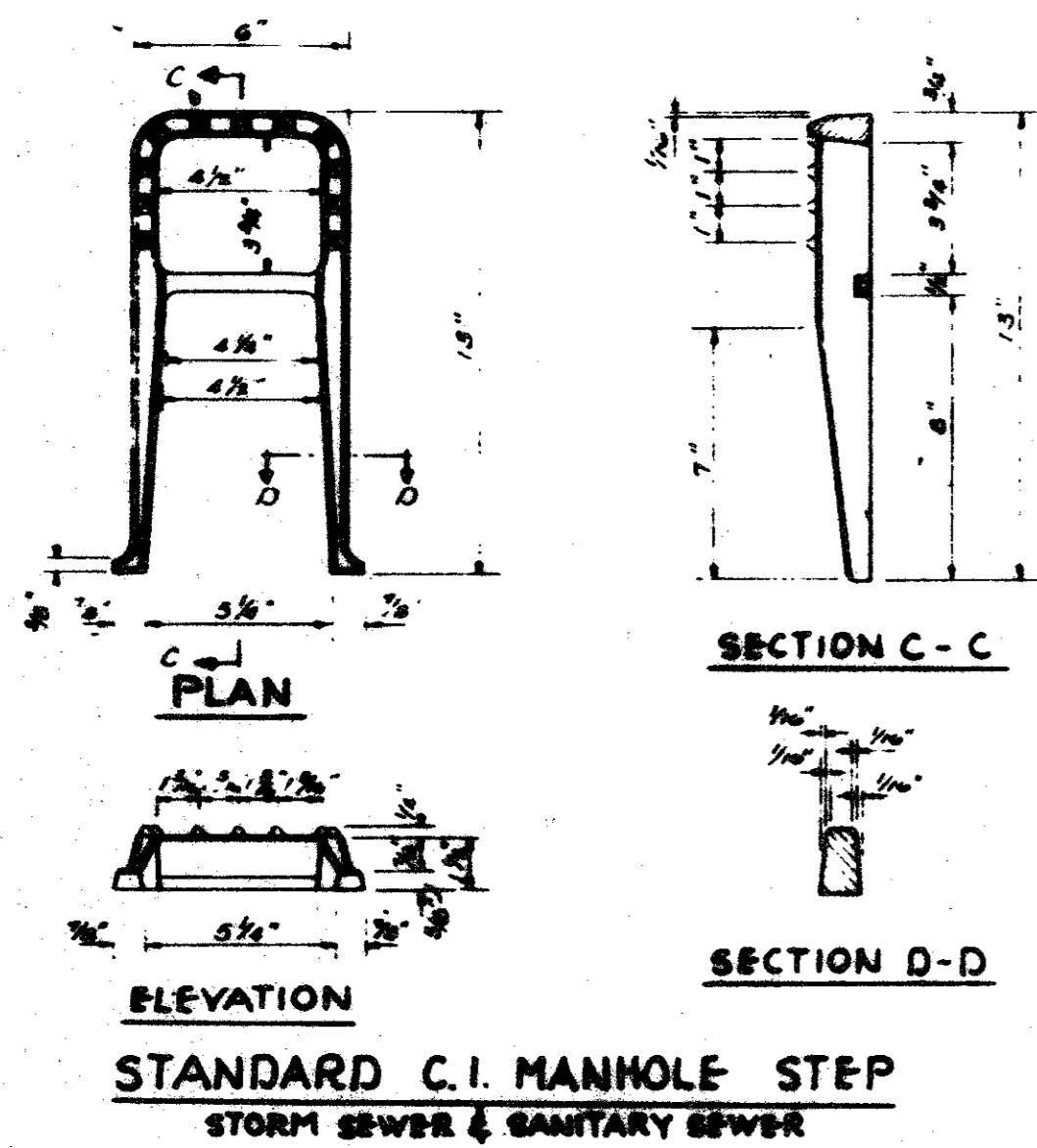
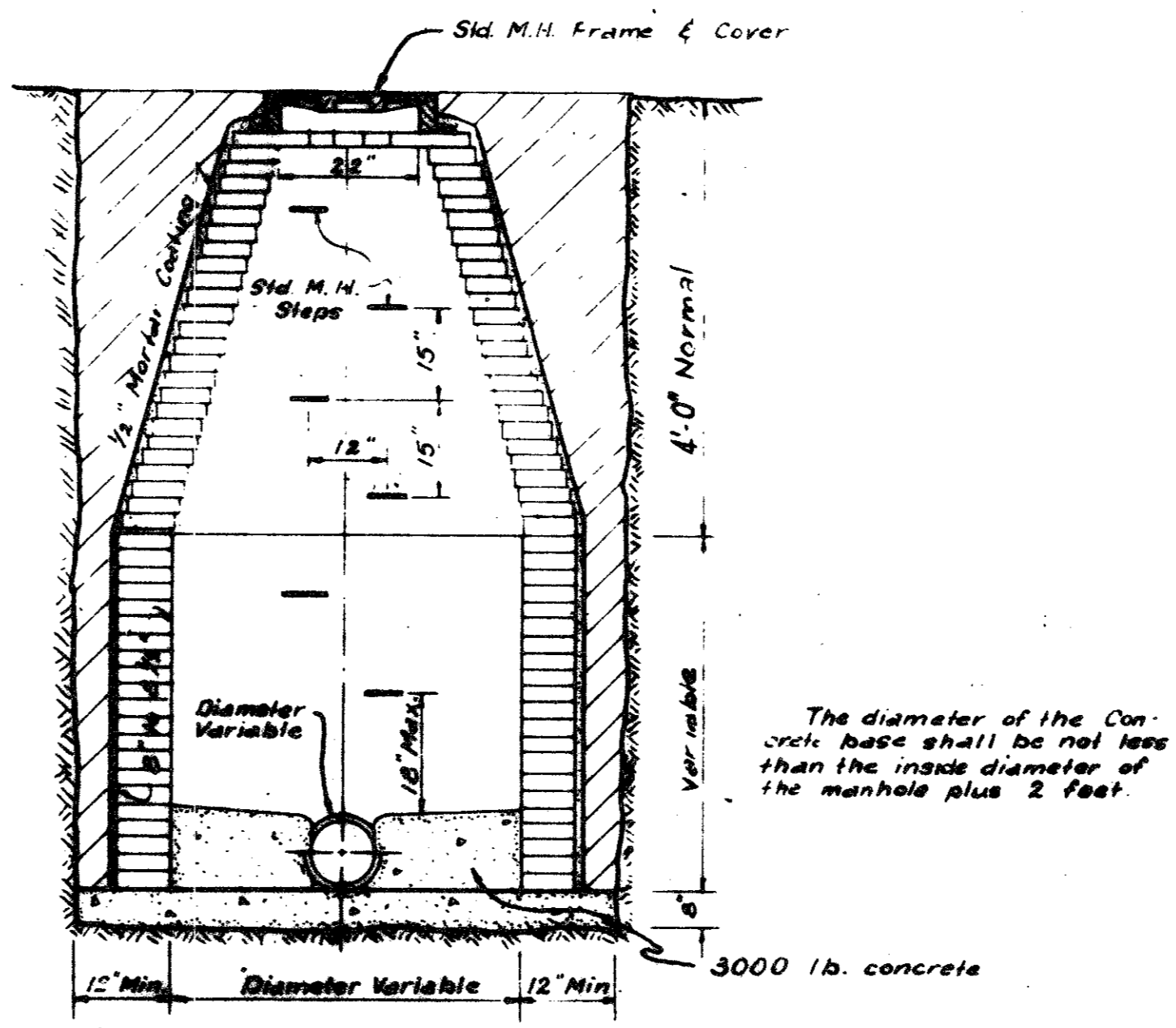


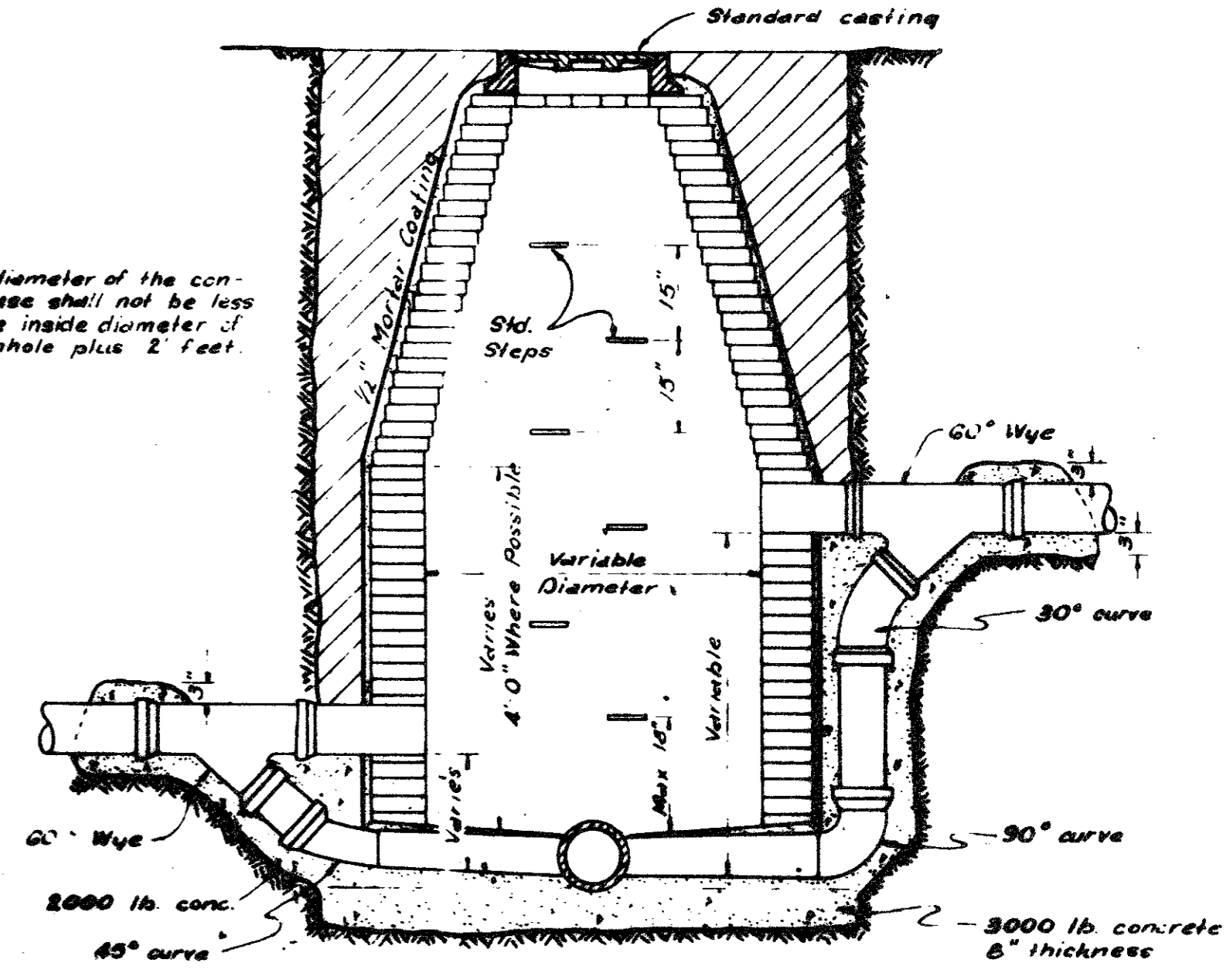
STANDARD WATER TIGHT - SOLID SEAL MANHOLE FRAME AND COVER
TO BE USED ON STANDARD MANHOLE
 As Manufactured by DALLAS FOUNDRY NO 975 - 2 or approved equal.
 Wgt 410 pounds.



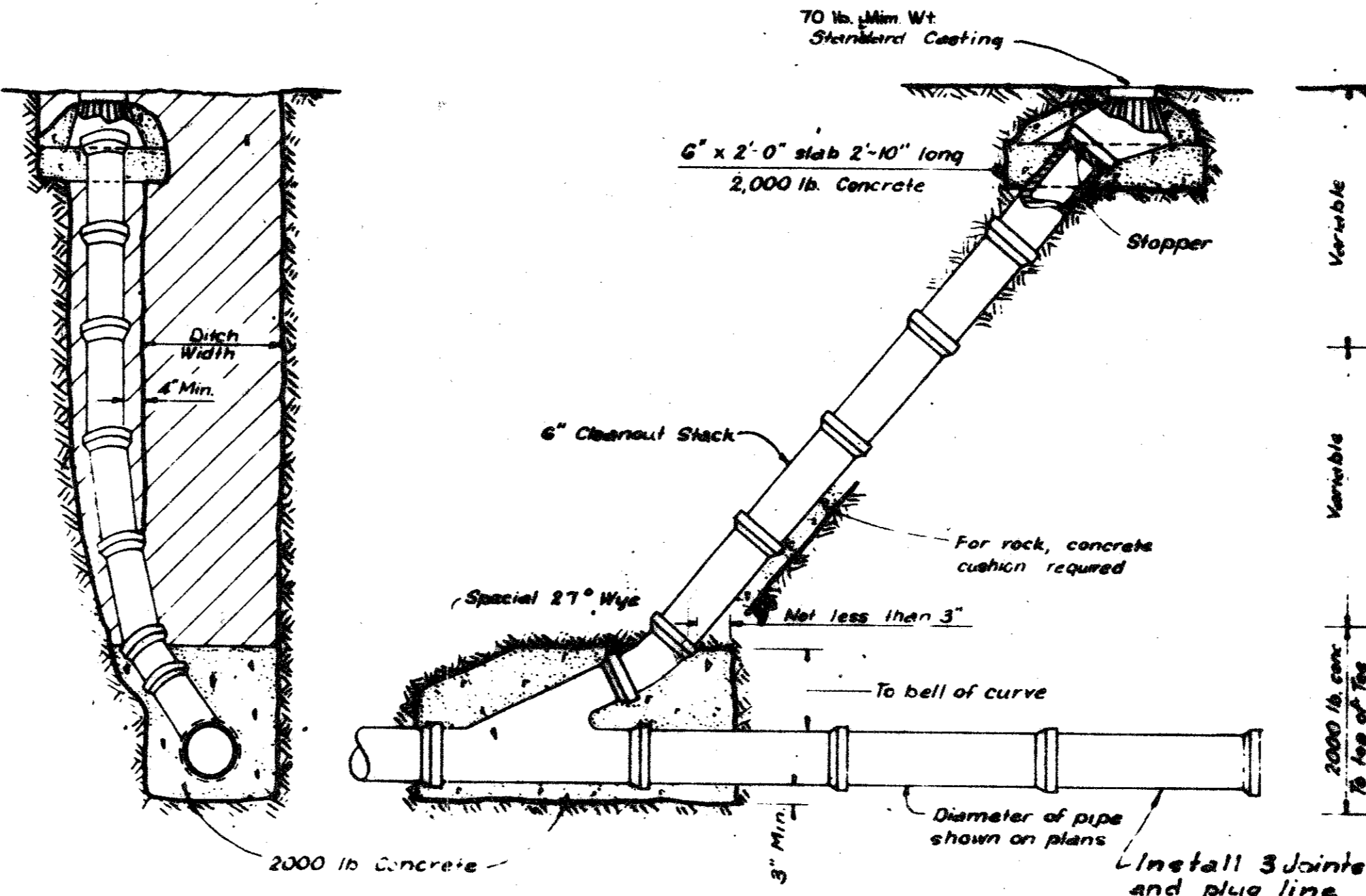
STANDARD C.I. MANHOLE FRAME & COVER
 As Manufactured by DALLAS FOUNDRY NO 700-B or approved equal. Wgt 400 pounds.



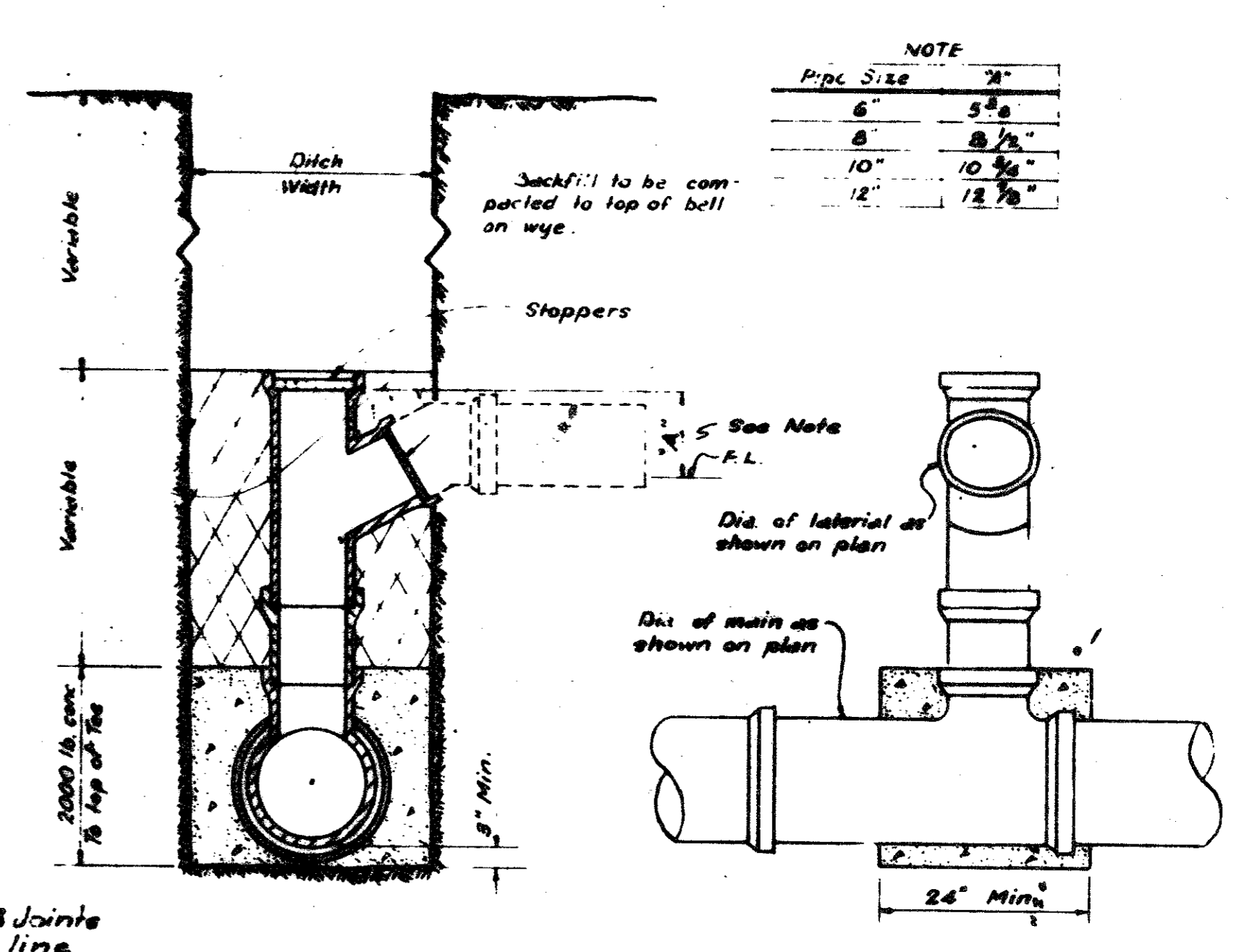
STANDARD MANHOLE



STANDARD DROP CONNECTION MANHOLE



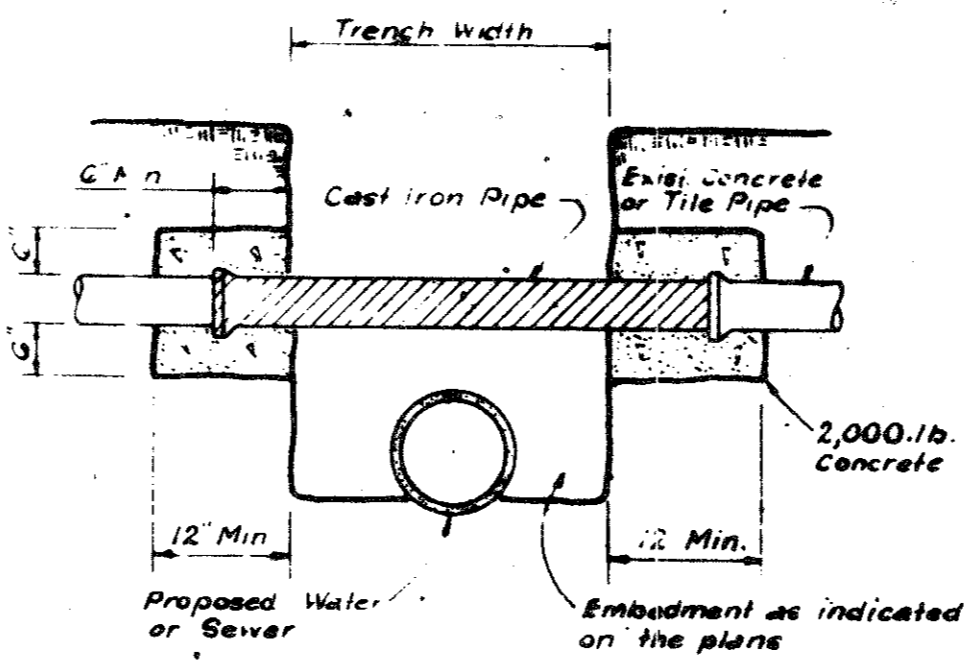
STANDARD CLEANOUT



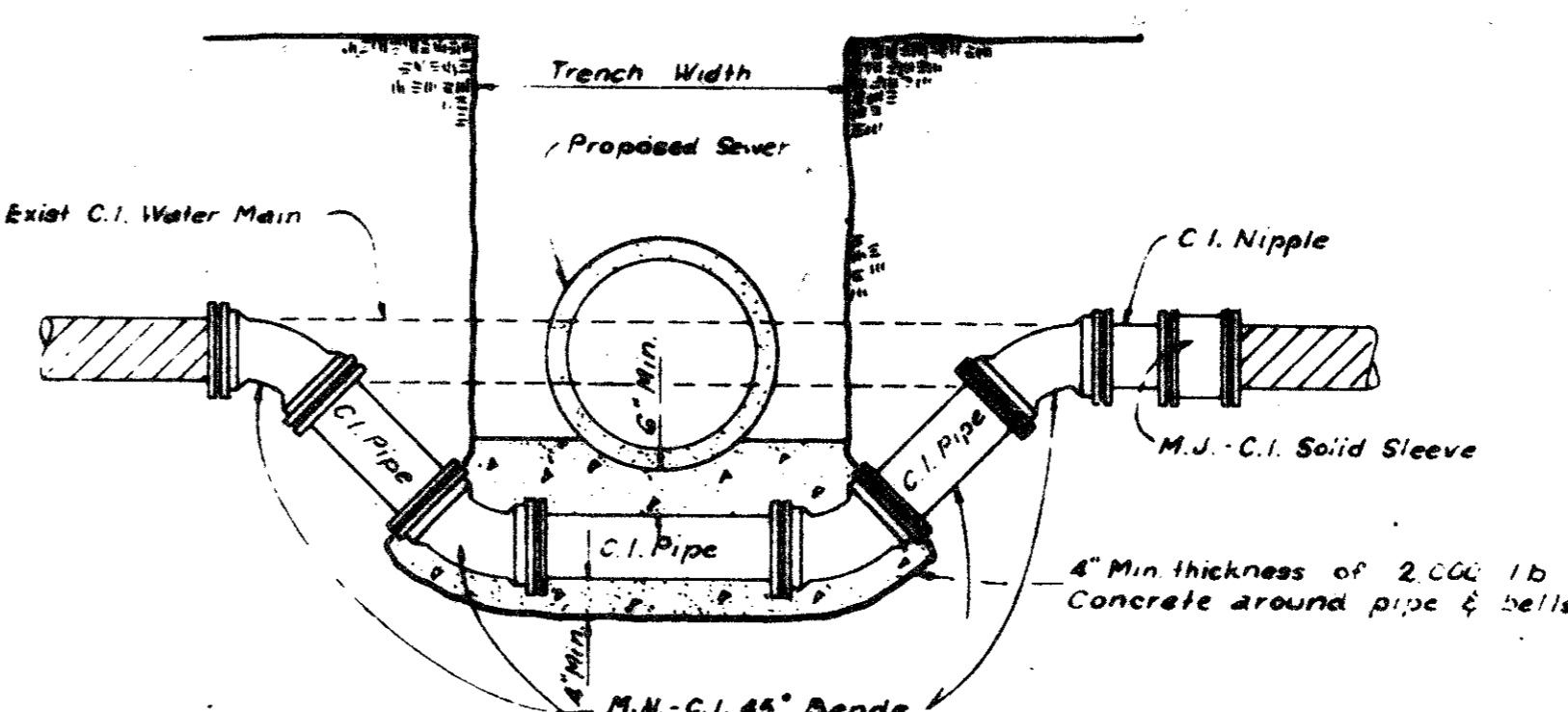
DROP CONNECTION

NOTE

Pipe Size	W
6"	5 1/2"
8"	8 1/2"
10"	10 1/2"
12"	12 1/2"



DETAIL OF UTILITY SUPPORT



DETAIL FOR WATER MAIN LOWERING

THE ABERDEEN
 REVISED MARCH, 1978 L.E.P.
 REVISED MARCH, 1975 J.H.D.

SANITARY SEWER DETAILS

Graham Associates, Inc.
 CONSULTING ENGINEERS & PLANNERS

DESIGN	DRAWN	CHECKED	DATE	SCALE	SHEET NO.
R.E.V.	R.L.D.	D.P.	3-1-79	NONE	10 OF 11