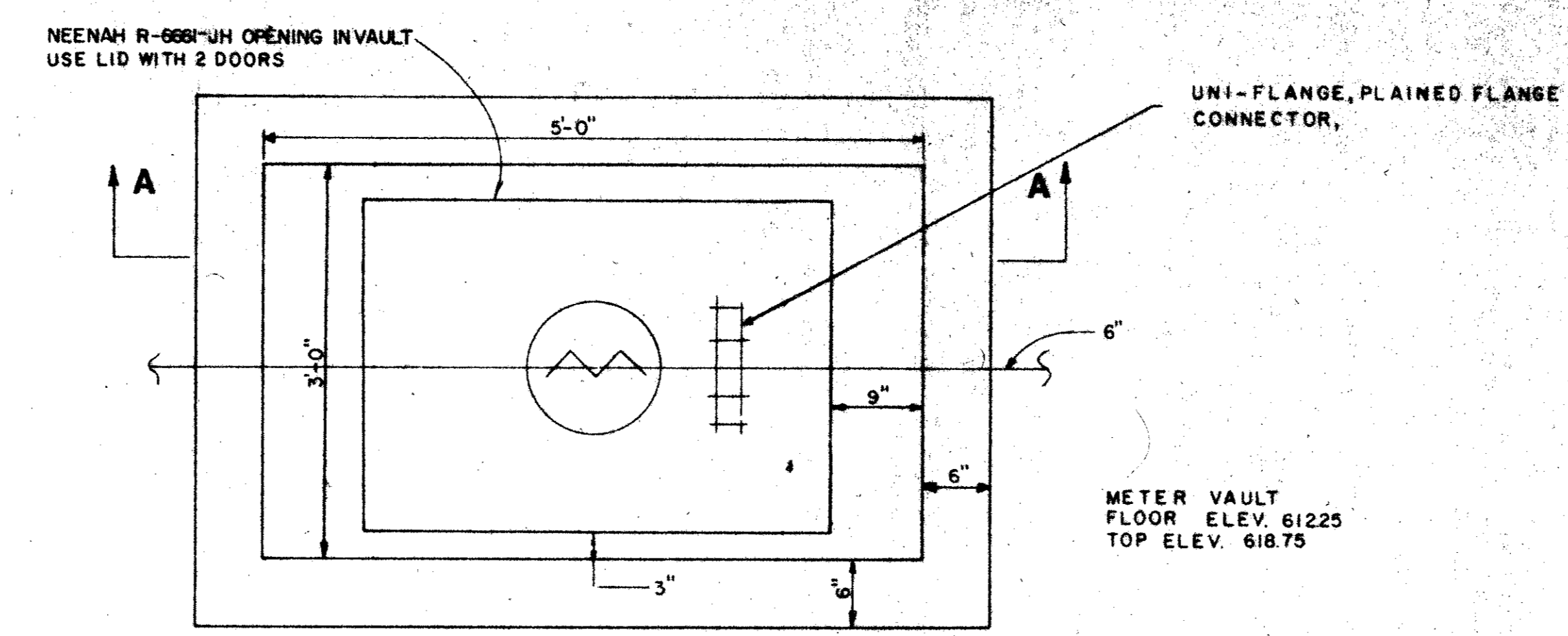
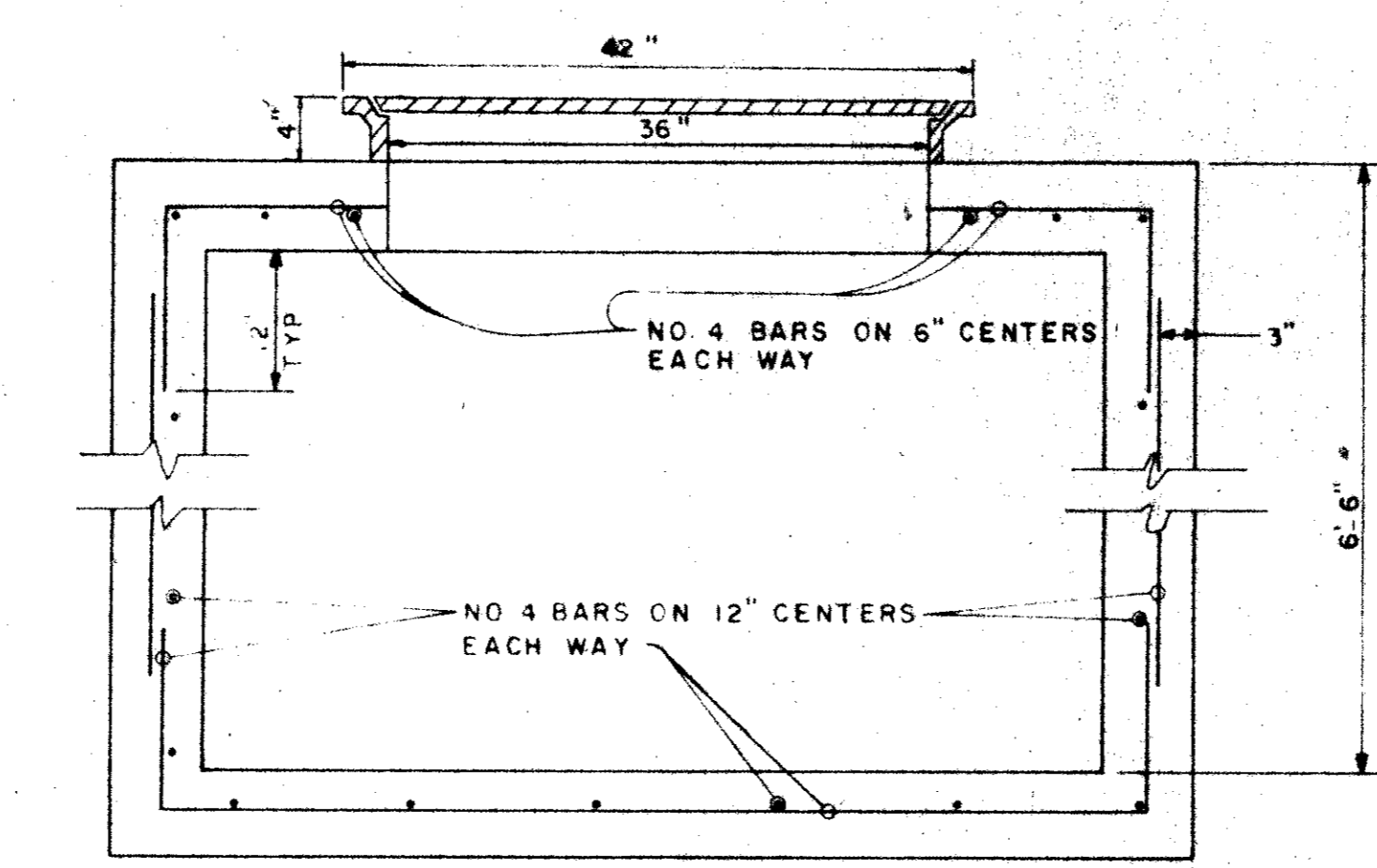


NOTE: ALL FITTINGS SHOWN IN THIS DETAIL ARE TO BE FLANGED USE STAINLESS STEEL BOLTS ALL VALVES BY MUELLER

**1 - WATER SERVICE DETAIL**  
SCALE 1/8"=1'-0"

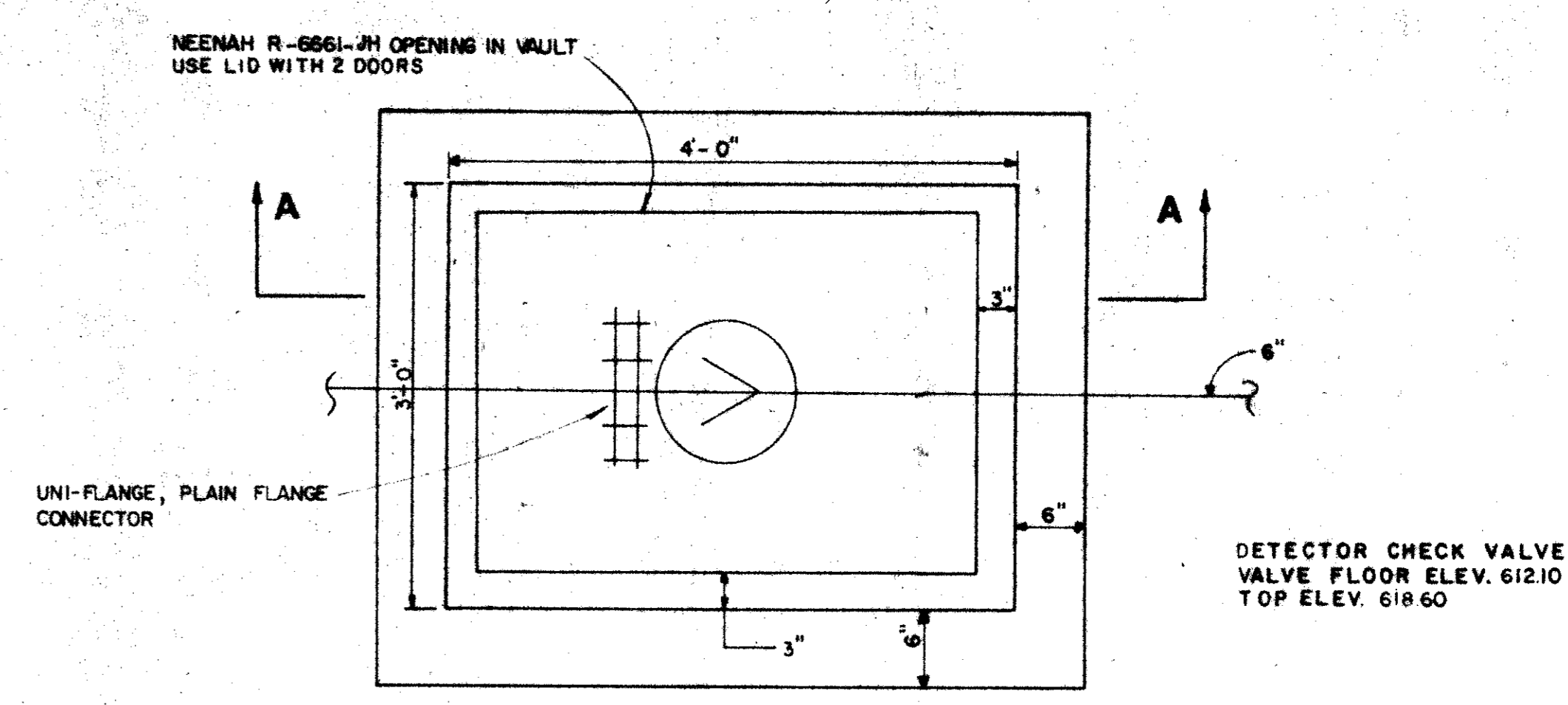


PLAN VIEW  
SCALE 1/4"=1'-0"

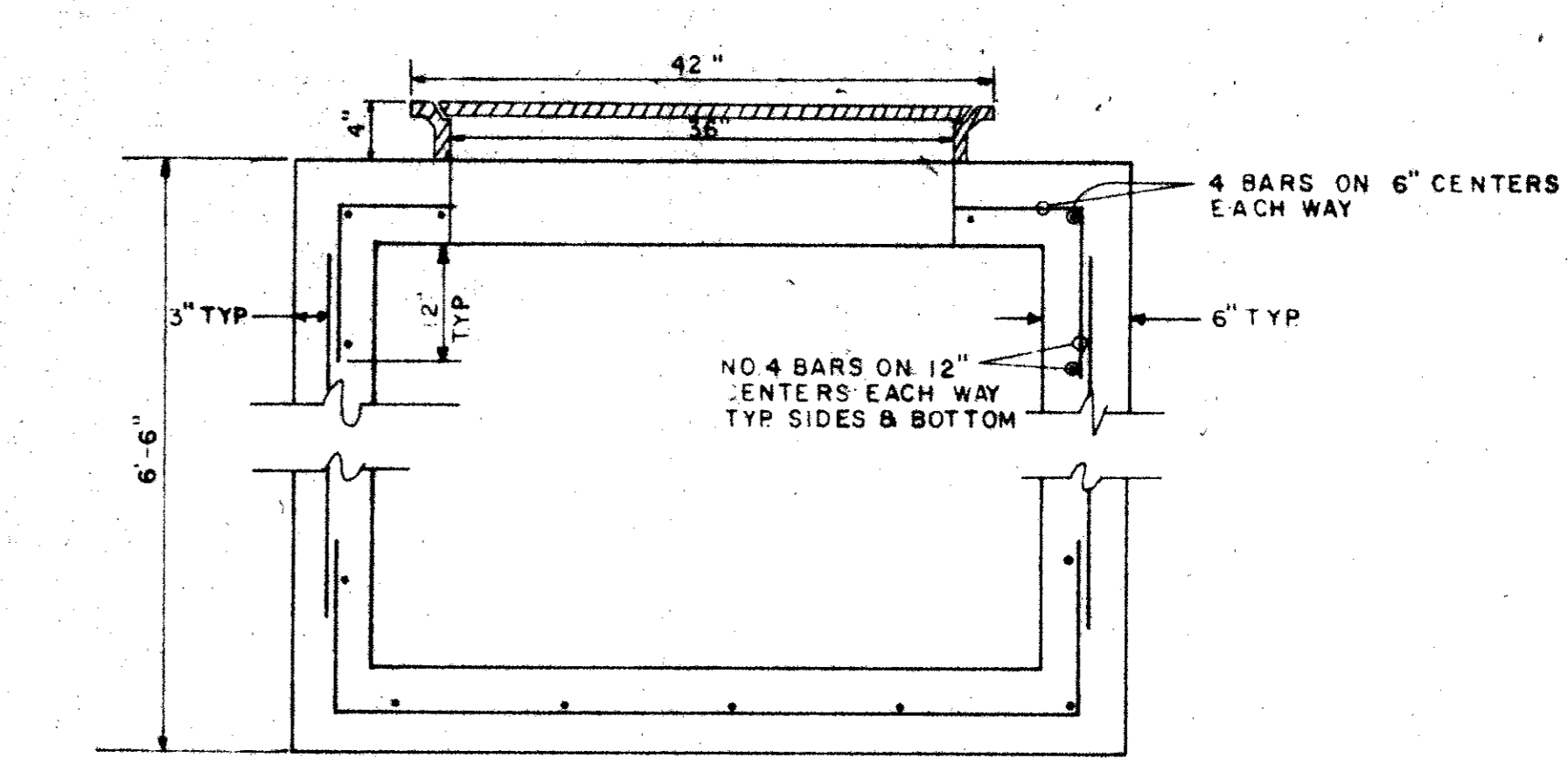


SECTION A-A  
1"=1'-0"

**2 - METER VAULT DETAIL**

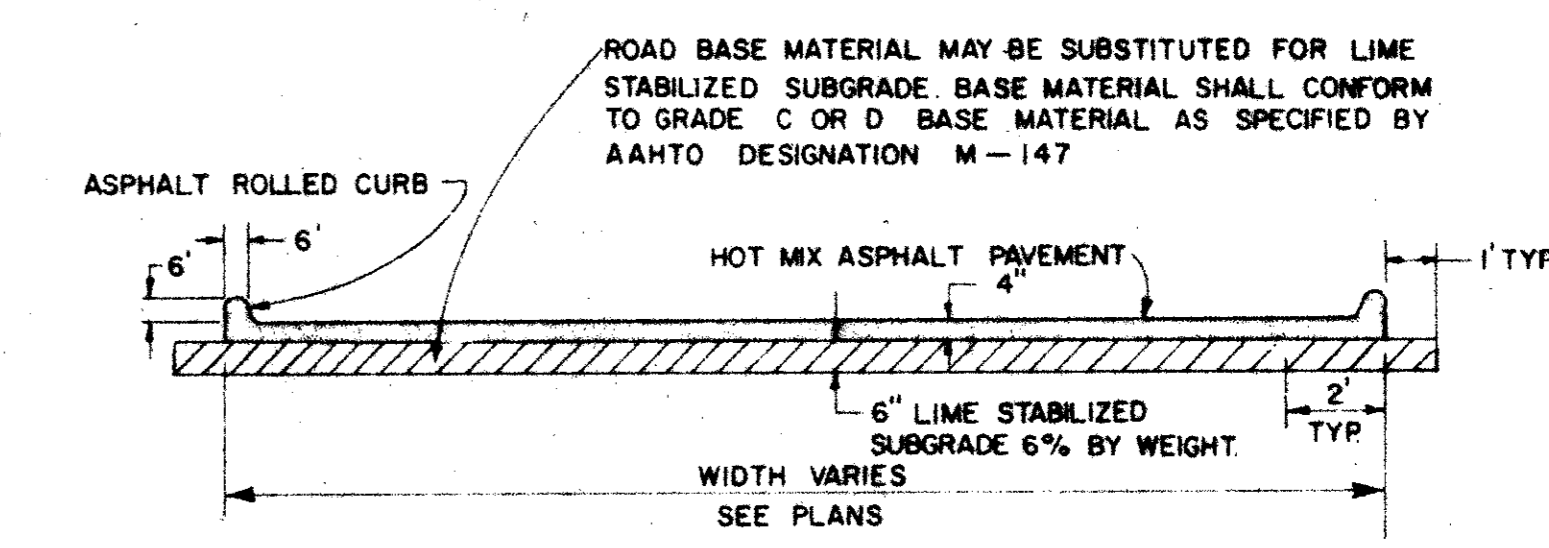


PLAN VIEW  
1"=1'-0"

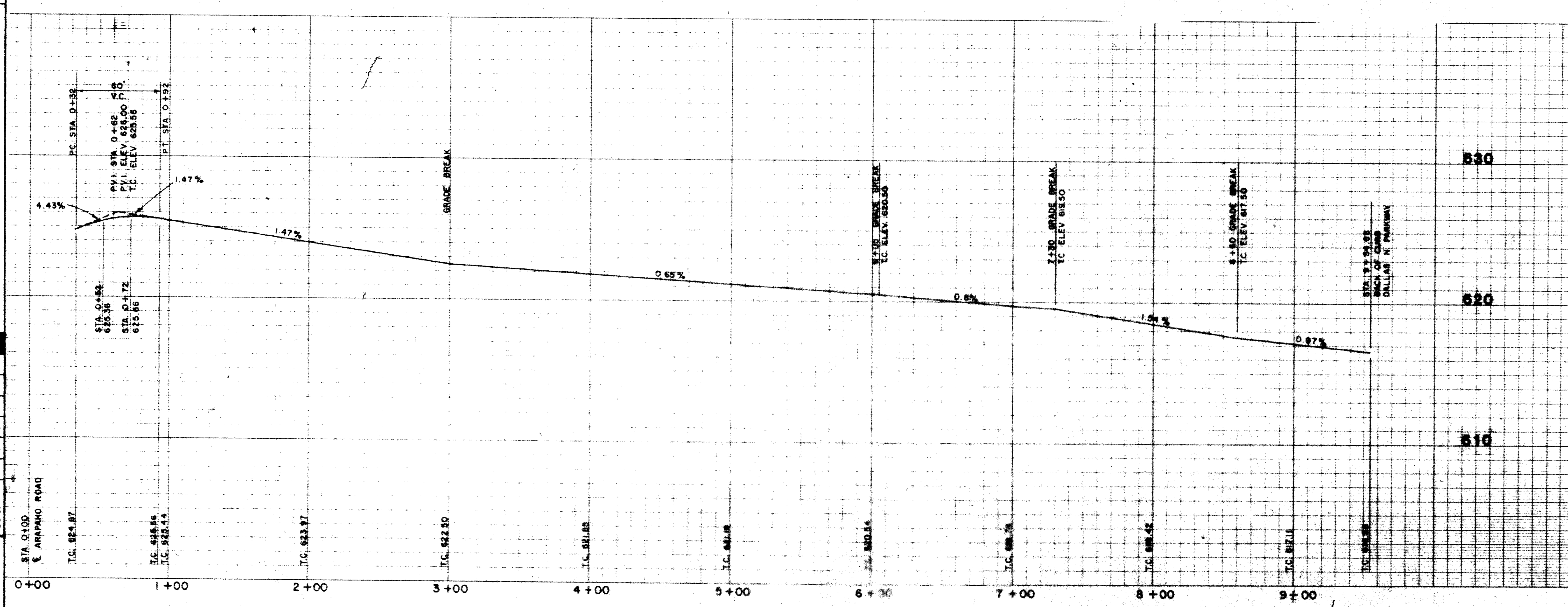


SECTION A-A  
1"=1'-0"

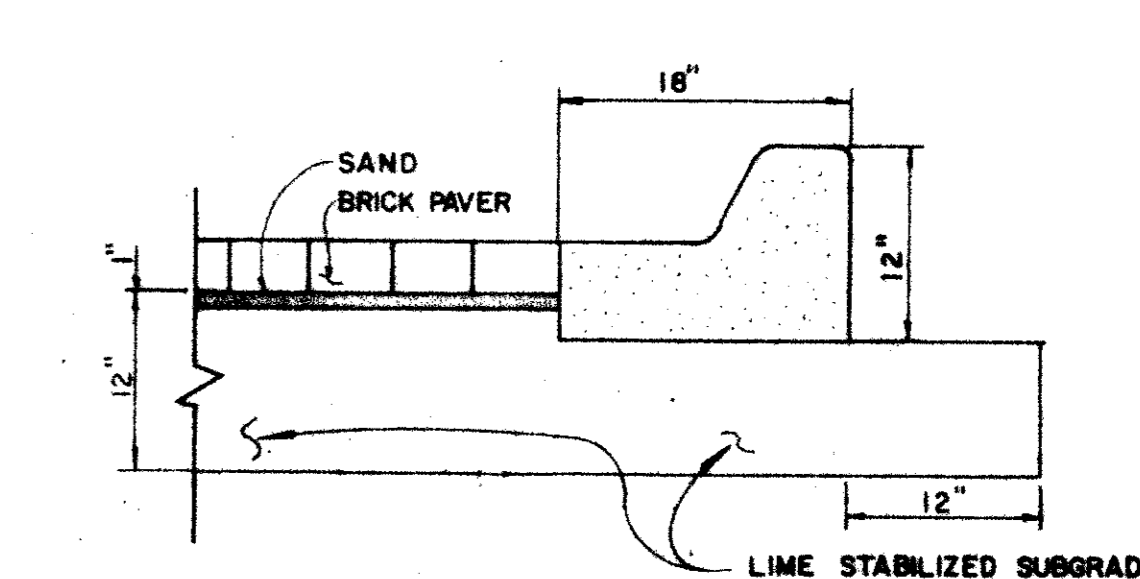
**3 - DETECTOR CHECK VALVE VAULT DETAIL**



**5 - ASPHALT BASE DRIVEWAY**  
SCALE 1/4"=1'-0"



**4- PROPOSED PROFILE FOR ENTRANCE DRIVE**



**6- BRICK PAVER DETAIL**  
SCALE 1"=1'-0"

**Haldeman**  
**Miller**  
**Bregman**  
**Hamann**

project: **M.E.P.C. QUORUM NORTH OFFICES**  
 Phase One  
 Addison, Texas  
 title: **CIVIL DETAILS**

job no:  
 revisions  
 3/24/82 Revised  
 4-2-82  
 12-1-82

sheet  
**C9**  
 of sheets  
 date: 12/17/81