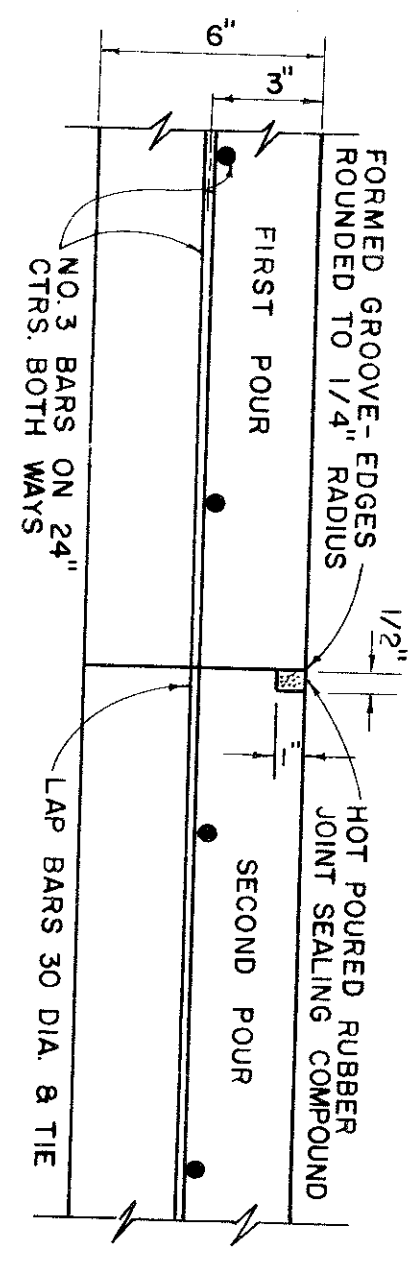
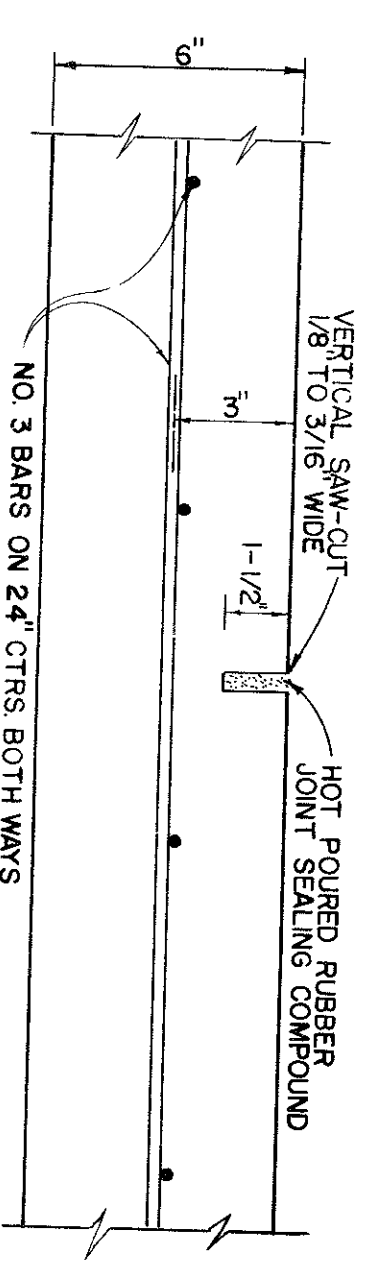


1 - PAVEMENT SECTION
NOT TO SCALE

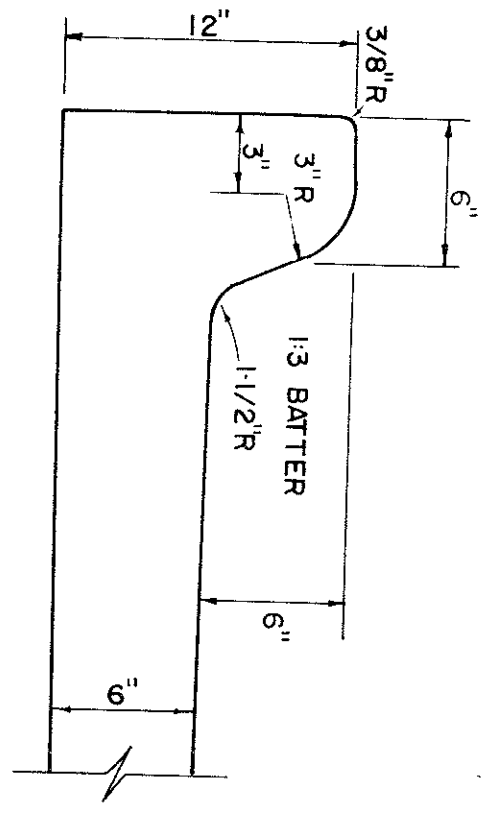


2 - CONSTRUCTION JOINT
NOT TO SCALE

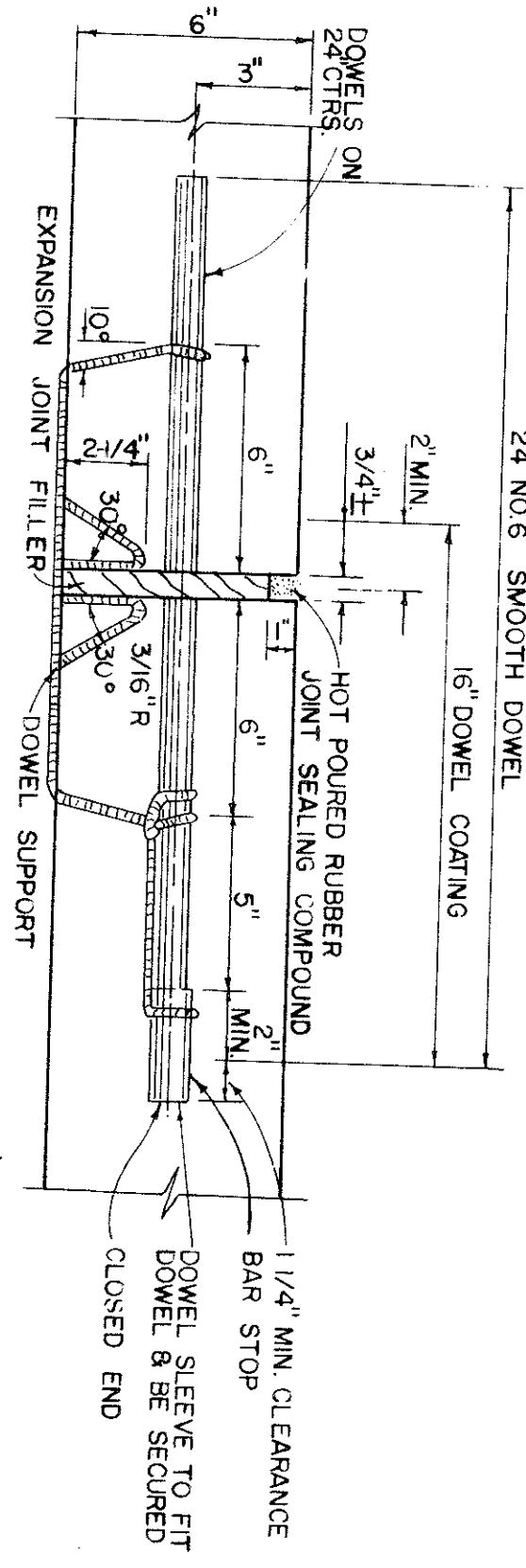


3 - SAWED JOINT
NOT TO SCALE

LOCATE SAWED JOINTS AT 20' INTERVALS. SEE LAYOUT IN FRONT ENTRANCE PAVING.

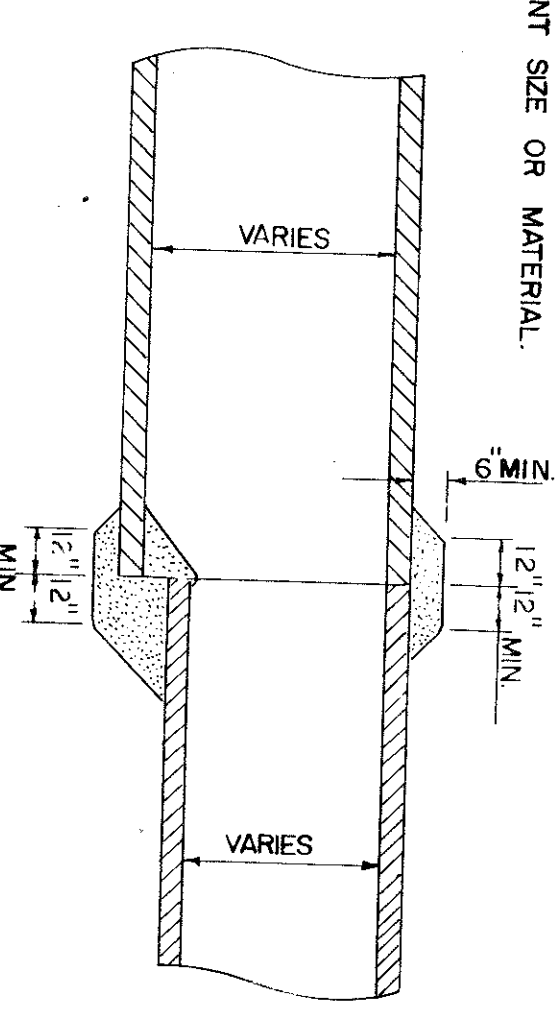


4 - INTEGRAL CURB DETAIL
NOT TO SCALE

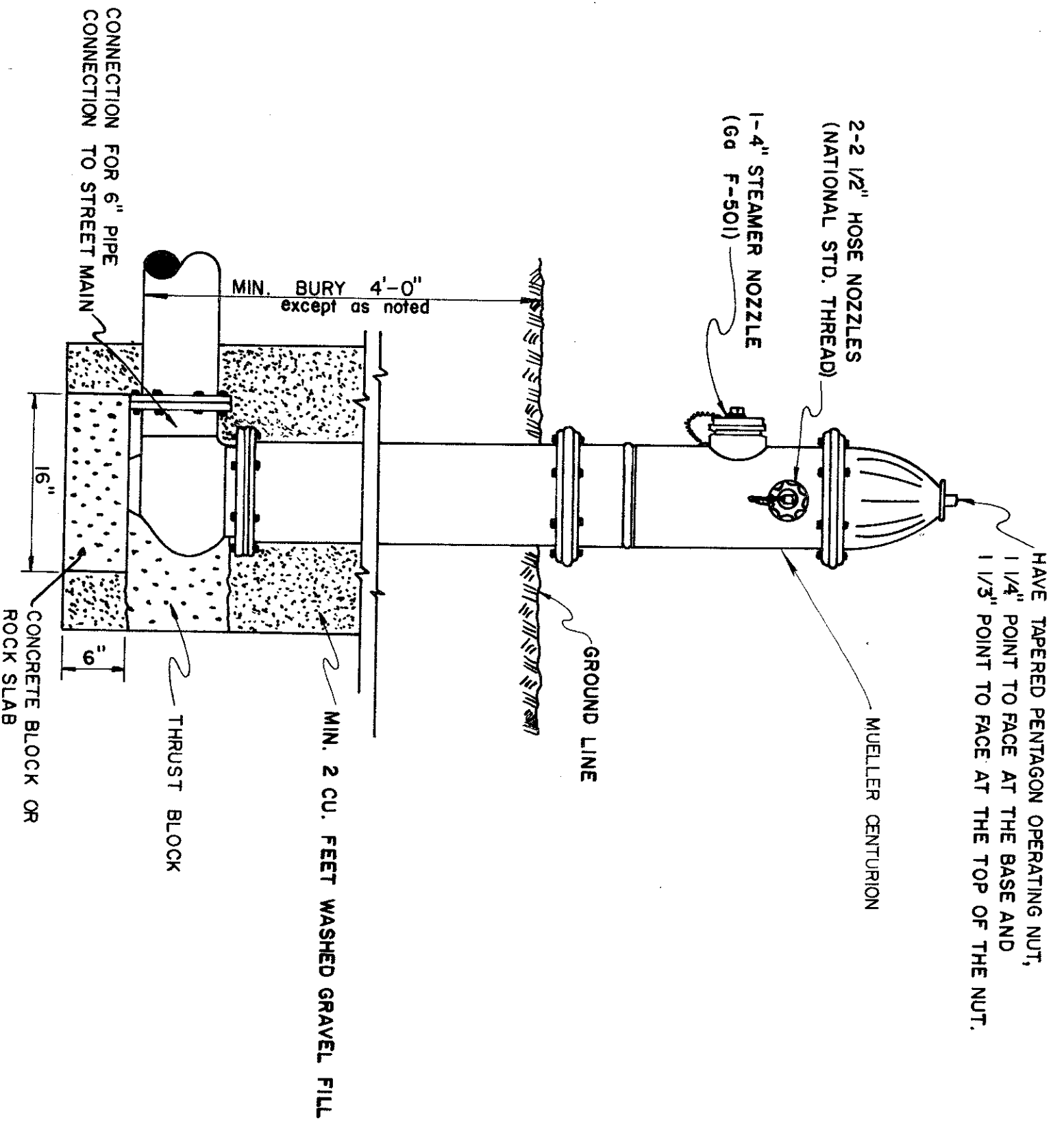


5 - TRANSVERSE EXPANSION JOINT
NOT TO SCALE

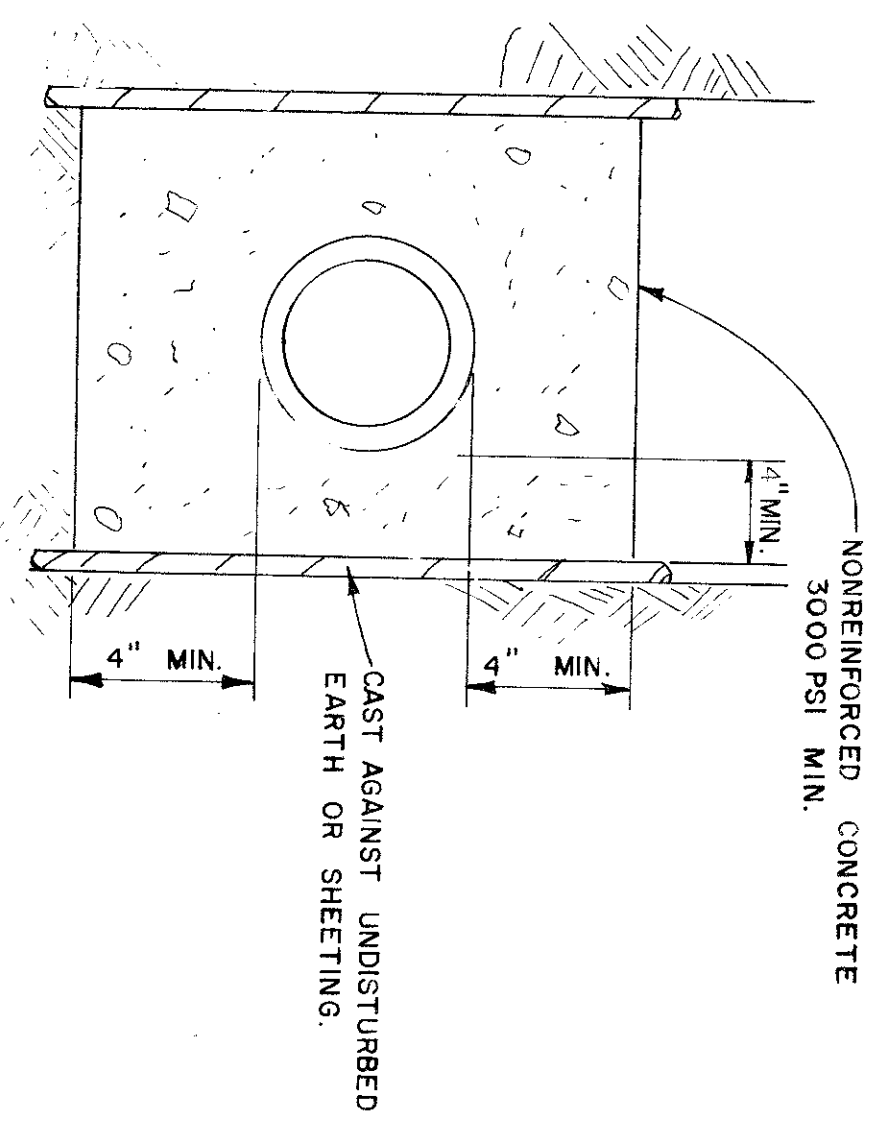
LOCATE EXPANSION JOINTS AS SHOWN ON PLANS. CONTRACTOR MAY SUBSTITUTE ANY PREMANUFACTURED EXPANSION JOINT SYSTEM WHICH HAS A 3/4 inch FILLER AND 24 inch DOWEL, FOR THE SYSTEM SHOWN ABOVE.



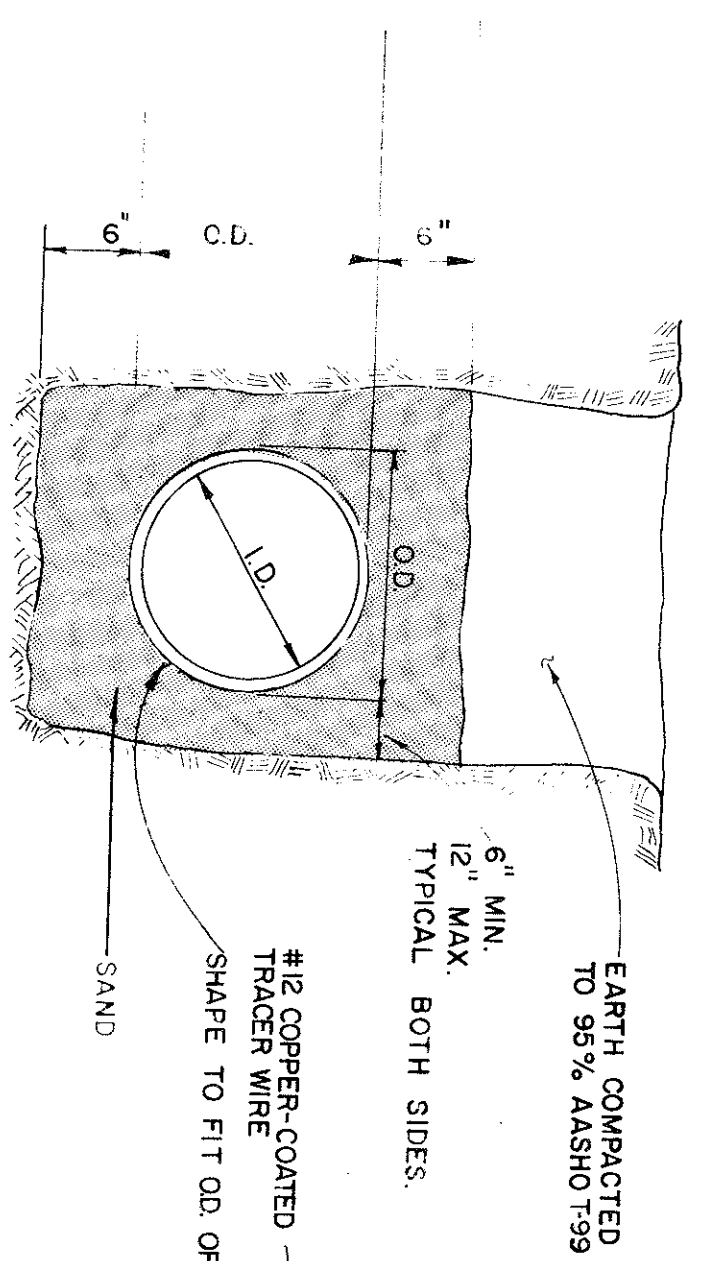
6 - CONCRETE COLLAR CONNECTOR
NOT TO SCALE



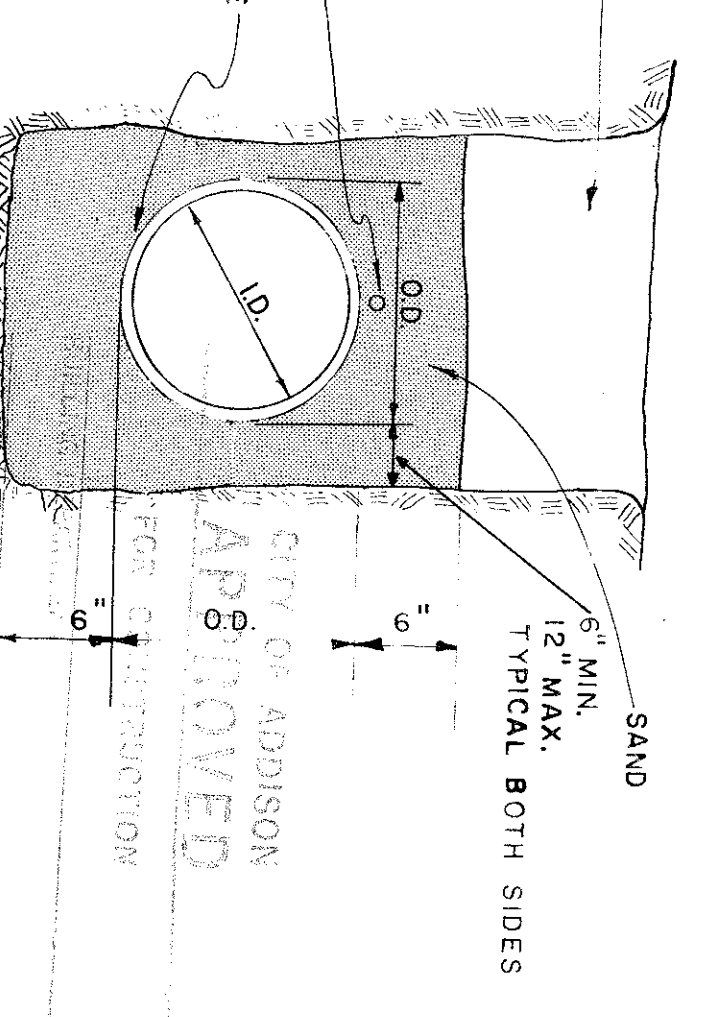
7 - TYPICAL FIRE HYDRANT INSTALLATION
NOT TO SCALE



8 - ENCASEMENT DETAIL
NOT TO SCALE



9 - STORM SEWER BEDDING DETAIL
NOT TO SCALE



10 - SANITARY SEWER & WATER BEDDING DETAIL
NOT TO SCALE

Audit	C7	T2
Screen	C7	T2
Base		
Color		

