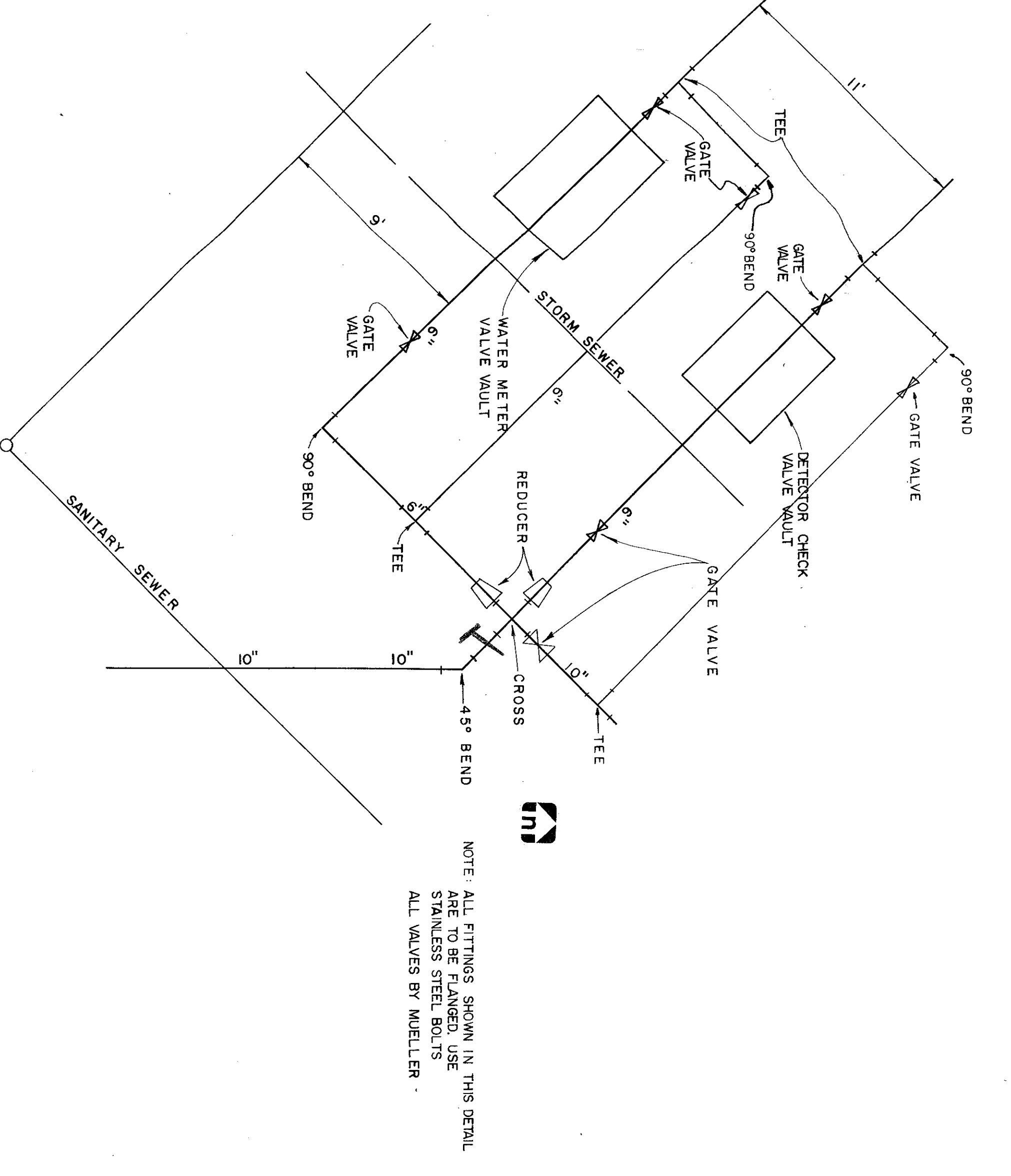
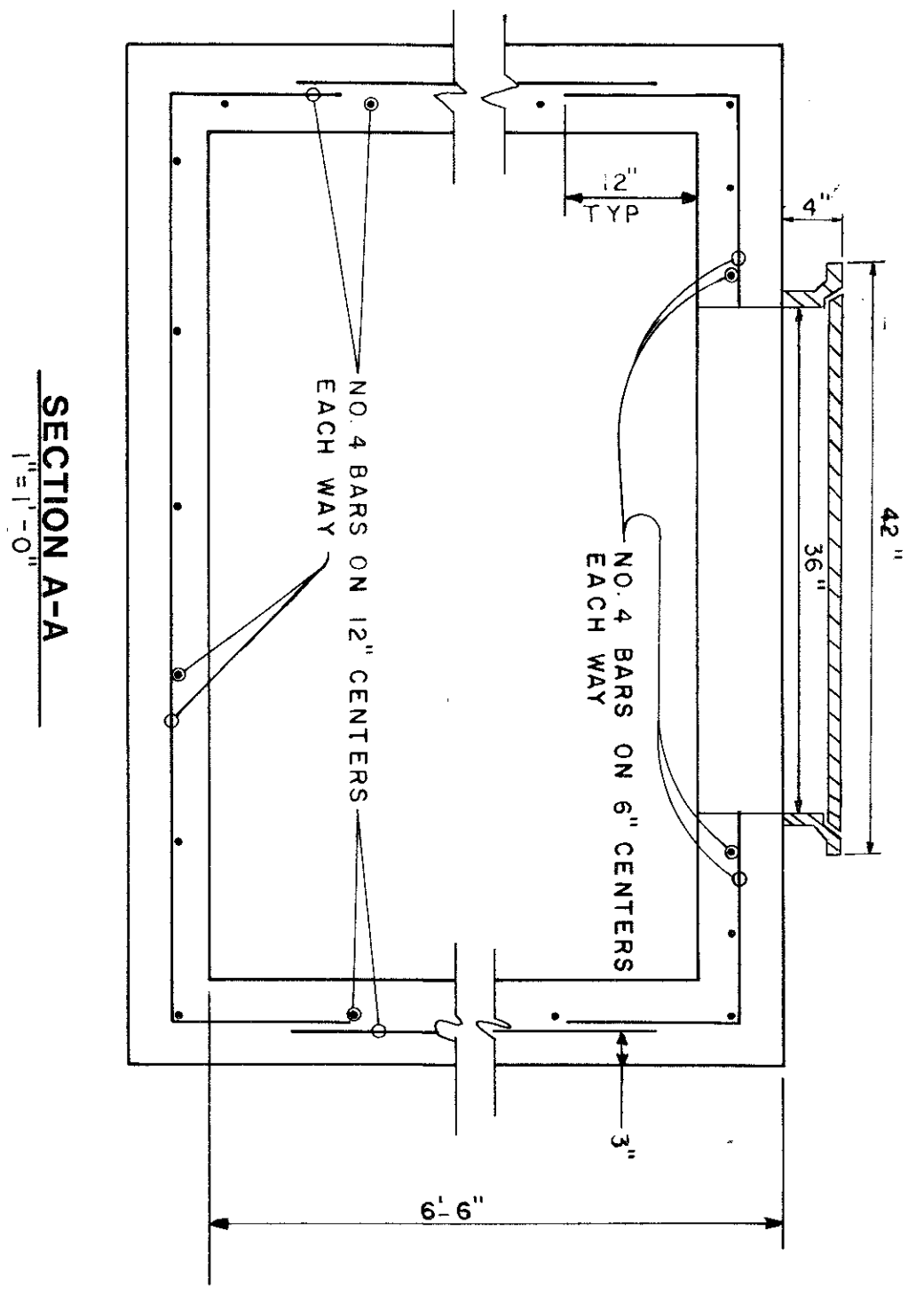
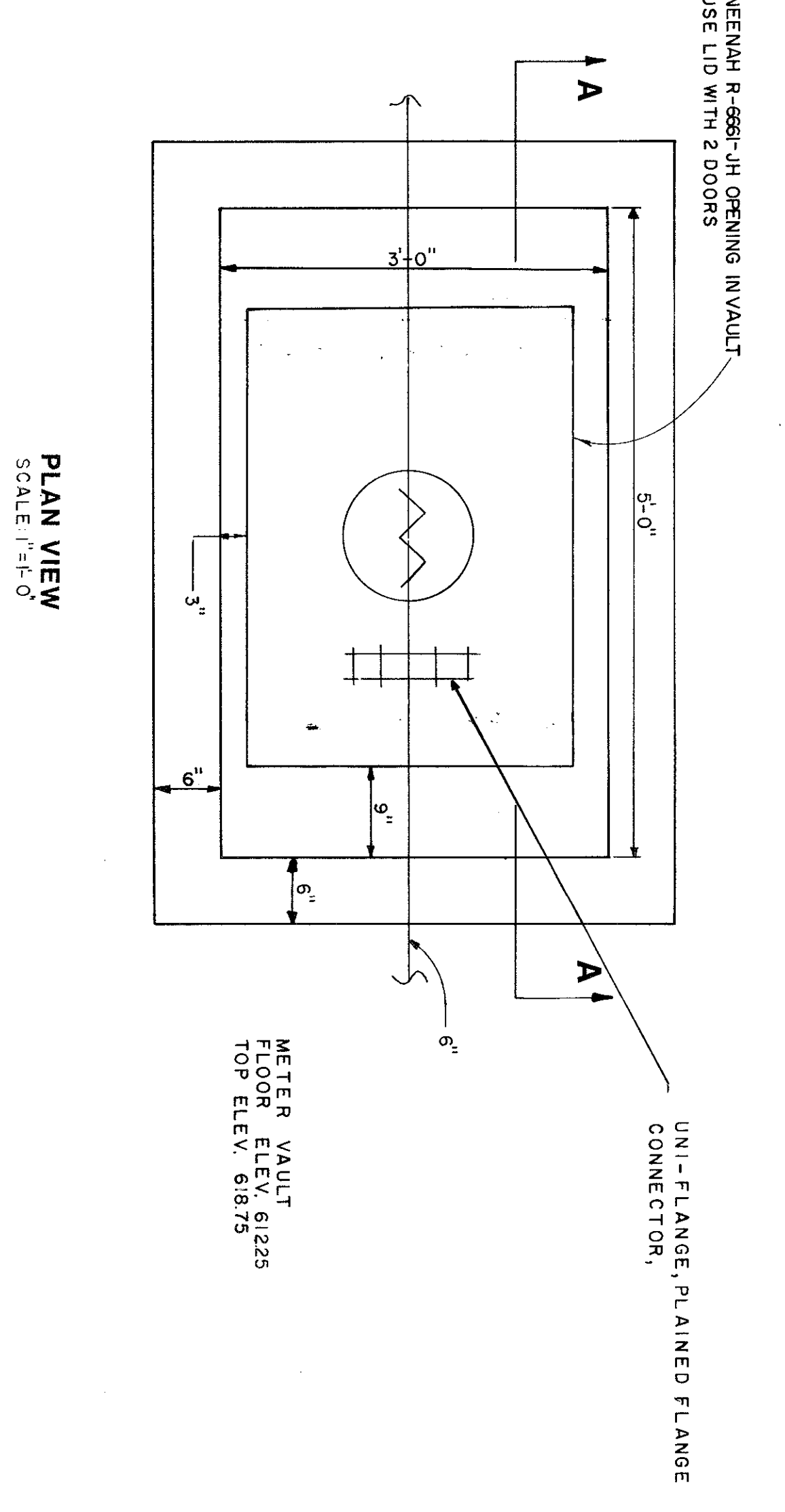


Audit		C9	T2
Screen		C9	T2
Base			
Color			

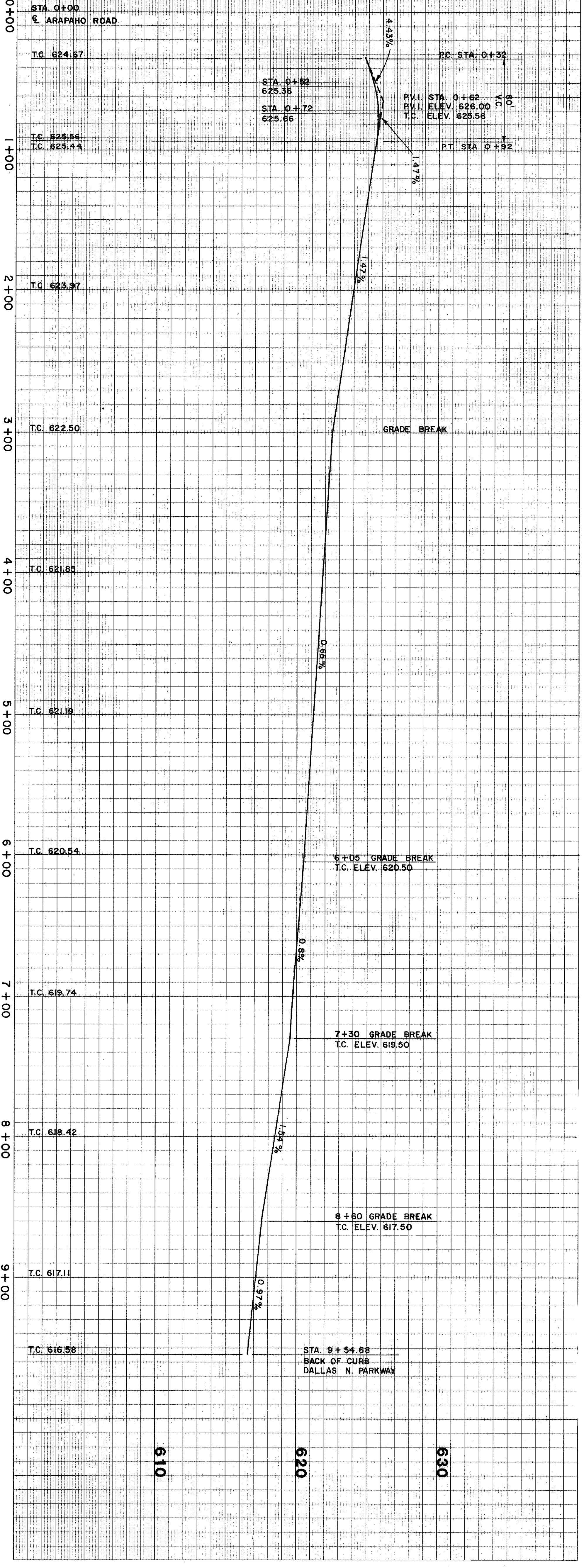


1 - WATER SERVICE DETAIL  
SCALE: 1/4" = 1'-0"

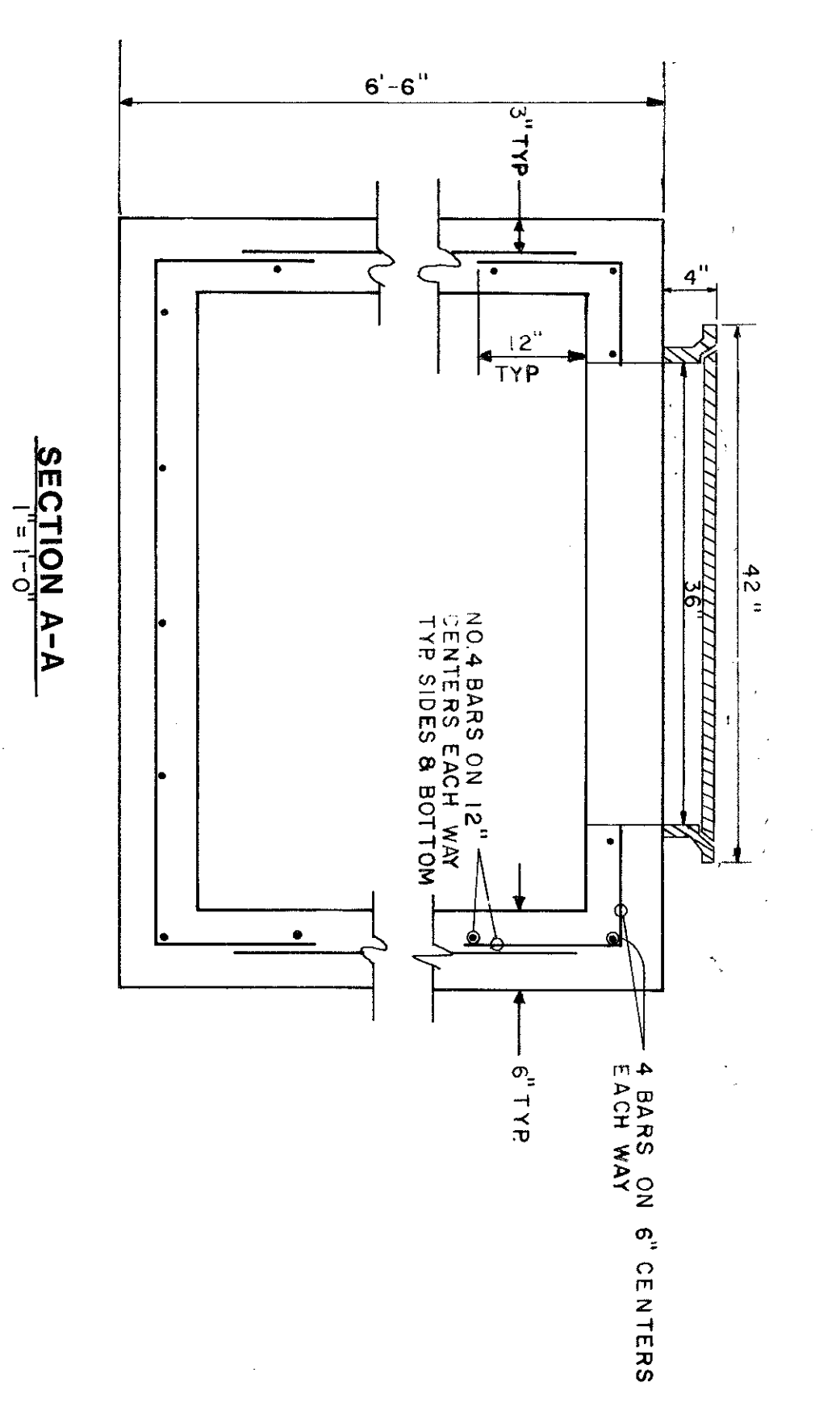
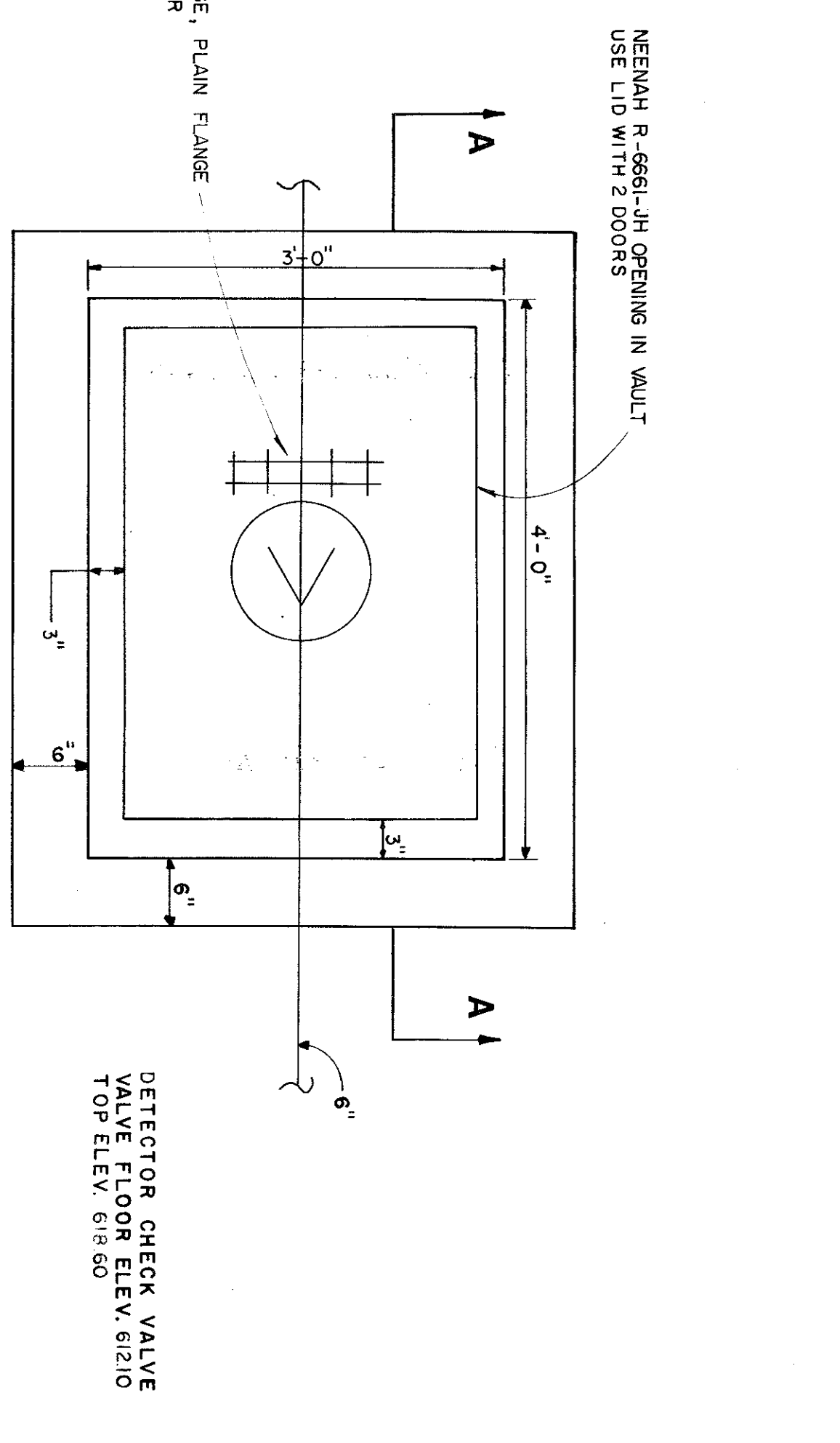


2 - METER VAULT DETAIL  
SCALE: 1/4" = 1'-0"

3 - DETECTOR CHECK VALVE VAULT DETAIL  
SCALE: 1/4" = 1'-0"

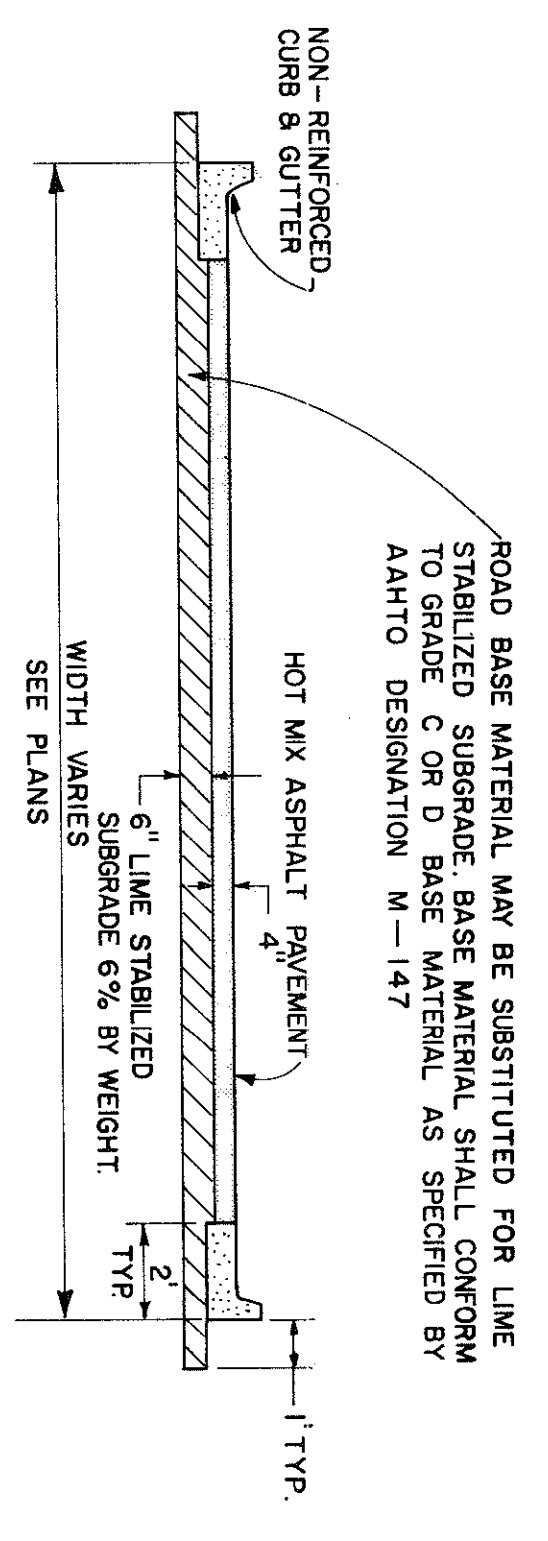


4 - PROPOSED PROFILE FOR ENTRANCE DRIVE  
SCALE: 1" = 1'-0"



5 - ASPHALT PAVING DETAIL  
SCALE: 1/4" = 1'-0"

6 - BRICK PAVER DETAIL  
SCALE: 1" = 1'-0"



7 - BRICK PAVER DETAIL  
SCALE: 1" = 1'-0"

job no:	
revisions:	
sheet:	C9
of sheets:	17
date:	12.17.81

project: **M.E.P.C. QUORUM NORTH OFFICES**  
Phase One Addison, Texas  
title: **CIVIL DETAILS**

Architects & Planners  
5710 LBJ Fwy.  
Suite 190  
Dallas, Texas 75240  
214 / 233-7232

**Haldeman**  
**Miller**  
**Bregman**  
**Hamann**

