

NOTE:  
INSTALL CRETEX INTERNAL MANHOLE CHIMNEY SEAL OR EQUAL  
STANDARD TOWN OF ADDISON FRAME AND COVER SEE DETAIL, THIS SHEET

PRECAST CONCRETE ADJUSTMENT RINGS (SET IN MORTAR BED AND BRING TO GRADE) MAXIMUM RING ADJUSTMENT 18".

MONOLITHIC CONCRETE SHALL HAVE A MINIMUM BEAM STRENGTH OF 700 P.S.I. AT 7 DAYS (MINIMUM COMPRESSIVE STRENGTH OF 4200 P.S.I. AT 28 DAYS)

MANHOLE STEPS (SEE CAST-IN-PLACE NOTES)

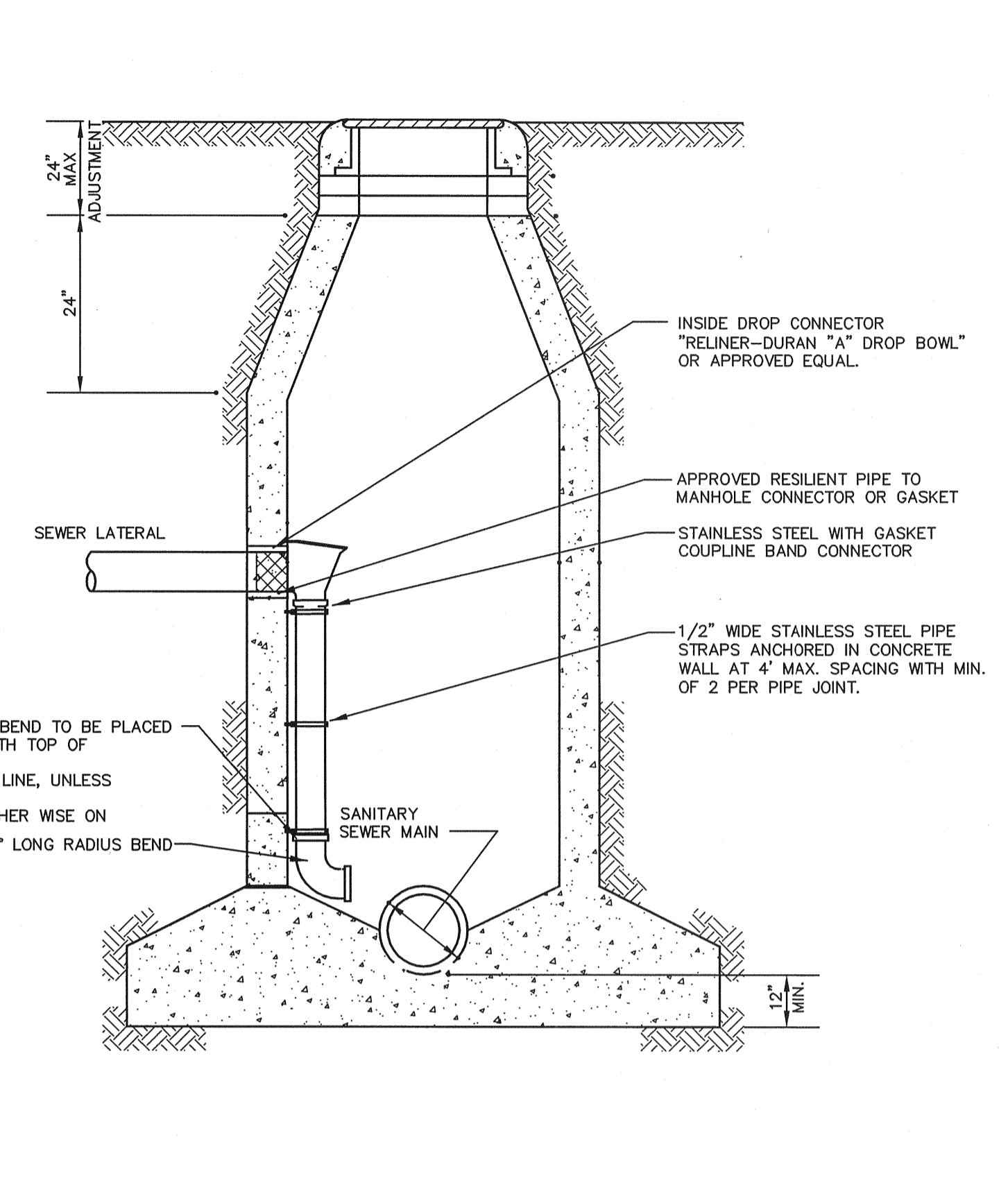
MONOLITHIC CONCRETE SHALL HAVE A MINIMUM COMPRESSIVE STRENGTH OF 3000 P.S.I. AT 28 DAYS

STUBOUTS TO BE A MINIMUM OF 5' LONG WITH CONCRETE CRADLE UNDER ENTIRE LENGTH.

COUPLING W/O RING RUBBER GASKETS, KOR-N-SEAL, A-LOK OR APPROVED EQUAL.

CAST-IN-PLACE NOTES:  
1. CONCRETE SHALL BE A MONOLITHIC POUR.  
2. MANHOLE STEPS SHALL BE COPOLYMER POLYPROPYLENE PLASTIC COATED 1/2" GRADE 60 STEEL REINFORCEMENT STEP MODEL PS2-PF AS MANUFACTURED BY M.A. INDUSTRIES INC. OF PEACHTREE CITY, GEORGIA OR EQUAL.

**1 STANDARD CAST-IN-PLACE MANHOLE**  
NOT TO SCALE



INSIDE DROP CONNECTOR "REINER-DURAN" "A" DROP BOWL OR APPROVED EQUAL.

APPROVED RESILIENT PIPE TO MANHOLE CONNECTOR OR GASKET

STAINLESS STEEL WITH GASKET COUPLING BAND CONNECTOR

1/2" WIDE STAINLESS STEEL PIPE STRAPS ANCHORED IN CONCRETE WALL AT 4' MAX. SPACING WITH MIN. OF 2 PER PIPE JOINT.

TOP OF 90° BEND TO BE PLACED LEVEL WITH TOP OF MANHOLE DISCHARGE LINE, UNLESS NOTED OTHERWISE ON 90° LONG RADIUS BEND

OTHER WISE ON 90° LONG RADIUS BEND

MANHOLE DISCHARGE LINE, UNLESS NOTED OTHERWISE ON 90° LONG RADIUS BEND

**2 WASTEWATER MANHOLE INSIDE DROP CONNECTION**  
NOT TO SCALE

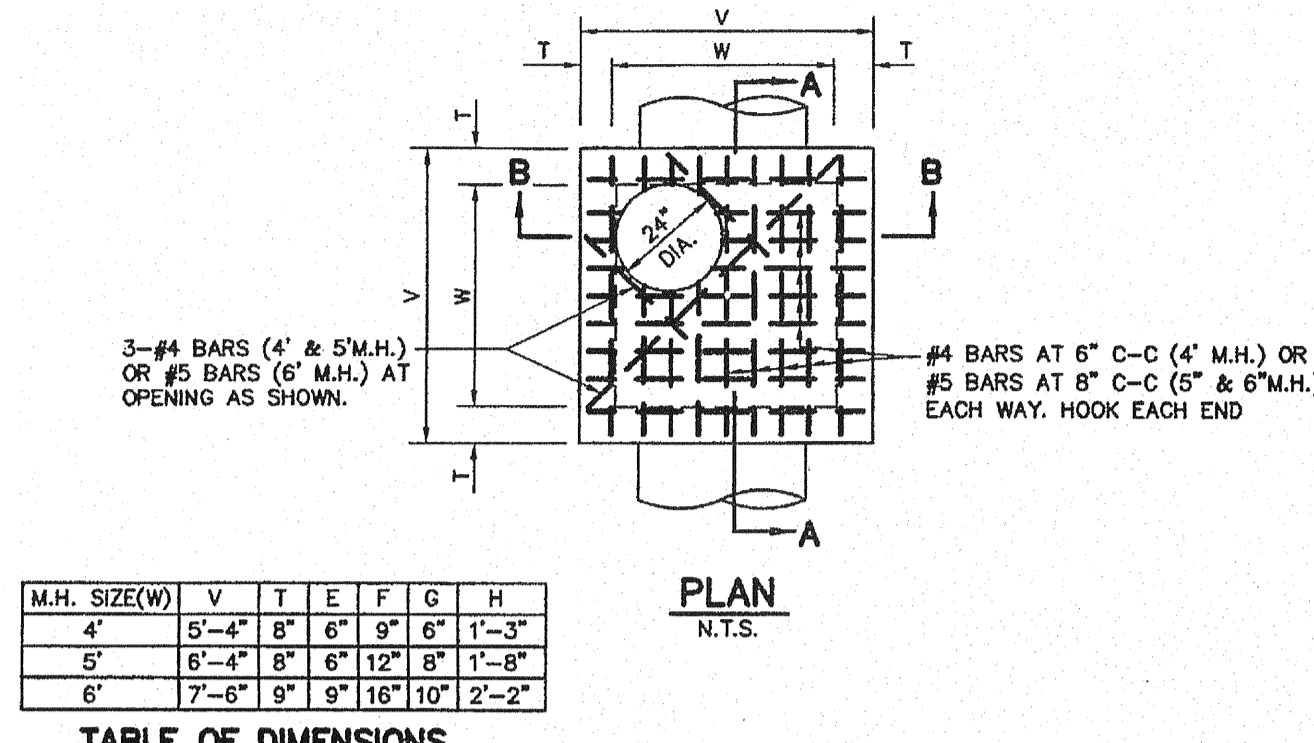
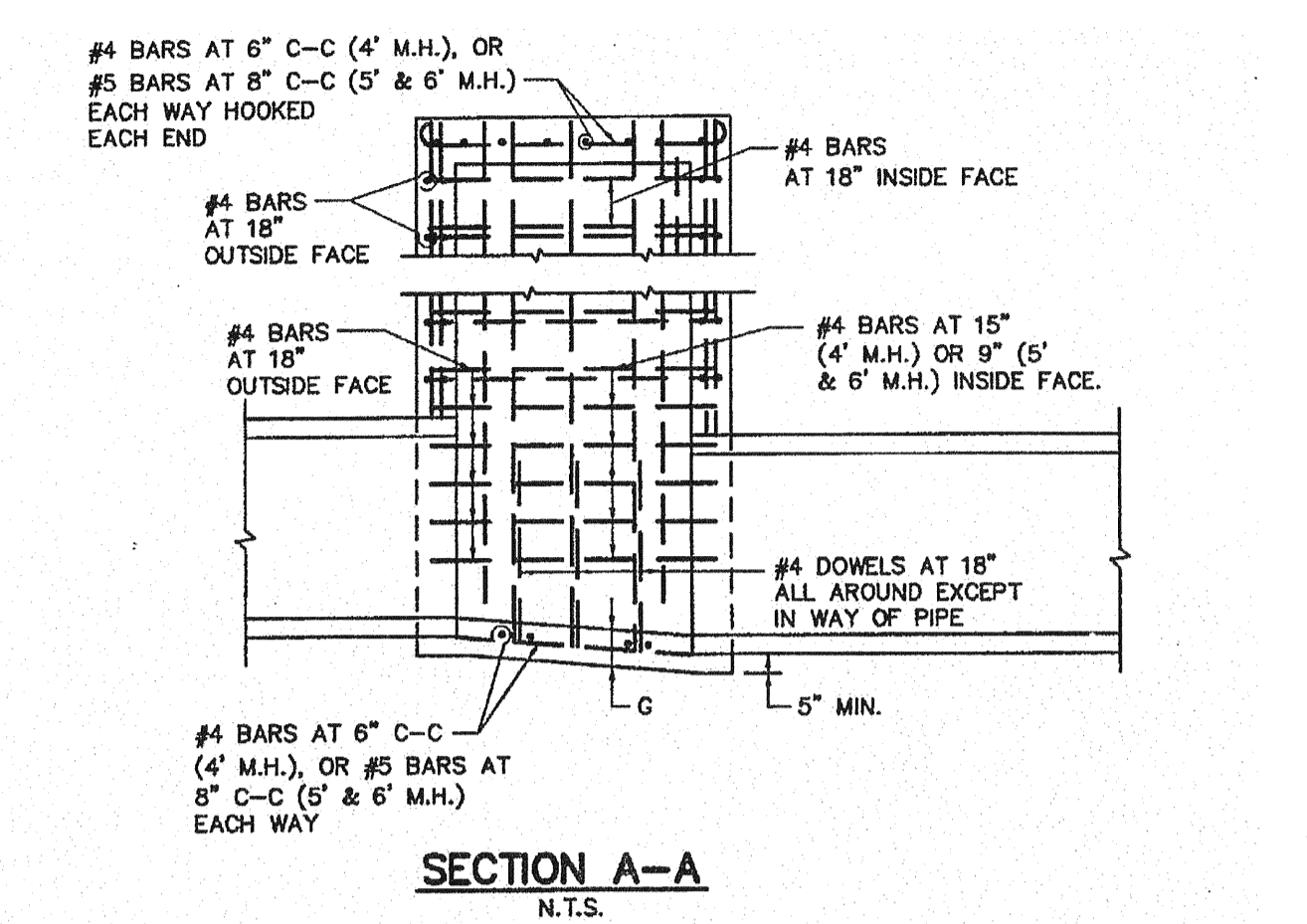
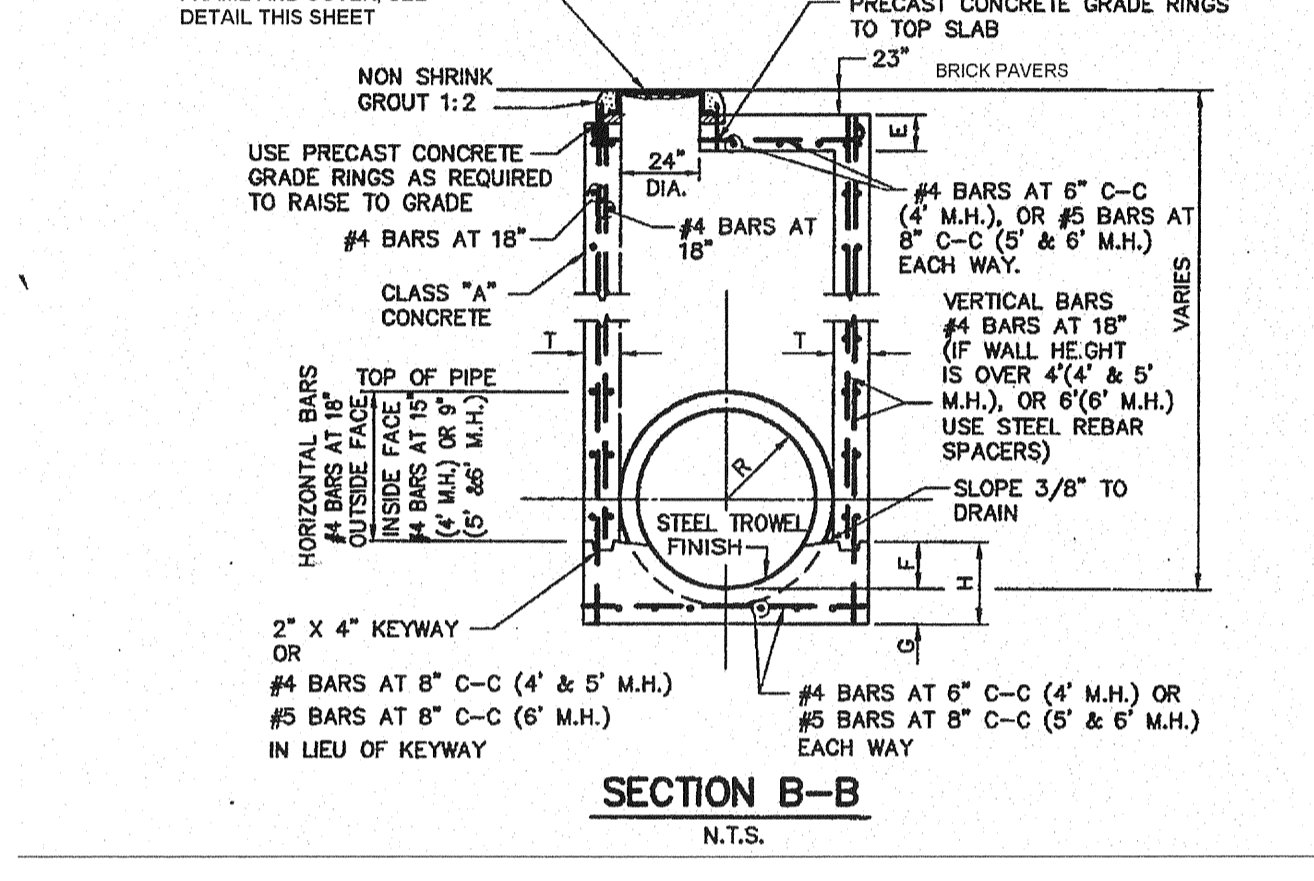


TABLE OF DIMENSIONS

M.H. SIZE (W)	V	T	E	F	G	H
4'	5'-4"	8"	6"	9"	6"	1'-3"
5'	6'-4"	8"	6"	12"	8"	1'-8"
6'	7'-6"	9"	9"	16"	10"	2'-2"



PRECAST CONCRETE GRADE RINGS TO TOP SLAB

23" BRICK PAVERS

NON SHRINK GROUT 1:2

USE PRECAST CONCRETE GRADE RINGS AS REQUIRED TO RAISE TO GRADE

CLASS "A" CONCRETE

VERTICAL BARS #4 BARS AT 18" (IF WALL HEIGHT IS OVER 4' & 5' M.H.), OR 6" (8' M.H.) USE STEEL REBAR SPACERS

SLOPE 3/8" TO DRAIN

STEEL TROWEL FINISH

2' X 4" KEYWAY OR #4 BARS AT 8" C-C (4' & 5' M.H.) OR #5 BARS AT 8" C-C (5' & 6' M.H.) IN LIEU OF KEYWAY

#4 BARS AT 6" C-C (4' M.H.), OR #5 BARS AT 8" C-C (5' & 6' M.H.) EACH WAY

#4 BARS AT 18" OUTSIDE FACE

#4 BARS AT 15" (4' M.H.) OR 9" (5' & 6' M.H.) INSIDE FACE.

#4 DOWELS AT 18" ALL AROUND EXCEPT IN WAY OF PIPE

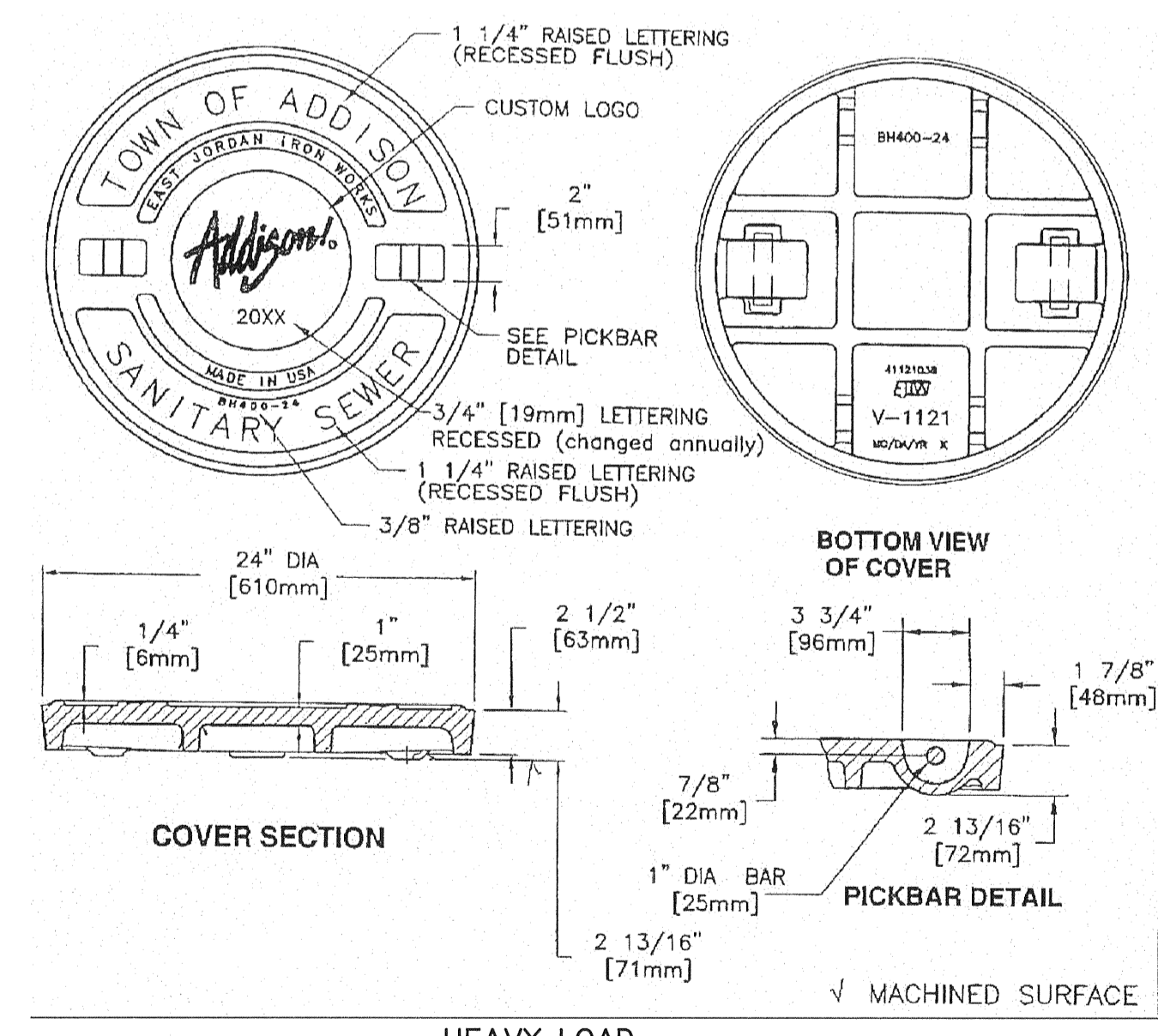
5" MIN.

SECTION A-A N.T.S.

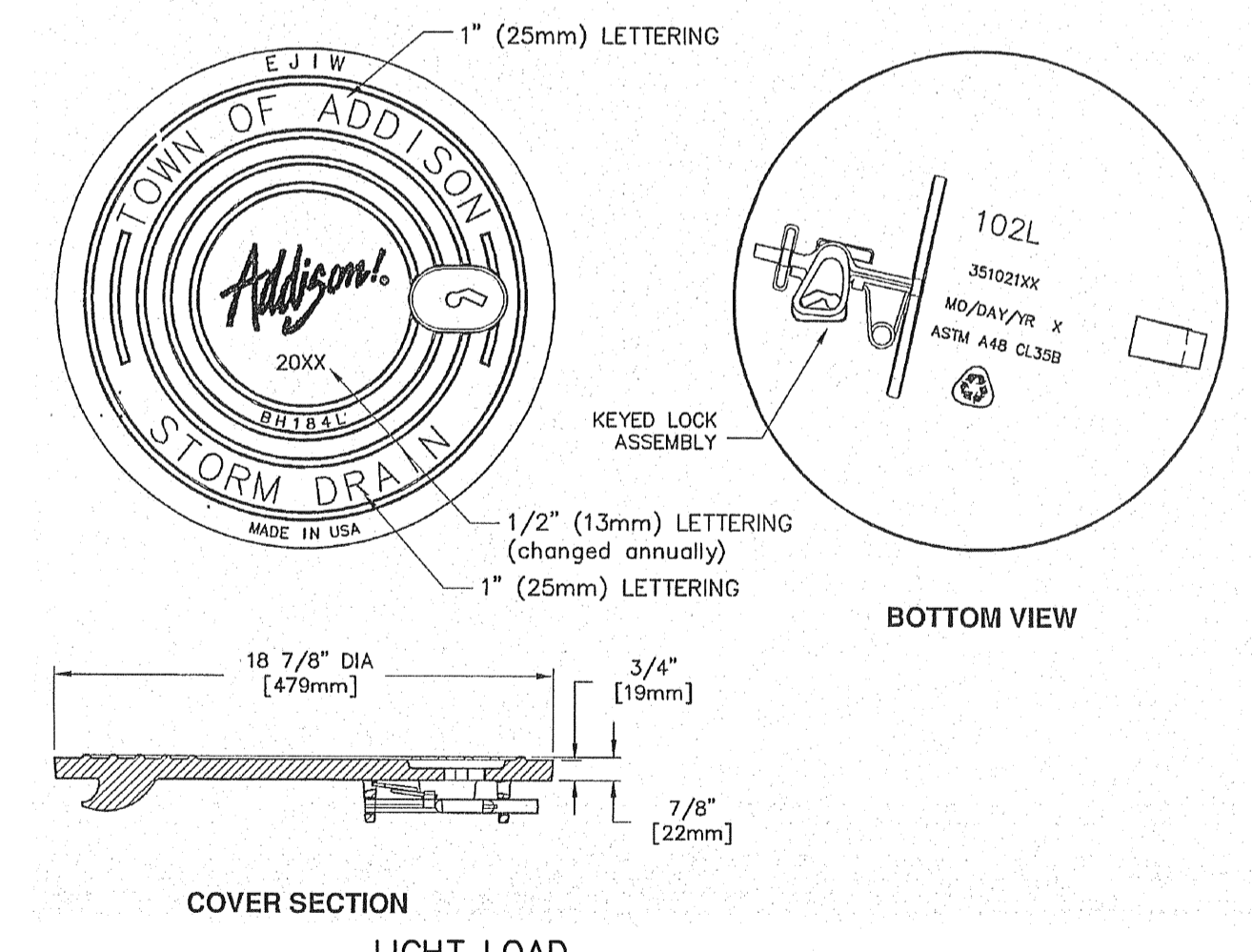
CORNER DETAIL PLAN VIEW N.T.S.

NOTES:  
1. SLOPE INVERT OF MANHOLE AS INDICATED ON PLAN-PROFILE SHEET.  
2. LAYERS OF REINFORCING STEEL NEAREST THE INTERIOR AND EXTERIOR SURFACE SHALL HAVE A COVER OF 2" TO THE CENTER OF BARS, UNLESS OTHERWISE NOTED.  
3. CONCRETE SHALL BE CLASS "A".

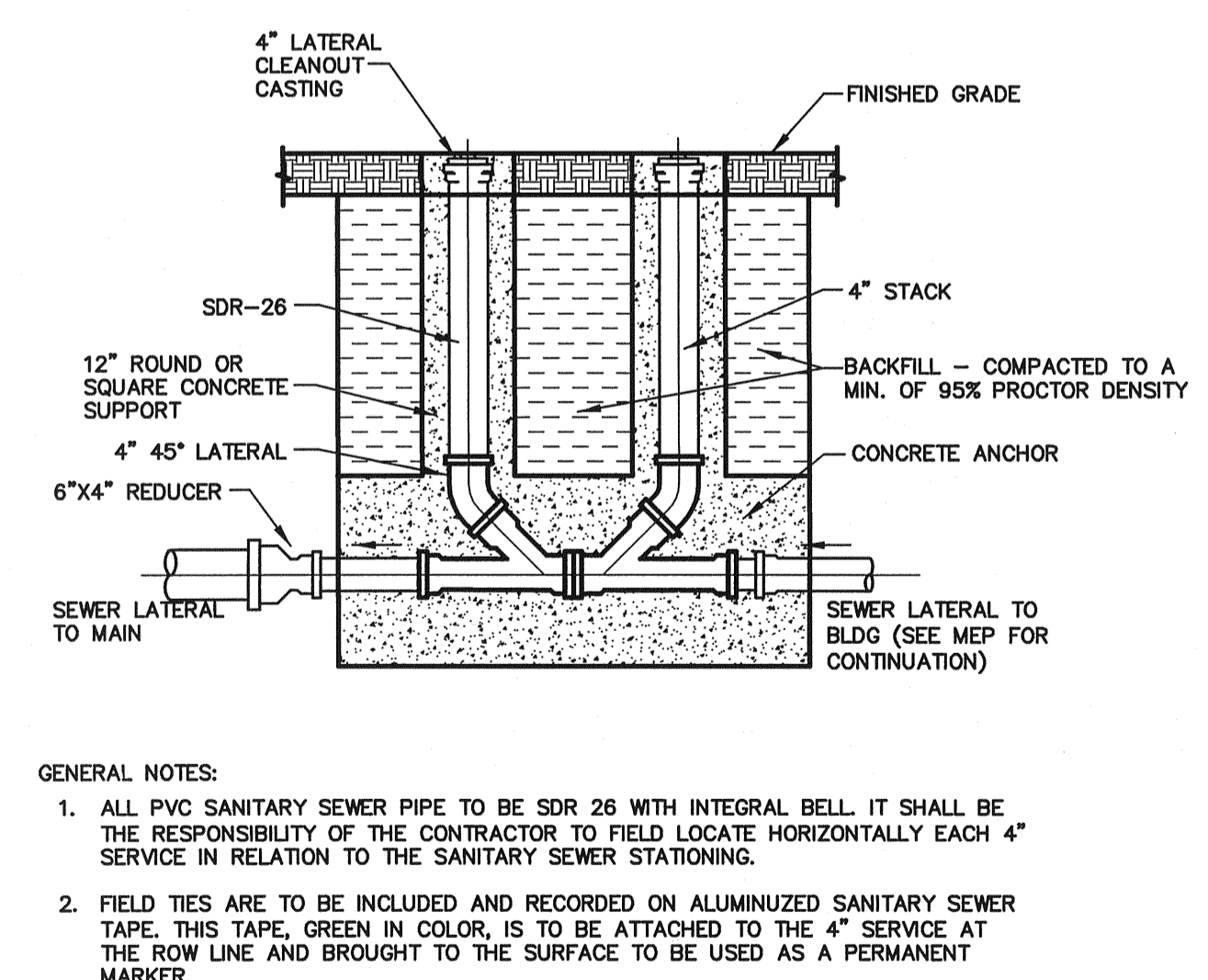
**3 SQUARE STORM SEWER MANHOLE**  
NOT TO SCALE



**4 SANITARY SEWER MANHOLE LID DETAIL**  
NOT TO SCALE



**5 STORM SEWER MANHOLE LID DETAIL**  
NOT TO SCALE



**6 SANITARY SEWER DOUBLE CLEANOUT ASSEMBLY**  
NOT TO SCALE

**RECORD DRAWING**

THIS DRAWING HAS BEEN REVISED TO REFLECT CONSTRUCTION RECORDS MAINTAINED AND PROVIDED BY THE CONTRACTOR FOR THIS PROJECT.

CONTRACTOR: TRI-DAL LTD.

DATE REVISED: SEPTEMBER 28, 2008

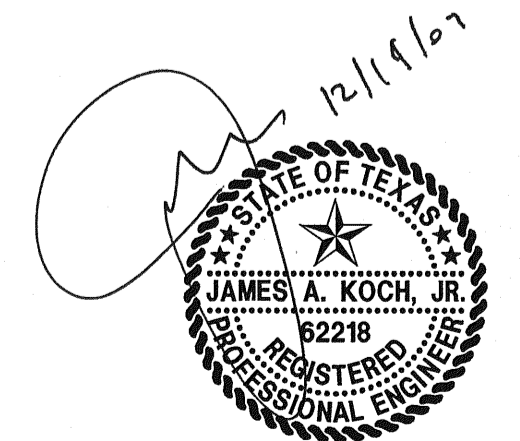
**PW# 2007-010**

NO.	DATE	REVISION
1	09/28/2009	RECORD DRAWINGS
2	03/18/2009	FIRE HYDRANT/MONUMENT SIGN LOCATION/CITY COMMENT
3	10/27/2008	ELECTRICAL SECONDARY AND WATER VAULT CONFLICT
4	10/22/2008	ONCOR CONSTRUCTION COMMENTS
5	10/16/2008	ONCOR CONSTRUCTION COMMENTS
6	09/16/2008	TOWN OF ADDISON COMMENTS
7	08/08/2008	SITE PLAN UPDATE/ONCOR COMMENTS
8	06/10/2008	GARAGE FINISHED FLOOR ELEV/ELEC DUCT BANK ADDITION
9	03/18/2008	FRANCHISE UTILITY LINE CONFLICT REVISION
10	01/23/2008	UTILITY LINE CONFLICT/CITY COMMENTS REVISION
11	01/08/2008	STORM LINE FLOWLINE REVISIONS

**Pacheco Koch Consulting Engineers**  
8350 N. CENTRAL EXP'Y, SUITE 1000 TX REG. ENGINEERING FIRM F-469  
DALLAS, TX 75206 972.235.3031 TX REG. SURVEYING FIRM LS-100080-00

**UTILITY DETAILS**  
**TWO ADDISON CIRCLE**  
**3.371 ACRES**  
**15600 DALLAS PARKWAY**  
**TOWN OF ADDISON, TEXAS**

DESIGN	DRAWN	DATE	SCALE	NOTES	FILE	NO.
JAK/KFW	KLH	DEC 2009				<b>C4.4</b>



THE SEAL APPEARING ON THIS DOCUMENT WAS AUTHORIZED BY JAMES A. KOCH, JR., P.E. 62218 ON 12/14/2007. ALTERATION OF A SEALED DOCUMENT WITHOUT PROPER NOTIFICATION TO THE RESPONSIBLE ENGINEER IS AN OFFENSE UNDER THE TEXAS ENGINEERING PRACTICE ACT.