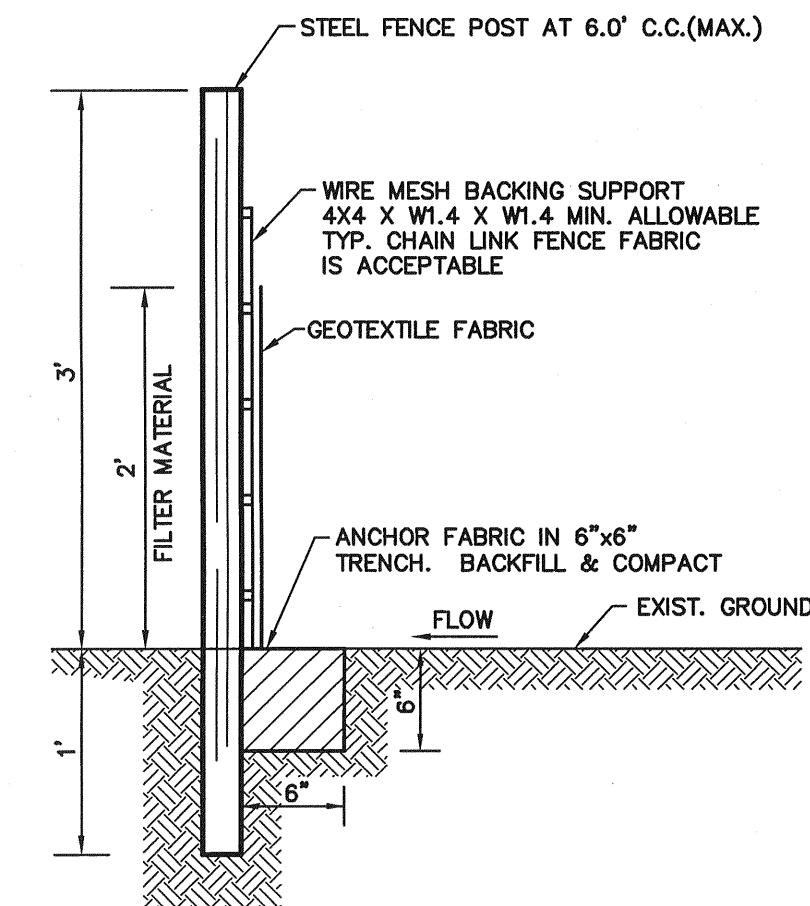
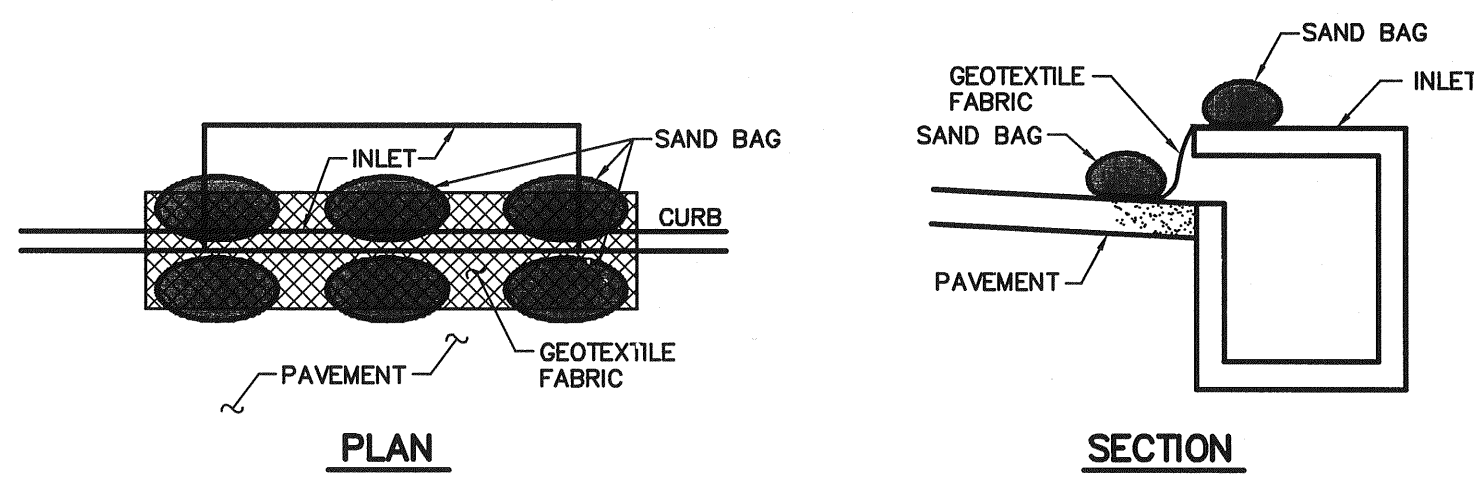


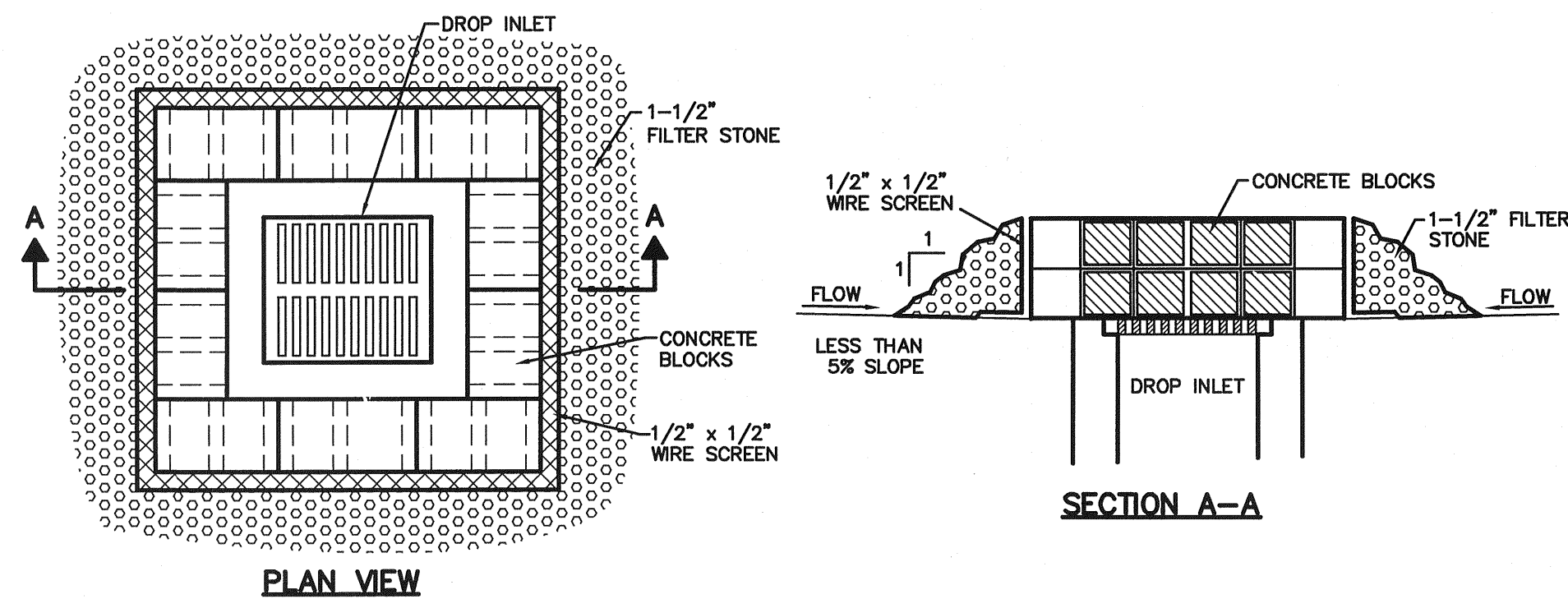
1 STABILIZED CONSTRUCTION ENTRANCE
NOT TO SCALE



2 SILT FENCE
NOT TO SCALE



3 CURB INLET PROTECTION "C"
NOT TO SCALE



4 DROP INLET PROTECTION
NOT TO SCALE

RECORD DRAWING
THIS DRAWING HAS BEEN REVISED TO REFLECT CONSTRUCTION RECORDS MAINTAINED AND PROVIDED BY THE CONTRACTOR FOR THIS PROJECT.
CONTRACTOR: TRI-DAL, LTD.
DATE REVISED: SEPTEMBER 28, 2009

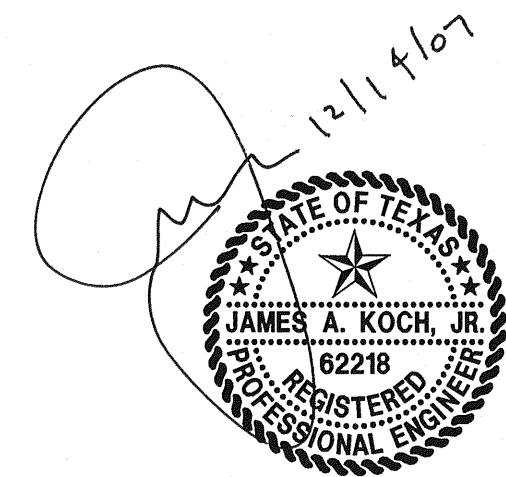
PW# 2007-010

NO.	DATE	REVISION
△	09/28/2009	RECORD DRAWINGS
△	03/18/2009	FIRE HYDRANT/MONUMENT SIGN LOCATION/CITY COMMENT
△	10/27/2008	ELECTRICAL SECONDARY AND WATER VAULT CONFLICT
△	10/22/2008	ONCOR CONSTRUCTION COMMENTS
△	10/16/2008	ONCOR CONSTRUCTION COMMENTS
△	09/16/2008	TOWN OF ADDISON COMMENTS
△	08/08/2008	SITE PLAN UPDATE/ONCOR COMMENTS
△	06/10/2008	GARAGE FINISHED FLOOR ELEV/ELEC DUCT BANK ADDITION
△	03/18/2008	FRANCHISE UTILITY LINE CONFLICT REVISION
△	01/23/2008	UTILITY LINE CONFLICT/CITY COMMENTS REVISION
△	01/08/2008	STORM LINE FLOWLINE REVISIONS

Pacheco Koch Consulting Engineers
8350 N. CENTRAL EXPWY., SUITE 1000 TX REG. ENGINEERING FIRM F-469
DALLAS, TX 75206 972.235.3031 TX REG. SURVEYING FIRM LS-100080-00

EROSION CONTROL DETAILS
TWO ADDISON CIRCLE
3.371 ACRES
15600 DALLAS PARKWAY
TOWN OF ADDISON, TEXAS

DESIGN	DRAWN	DATE	SCALE	NOTES	FILE	NO.
JAK/KFW	KLH	DEC 2009	NTS			C6.2



THE SEAL APPEARING ON THIS DOCUMENT WAS AUTHORIZED BY JAMES A. KOCH, JR., P.E. 62218 ON 12/14/2007. ALTERATION OF A SEALED DOCUMENT WITHOUT PROPER NOTIFICATION TO THE RESPONSIBLE ENGINEER IS AN OFFENSE UNDER THE TEXAS ENGINEERING PRACTICE ACT.