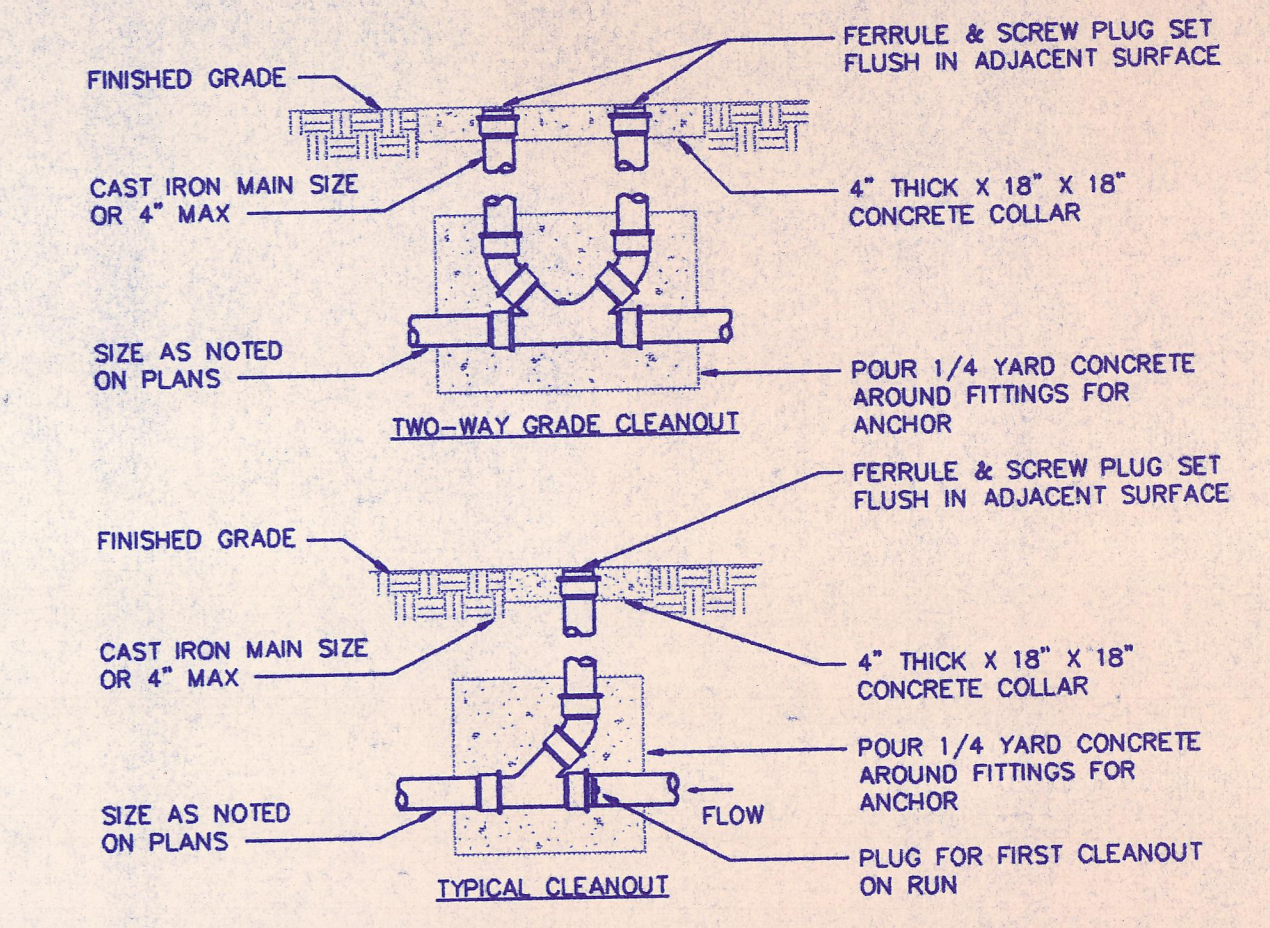
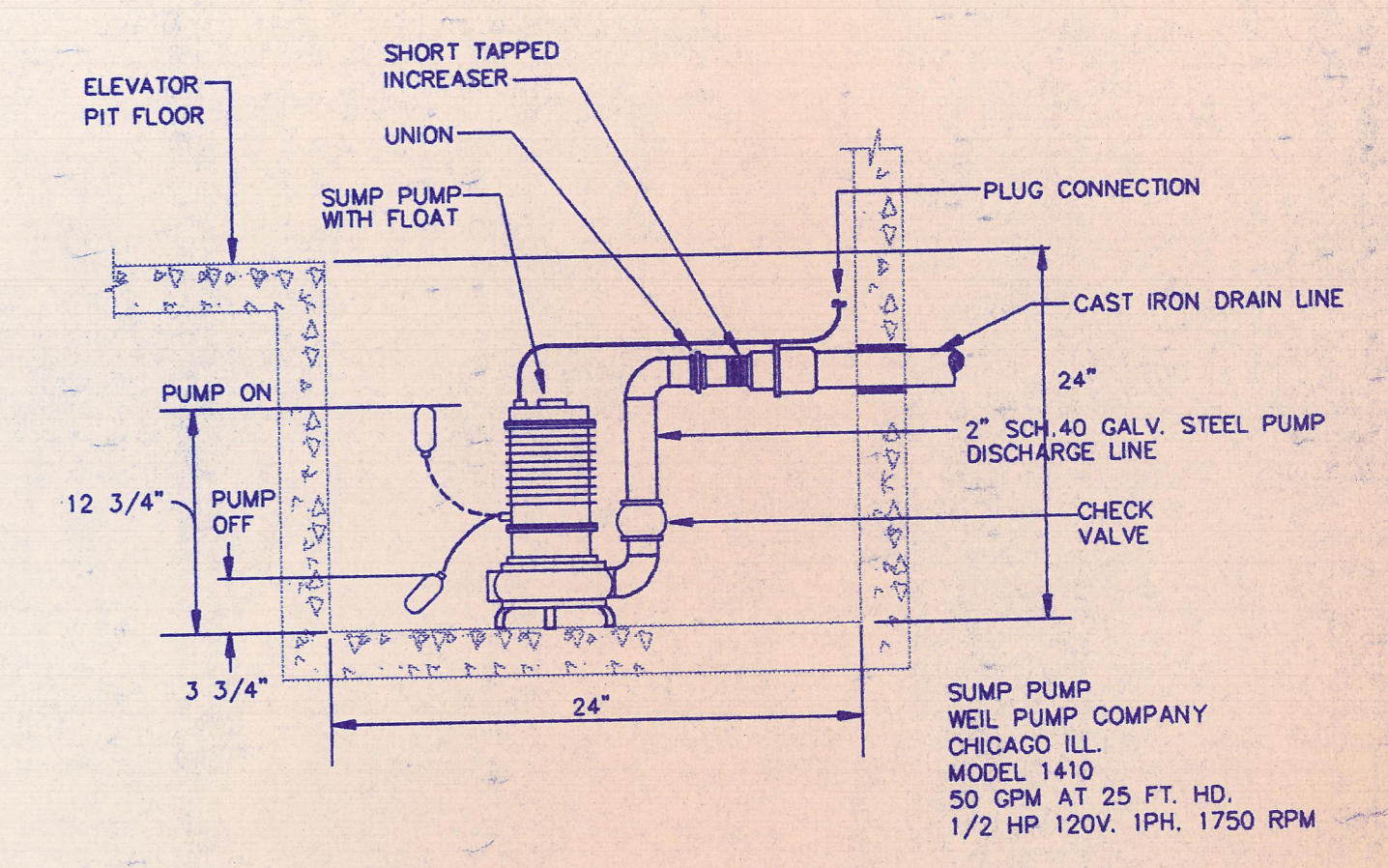


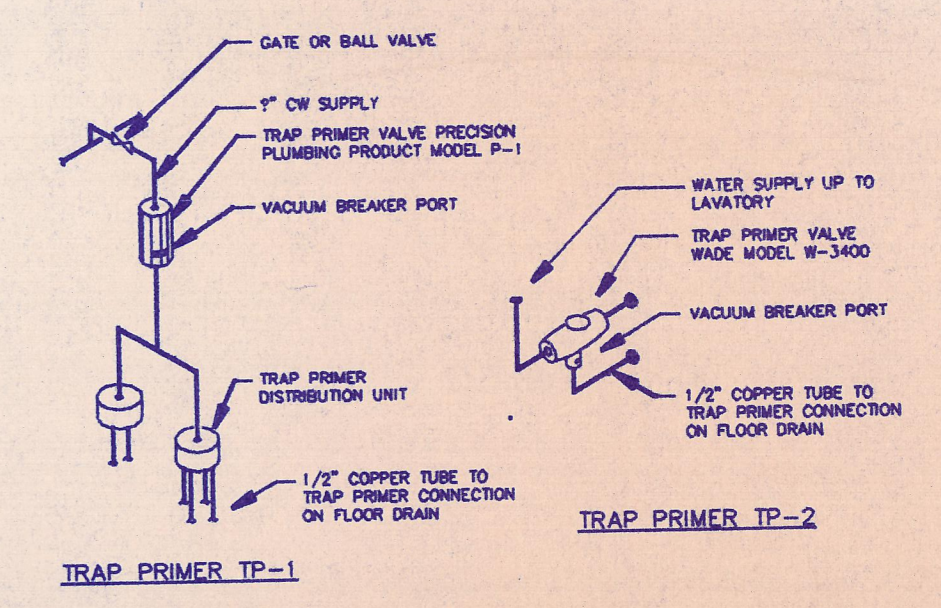
05 CATCH BASIN DETAIL
NO SCALE



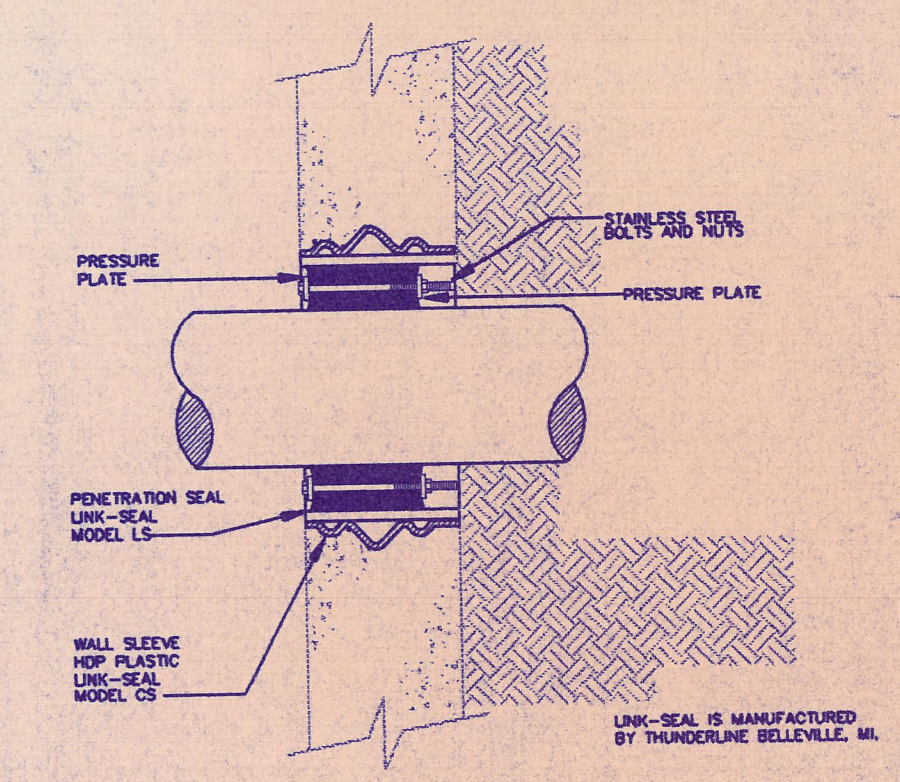
01 CLEANOUT DETAILS
NO SCALE



02 ELEVATOR SUMP DETAIL
NO SCALE



03 TRAP PRIMER DETAIL
NO SCALE



04 PIPE SLEEVE DETAIL
NO SCALE

Hallmark Center Expansion



CORGAN ASSOCIATES, INC.
DALLAS
FORT WORTH
MIAMI
NEW YORK

JOB # 295329

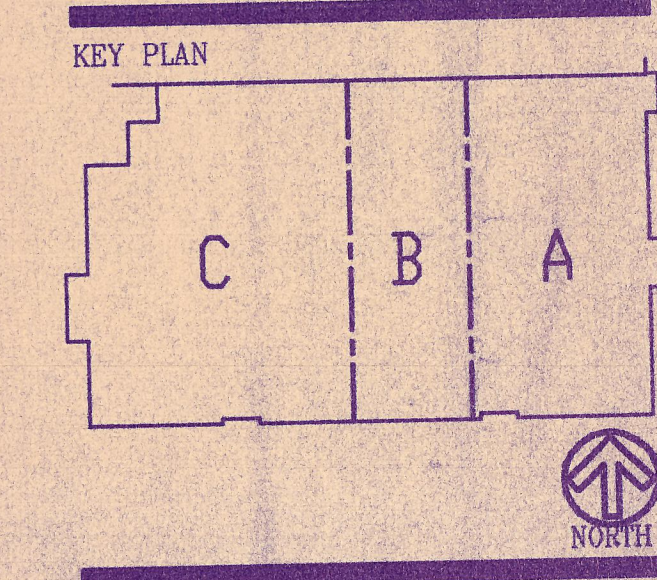
ccrd partners

Professional and consulting engineers
DALLAS - HOUSTON
4311 Oak Lawn Avenue
Suite 400, LB 11
DALLAS, TEXAS 75219
(214) 521-1661
FAX (214) 521-1664

ISSUES
ISSUE #4 FEBRUARY 24, 1997

REVISIONS

DETAIL SHEET - PLUMBING/FIRE PROTECTION



DATE:
PROJECT NUMBER: 95091.00
DRAWN BY:
CHECKED BY:
PLOT FILE:

FILE: P:\CADD\95\HALLMARK\EXPANDET.DWG PLS
PLOTNO: 02-24-97 09:48