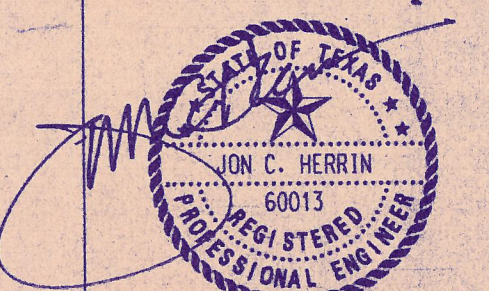


CORGAN ASSOCIATES, INC.

DALLAS
FORT WORTH
MIAMI
NEW YORK

L.A. JESS PARTNERS ENGINEERS
3400 CALLE STREET SUITE 200
DALLAS, TX 75246
LAFJ Project No. 8556
Drawn: J.S. Checked: S.B. App'd: J.H.



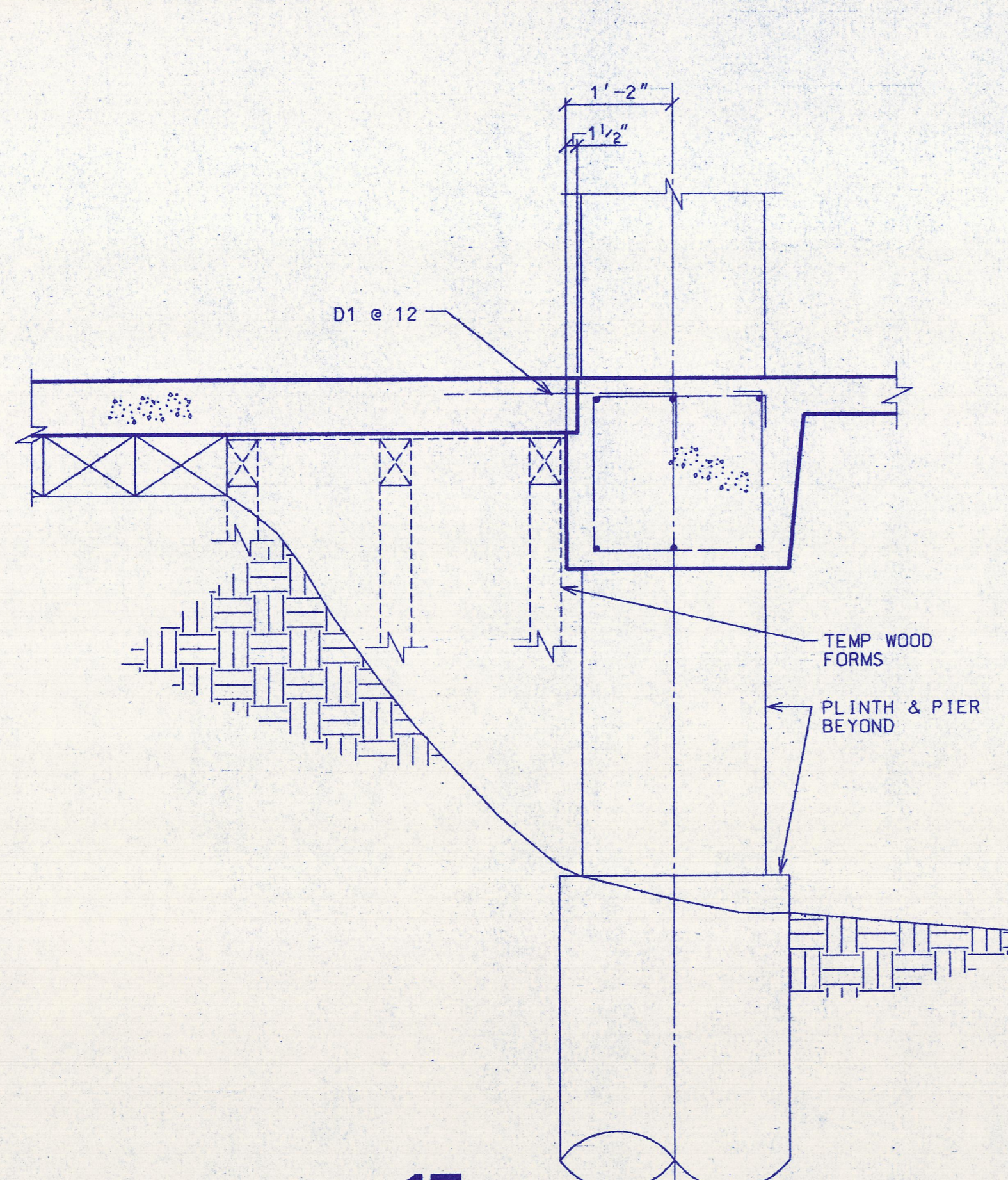
2.21.97

ISSUES
02-14-97 STRUCTURAL FOUNDATION ISSUE
02-24-97 GROUND FLOOR ISSUE-AREA A&B
02-24-97 ISSUE NO. 44

REVISIONS

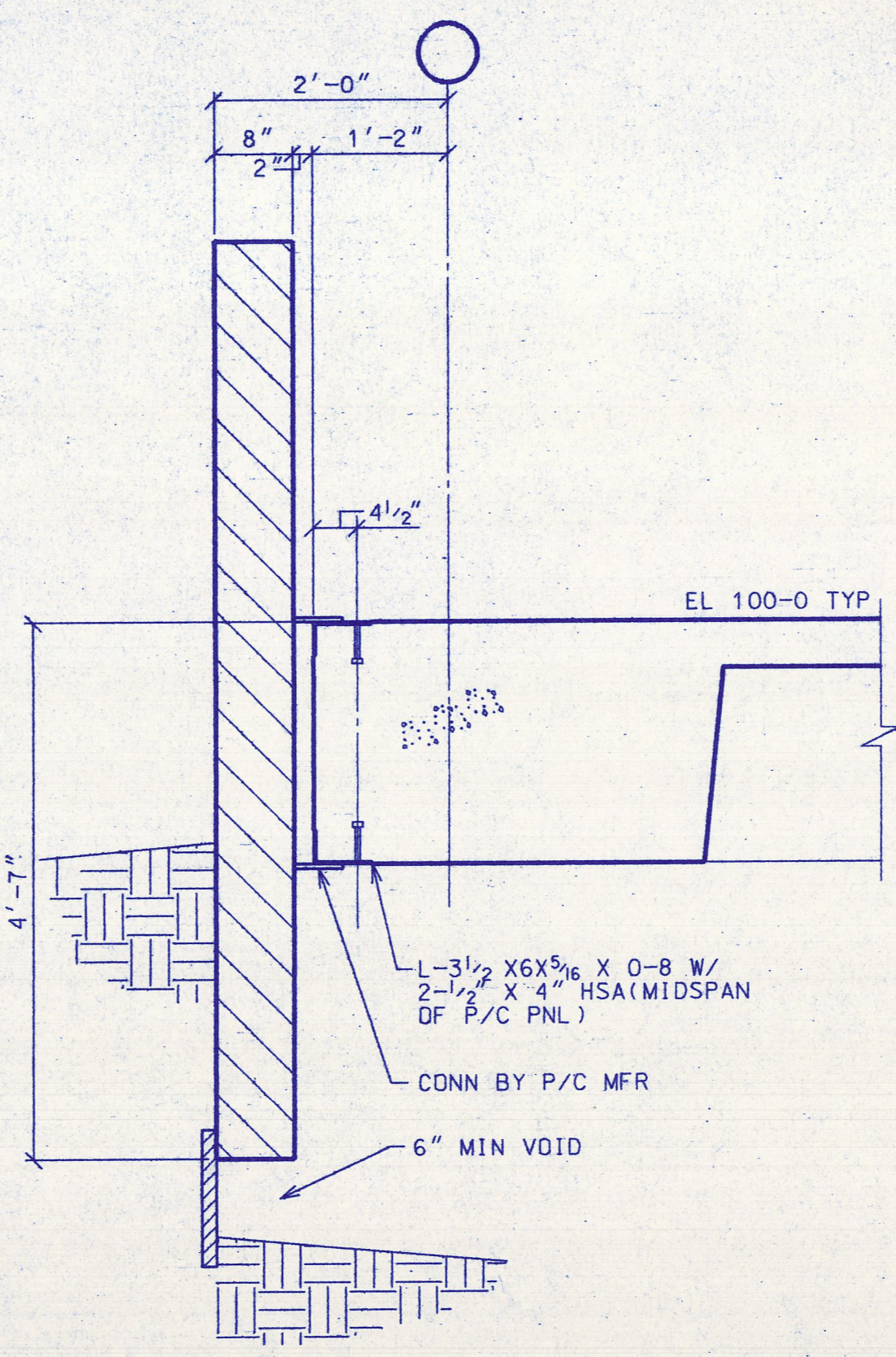
PIER SCHEDULE
& TYPICAL CONCRETE
DETAILS

DATE: 02-14-97
PROJECT NUMBER: 999L00
DRAWN BY:
CHECKED BY:
PLOT FILE:



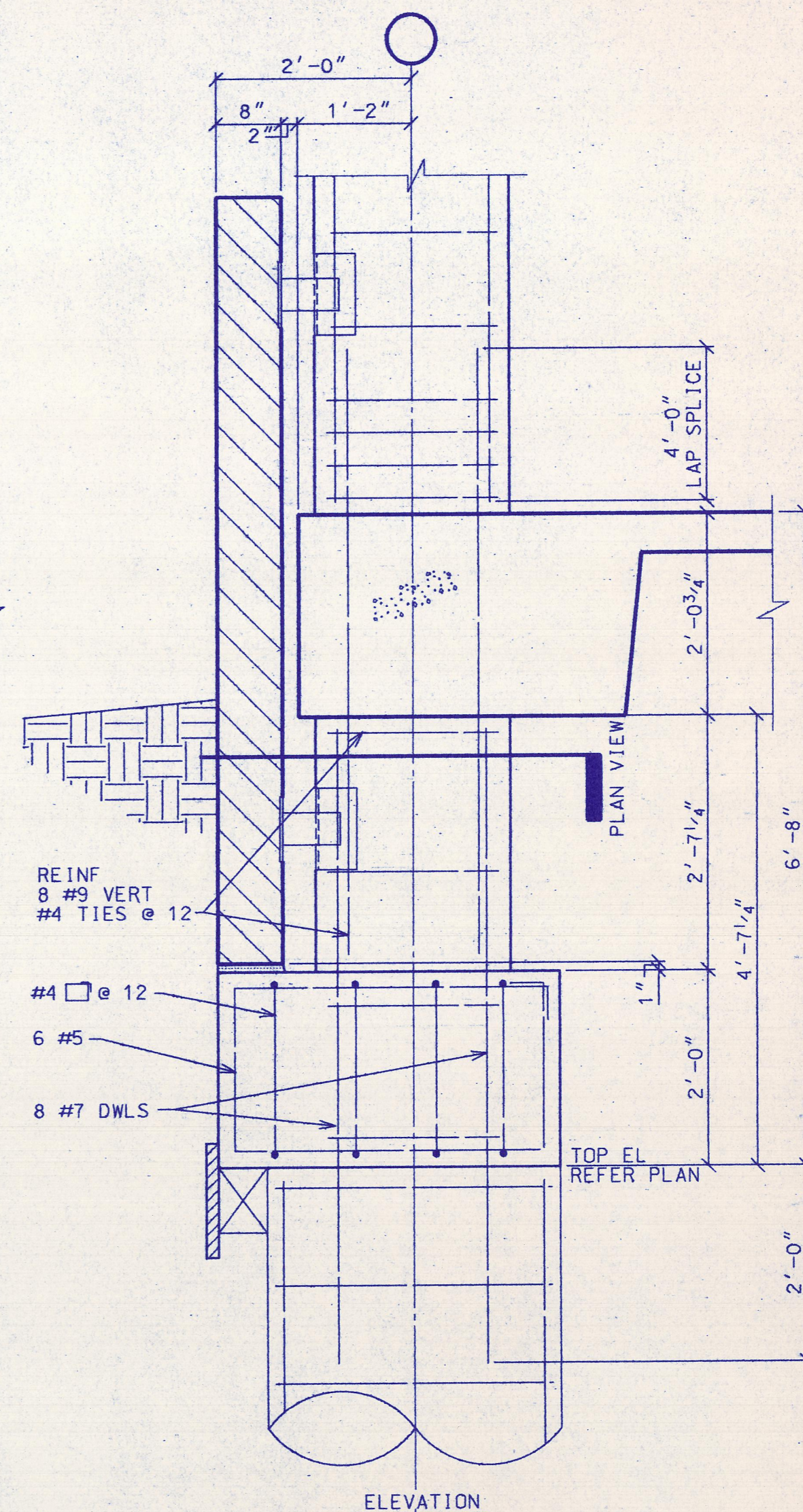
17

3/4" = 1'-0"



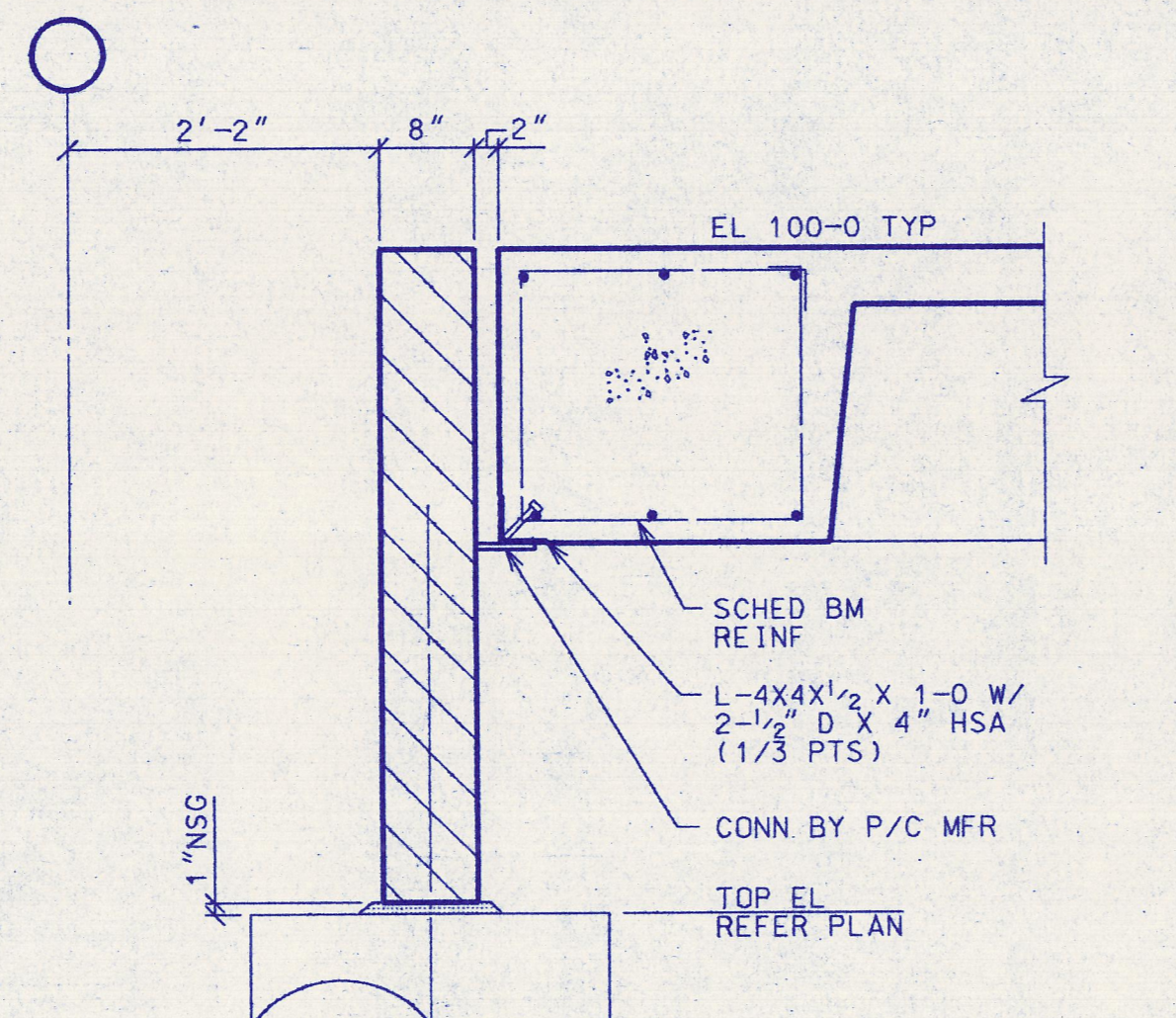
12

3/4" = 1'-0"



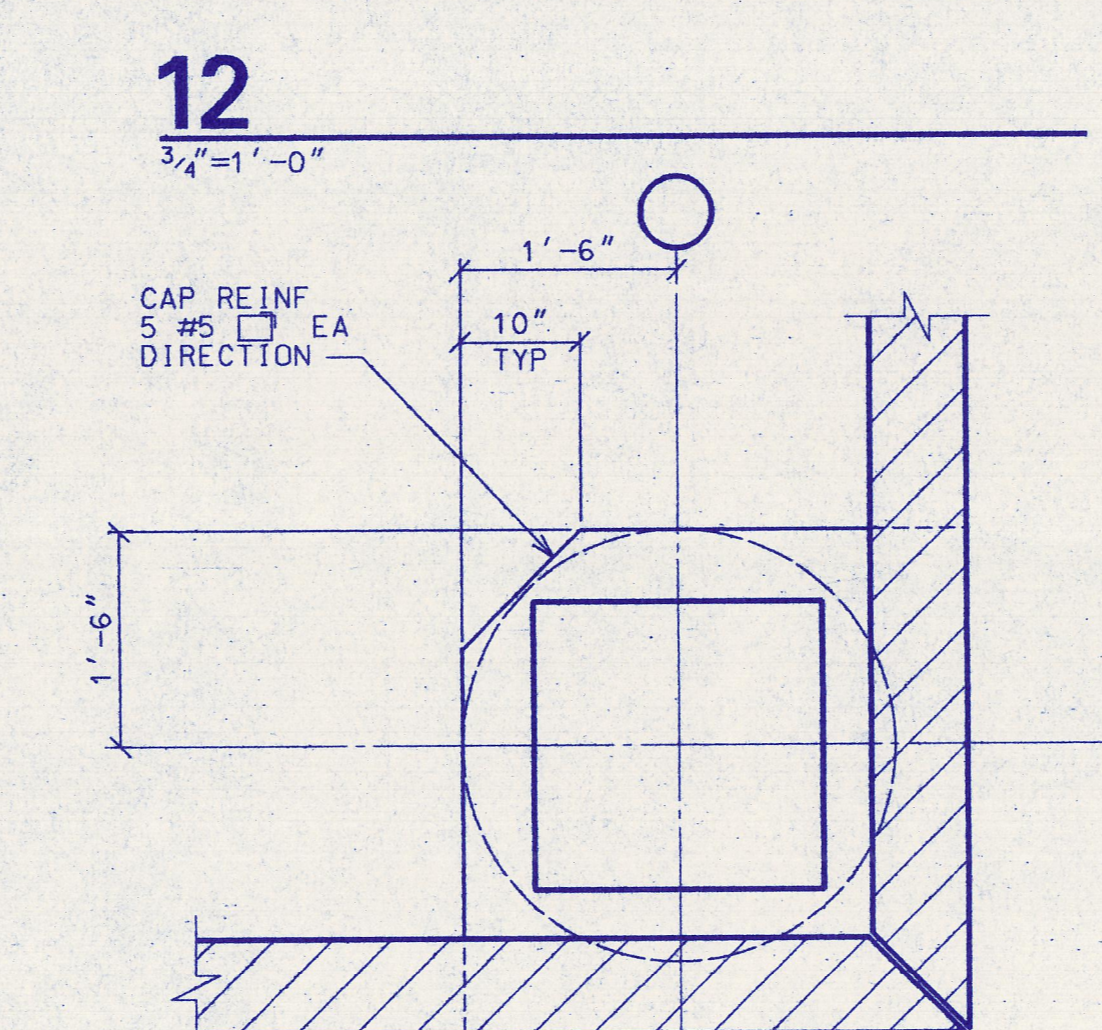
02 TYPICAL STRAIGHT SHAFT PIER
NO SCALE TD02310

STRAIGHT SHAFT PIER SCHEDULE				
PIER MARK	SHAFT DIAMETER (INCHES)	SHAFT PENETRATION (FT-IN)	VERTICAL REINF	DESIGN LOAD-KIPS
P1	36	3-0	7 #8	420
P2	36	7-0	7 #8	720
P3	36	9-0	7 #8	870
P4	36	10-0	7 #8	950
P5	18	5-0	4 #7	220
P6	42	8-0	8 #9	1100
P7	24	5-0	6 #6	330



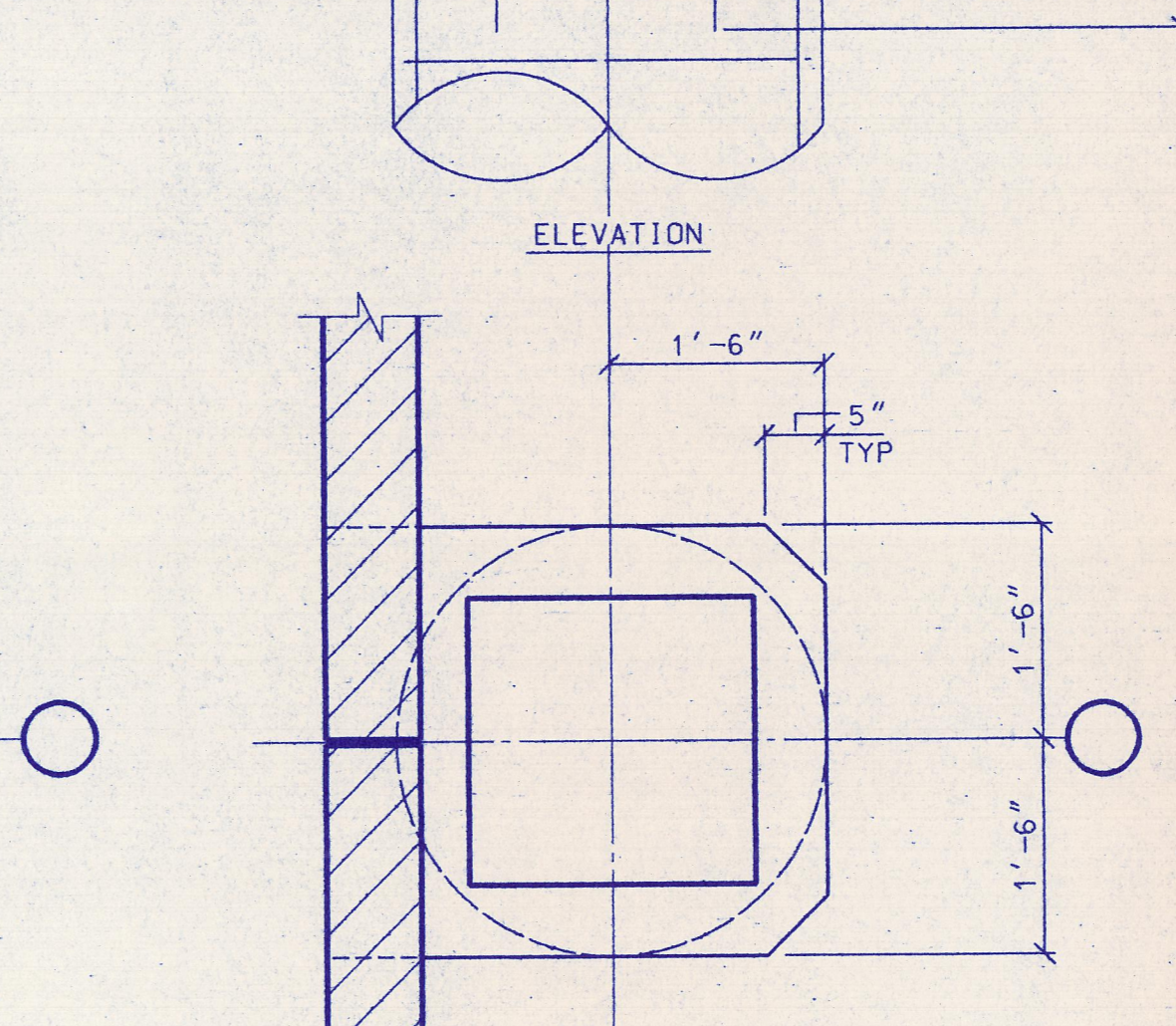
18

3/4" = 1'-0"



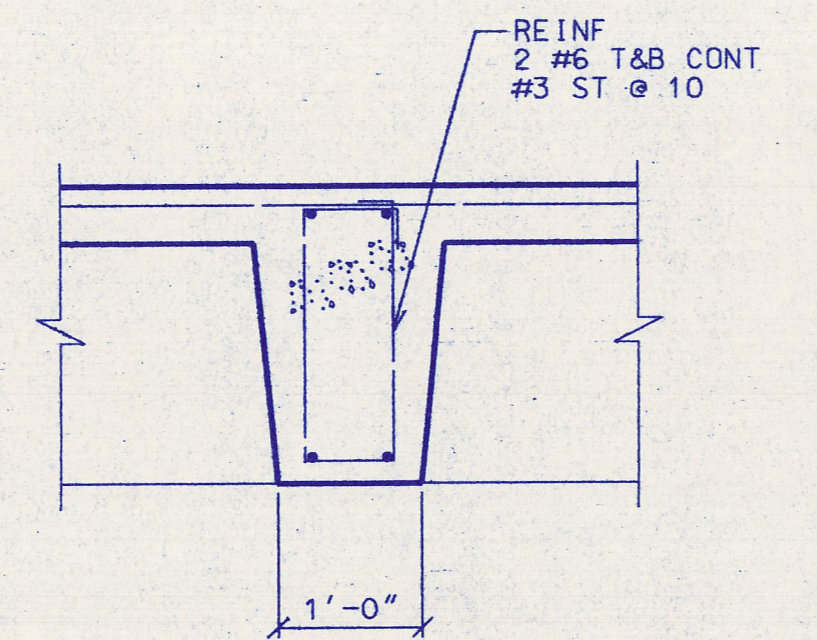
13

3/4" = 1'-0"



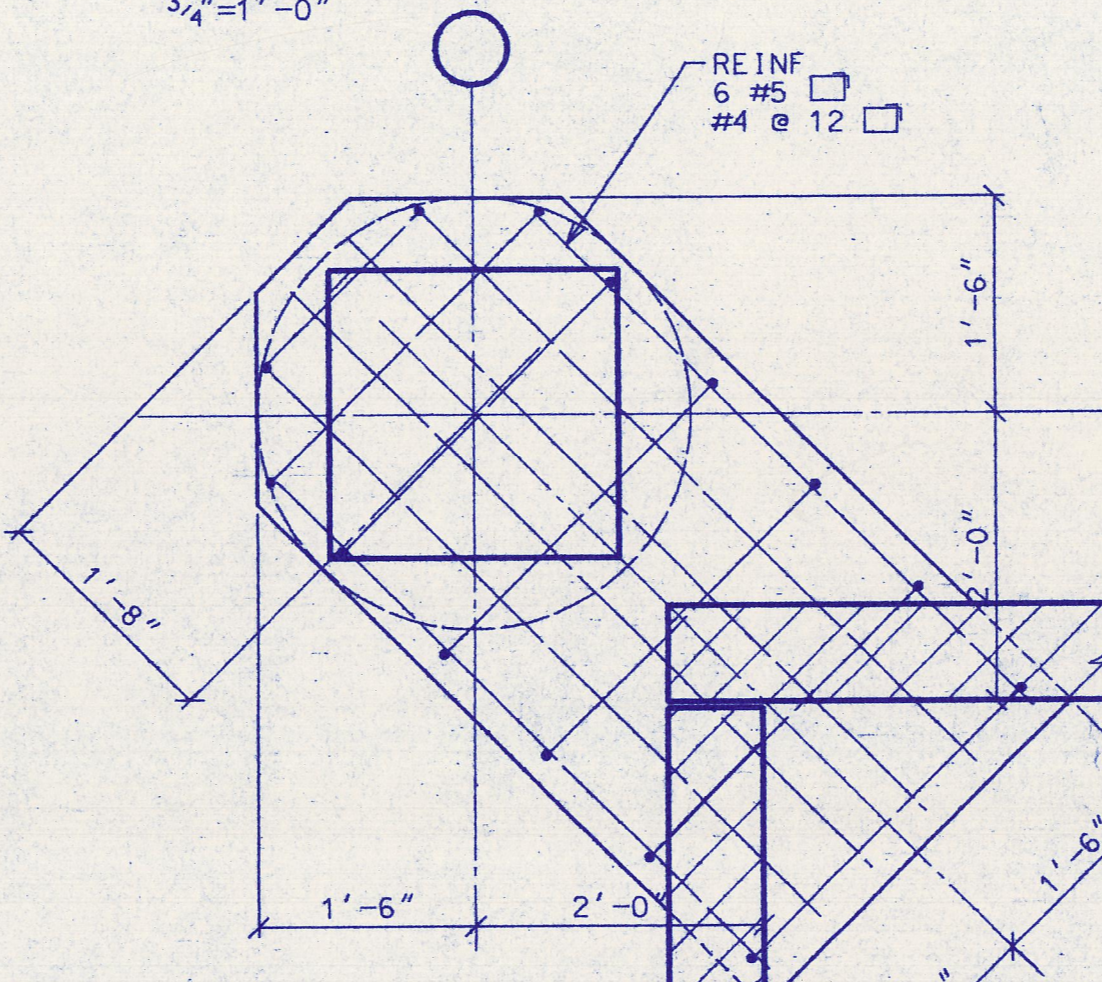
08

3/4" = 1'-0"



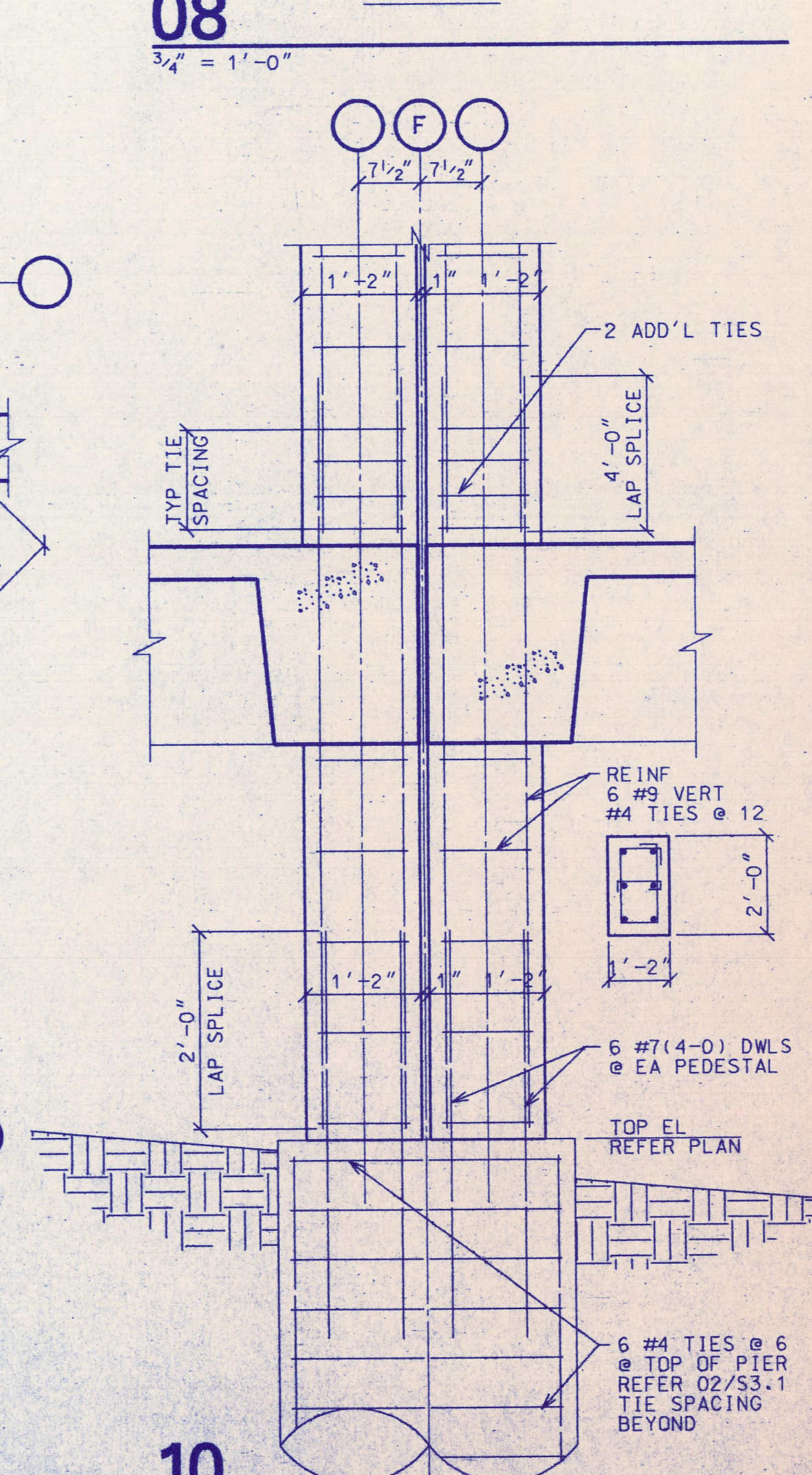
19

3/4" = 1'-0"



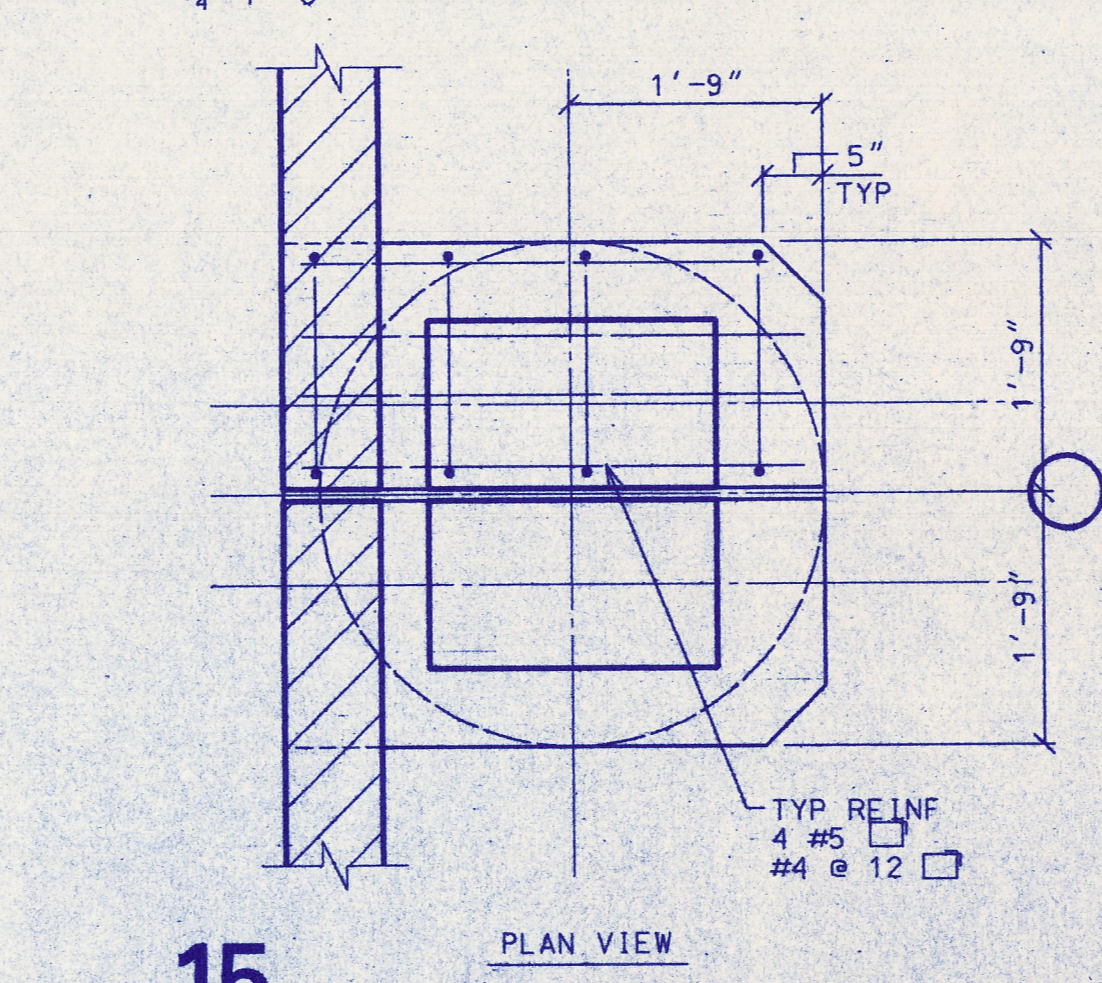
14

3/4" = 1'-0"



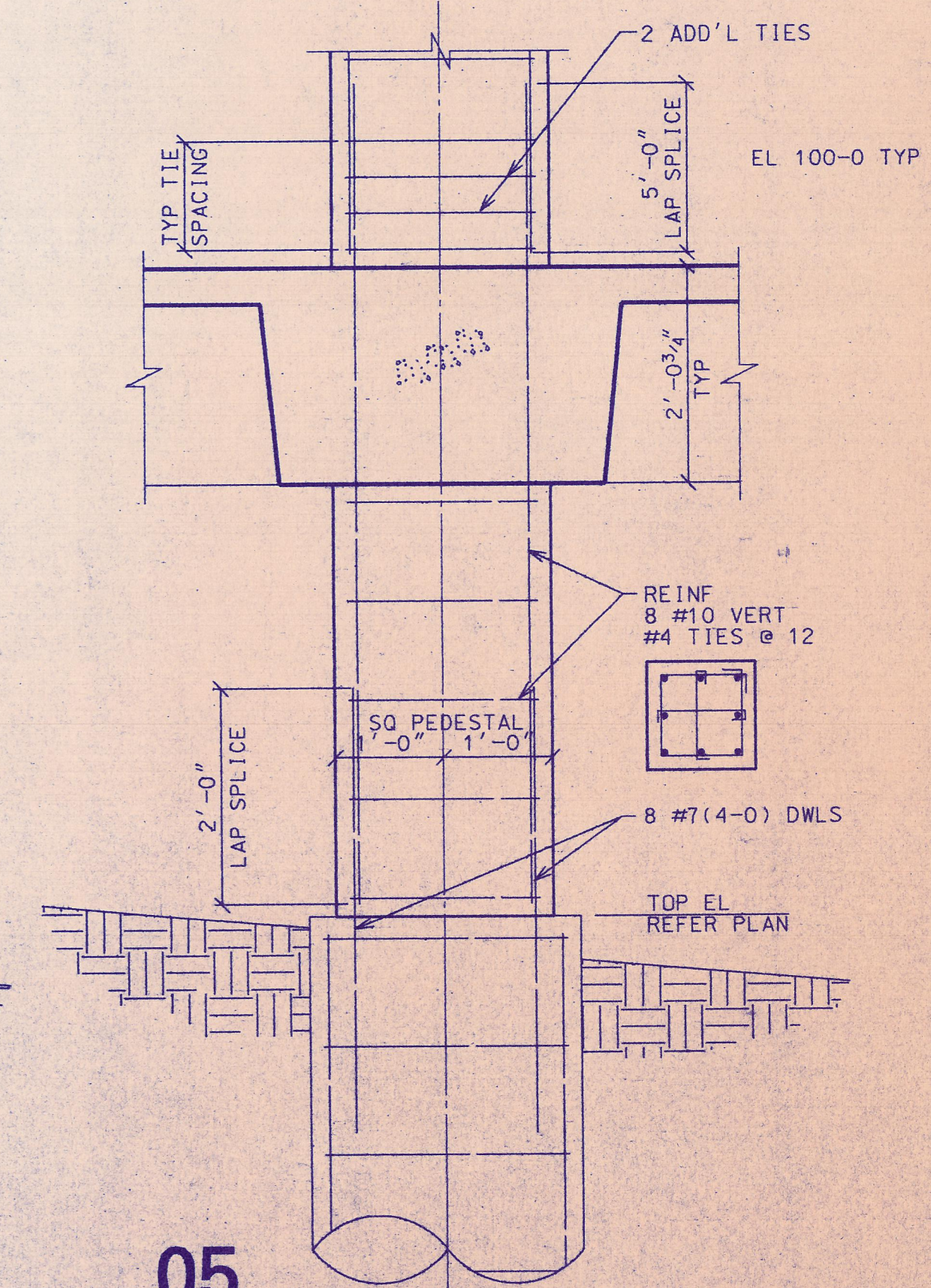
10

3/4" = 1'-0"



15

3/4" = 1'-0"



05

3/4" = 1'-0"