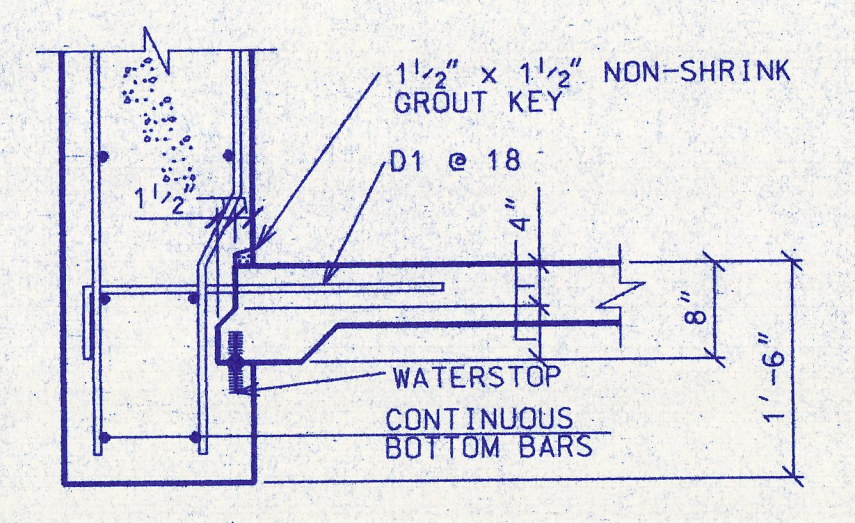
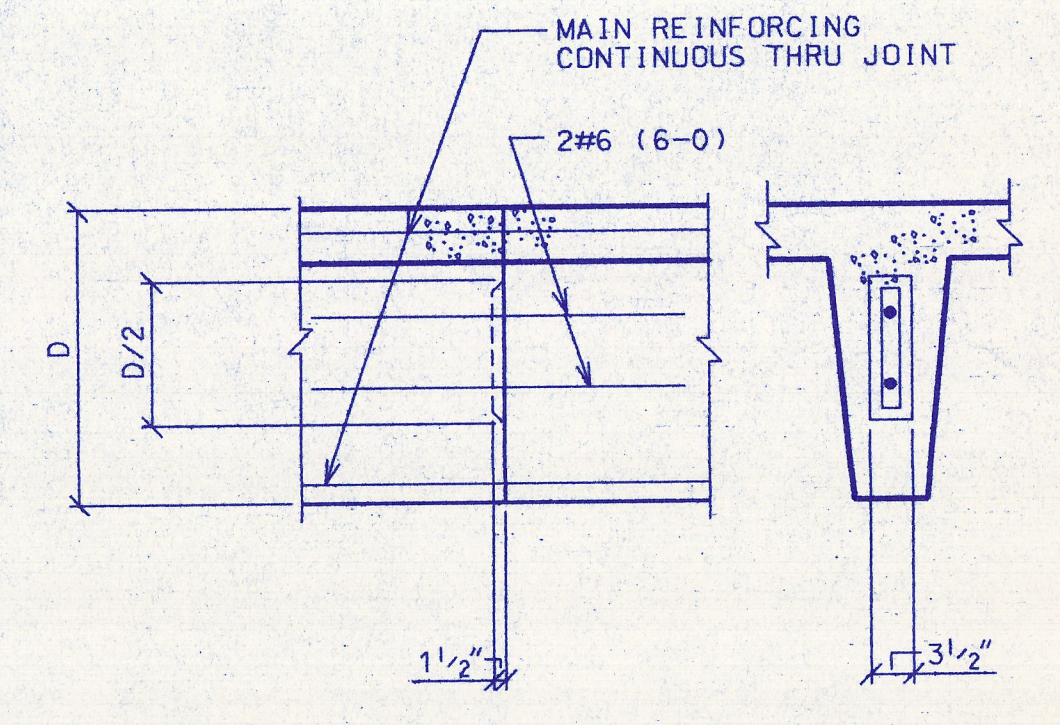


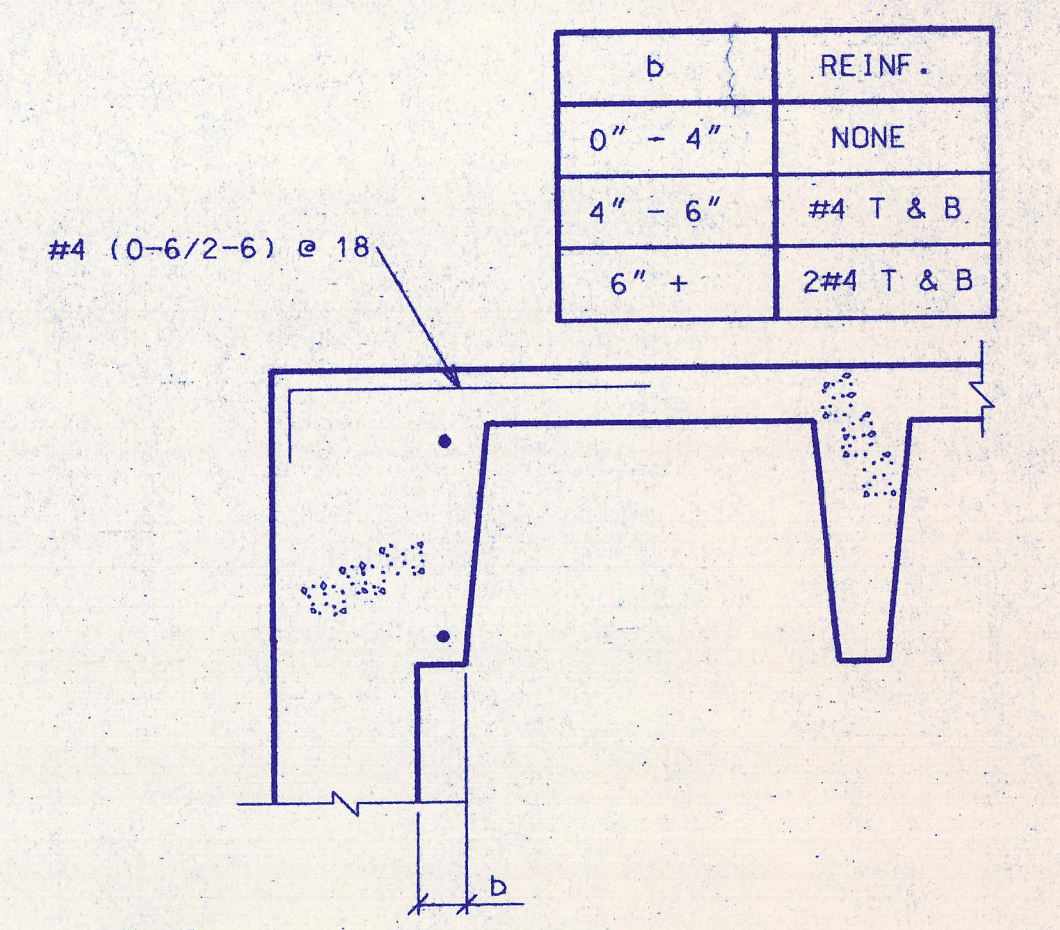
21 TYP. SLAB ON GRADE RECESSES
NO SCALE TD03010



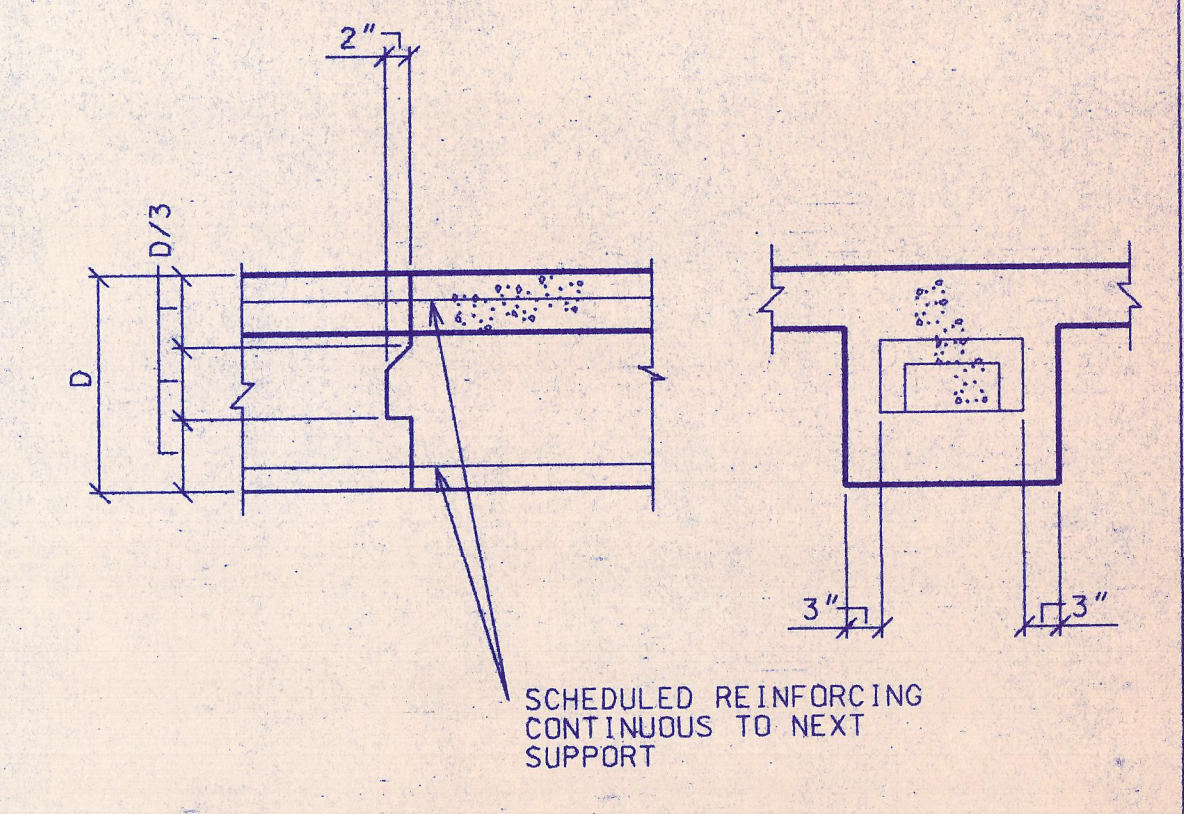
16 TYP BASEMENT FLOOR/WALL JT
NO SCALE TD03102



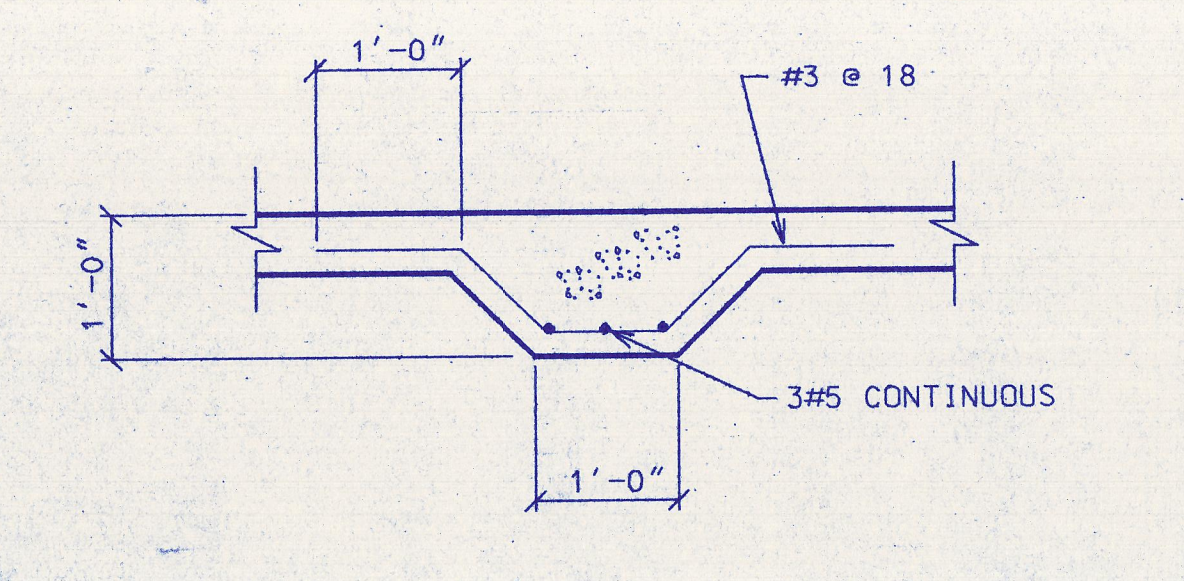
11 TYPICAL JOIST CJ
NO SCALE TD03140



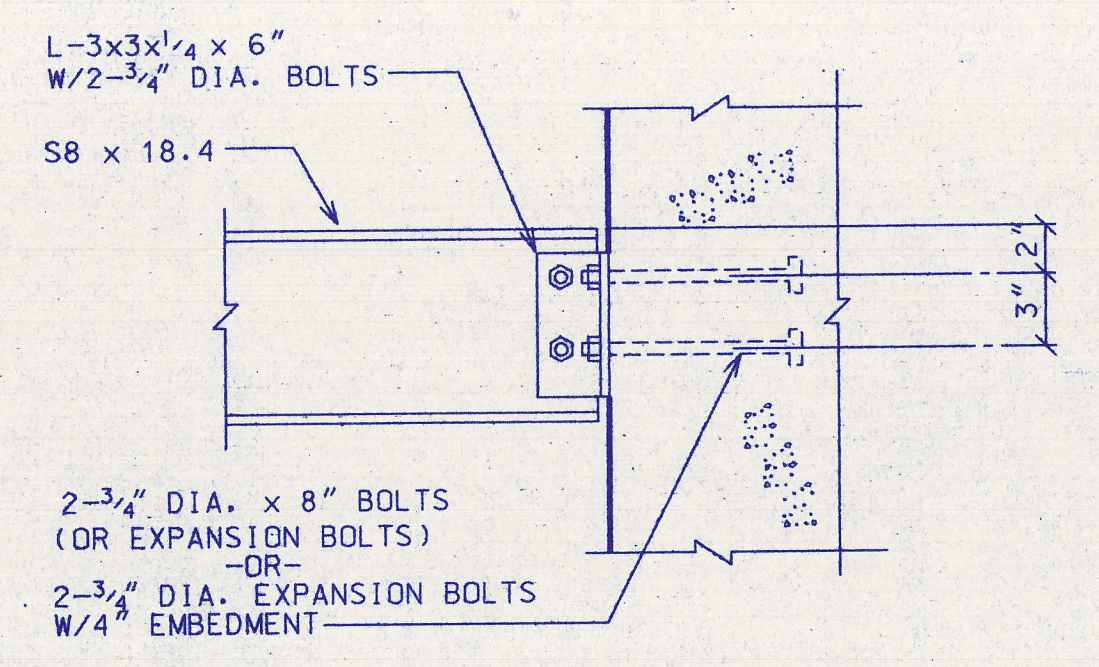
06 TYPICAL LEDGE REINFORCING
NO SCALE TD03234



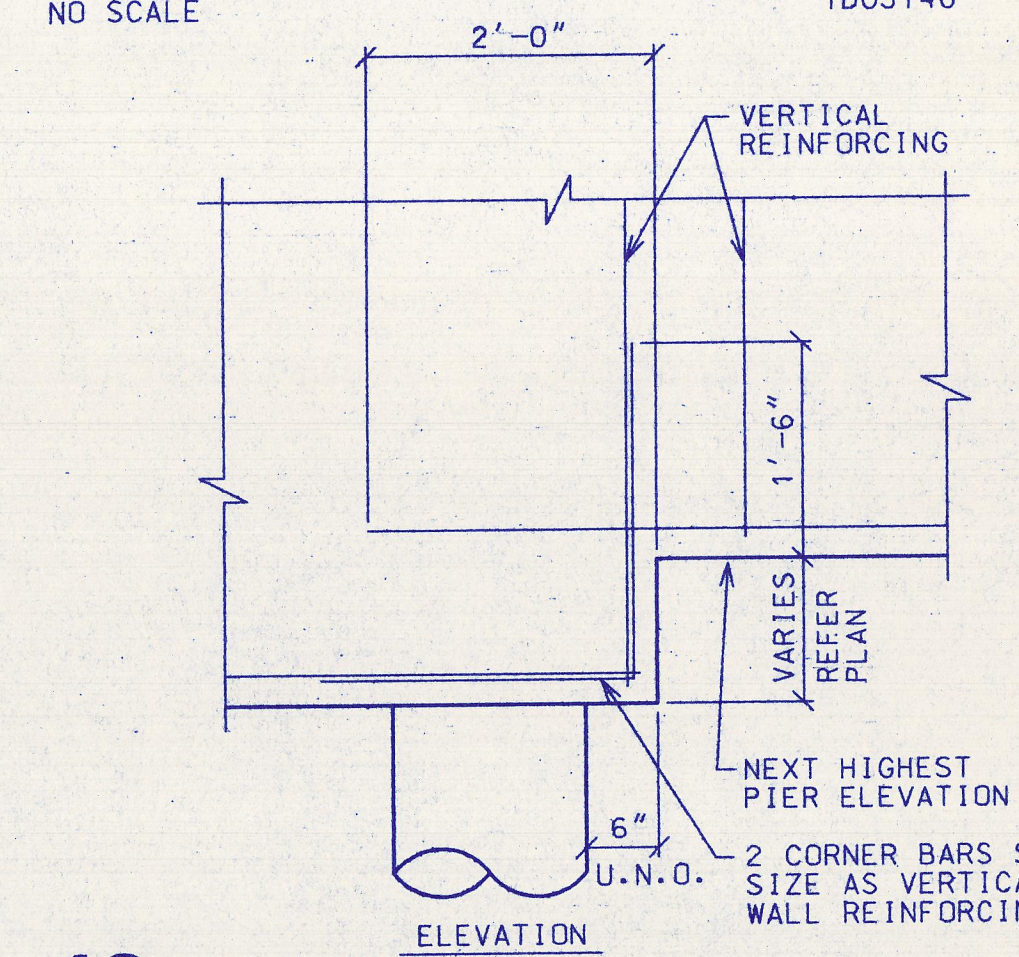
01 TYPICAL BEAM CJ
NO SCALE TD03135



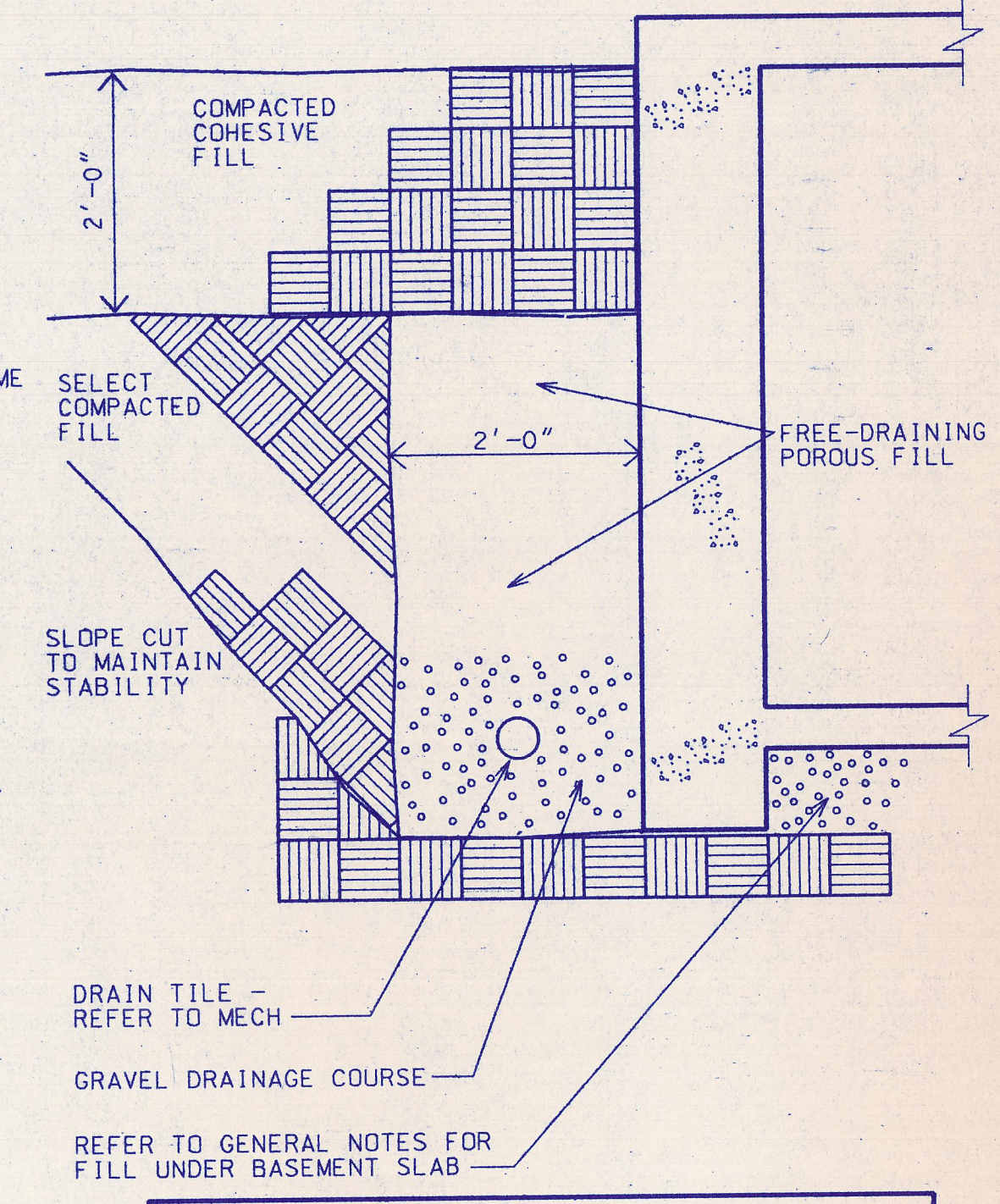
22 TYPICAL THICKENED SLAB
NO SCALE TD03011



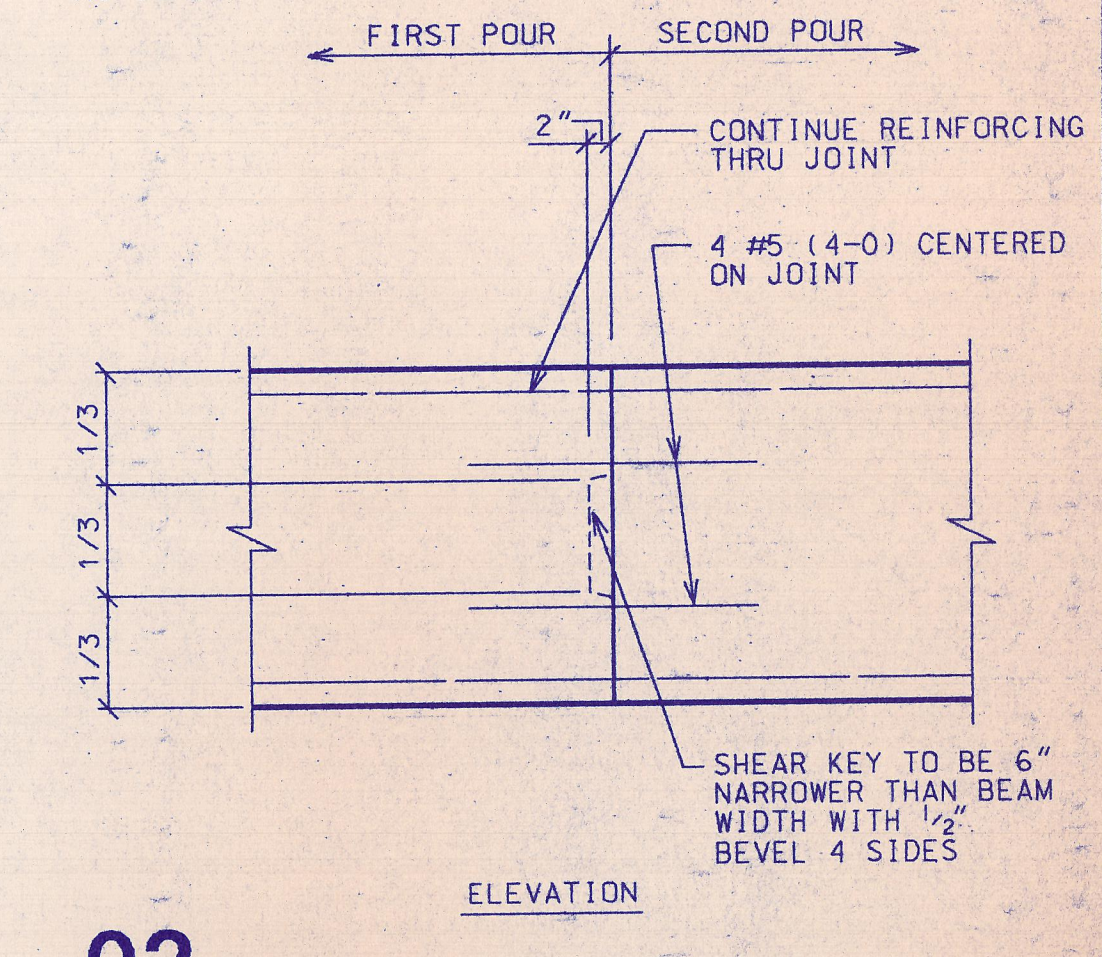
17 TYP. ELEVATOR BEAM CONN.
NO SCALE TD03002



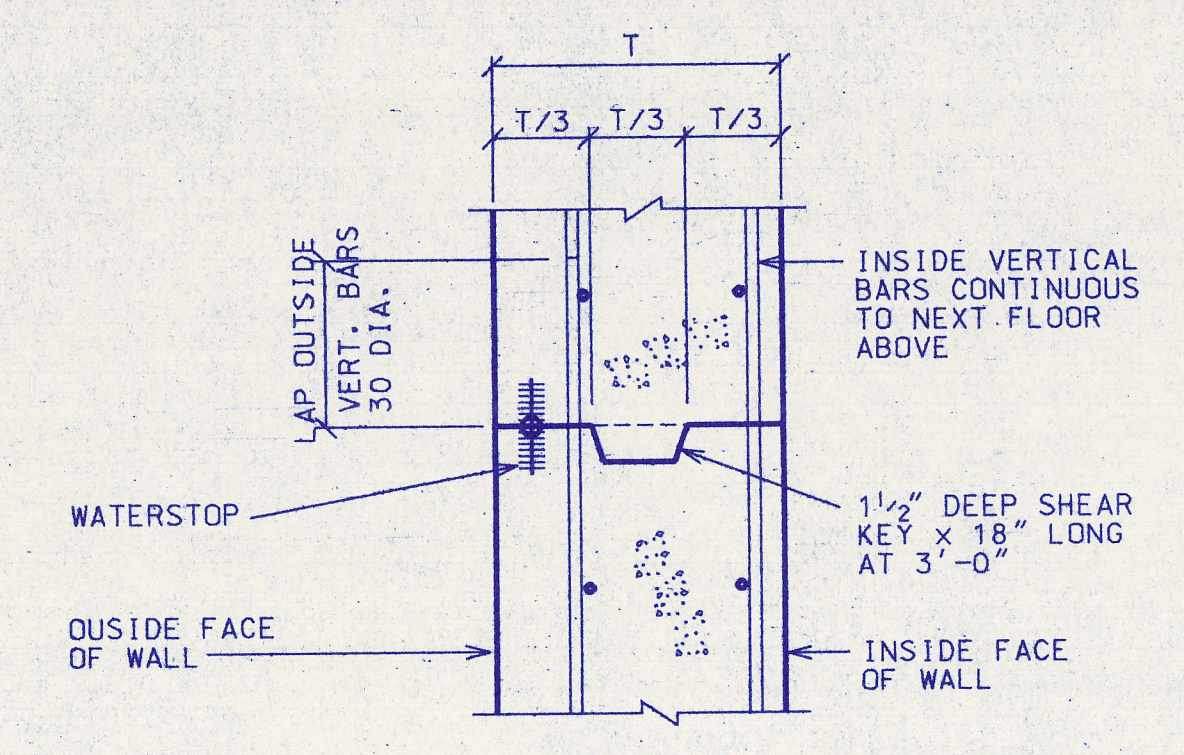
12 TYP STEP IN GR BM OR WALL
NO SCALE TD03230



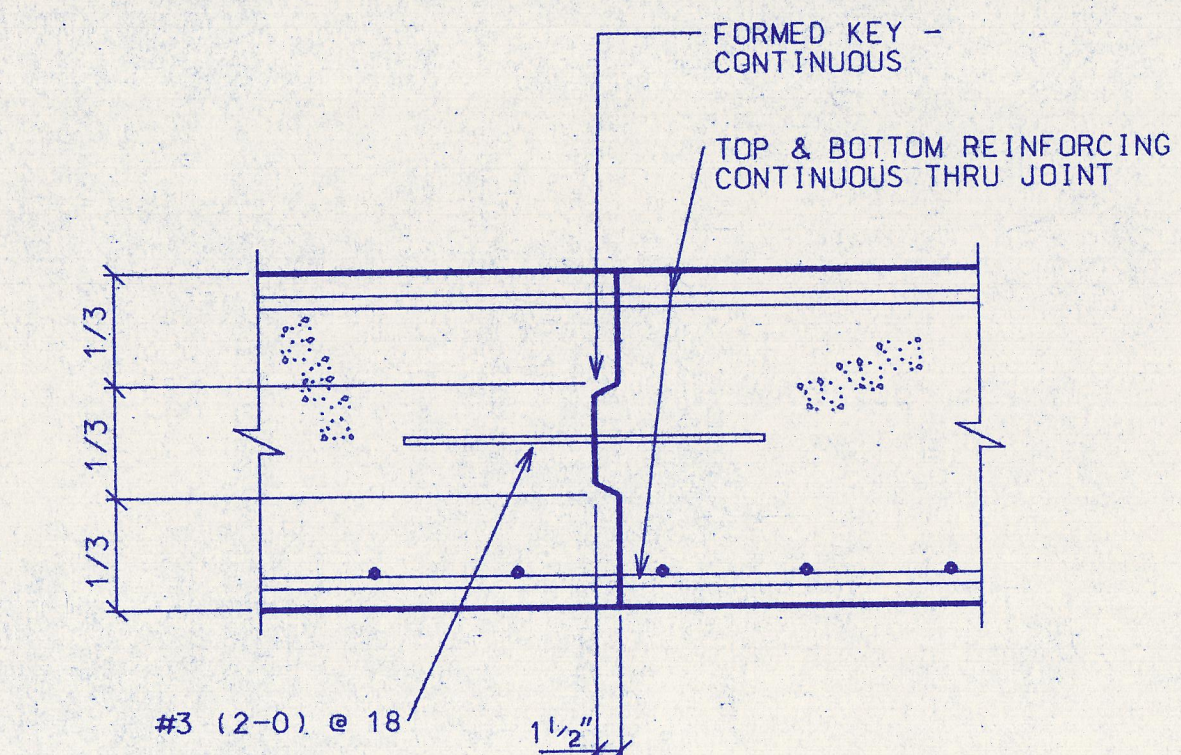
08 TYP. BASEMENT WALL BACKFILL
NO SCALE TD02201



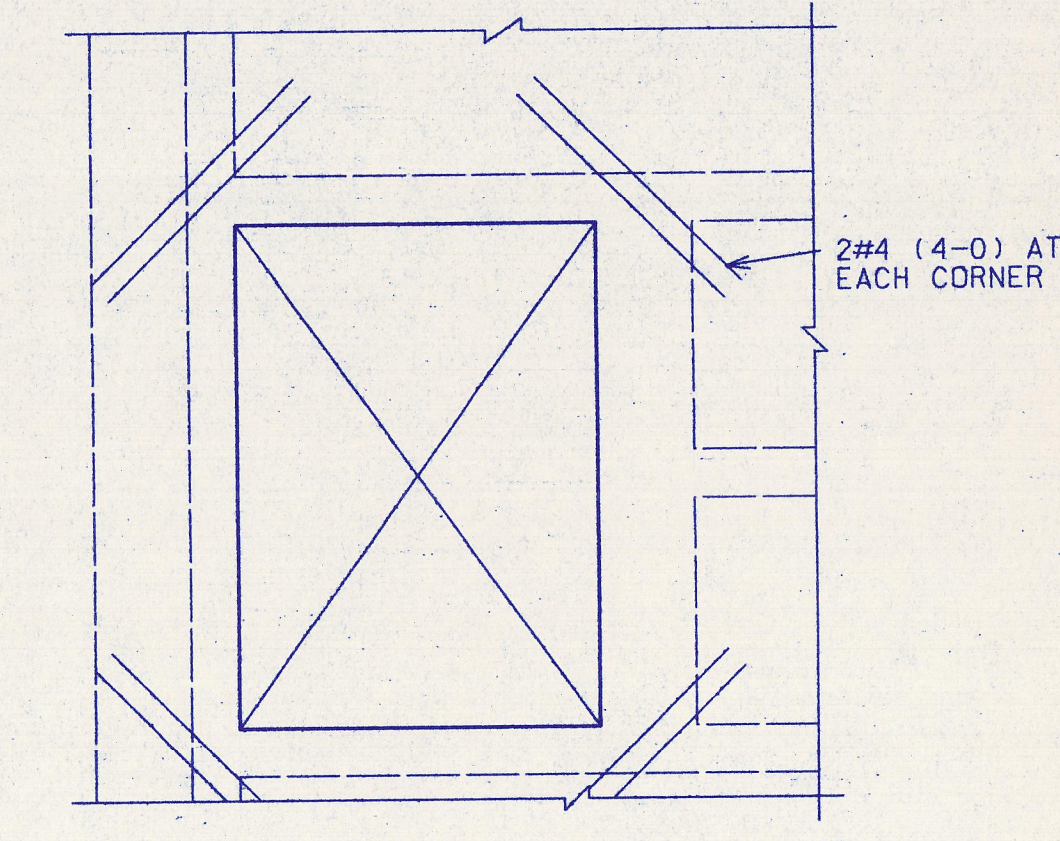
02 TYPICAL GRADE BEAM CJ
NO SCALE TD03130



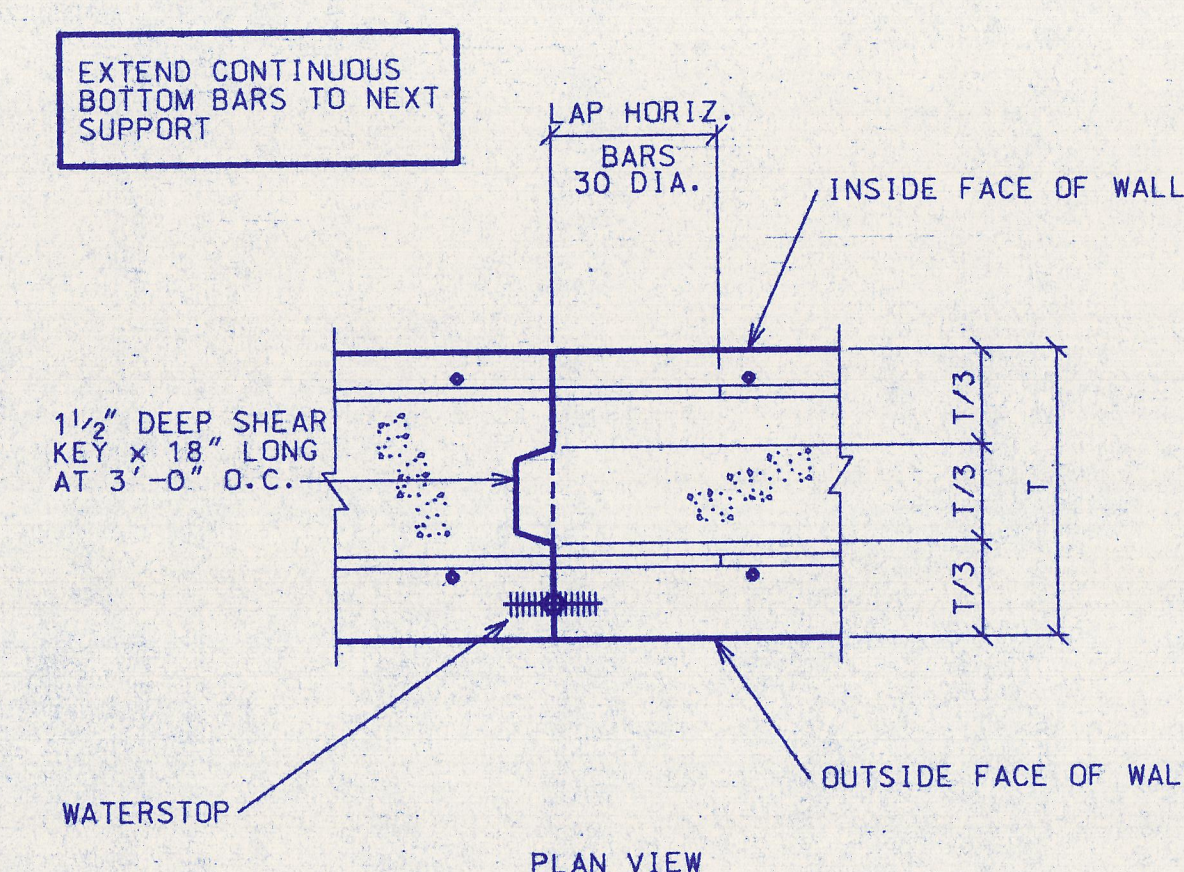
23 TYPICAL HORIZONTAL JOINT IN BASEMENT WALL-BETWEEN FLOORS
NO SCALE XT003161



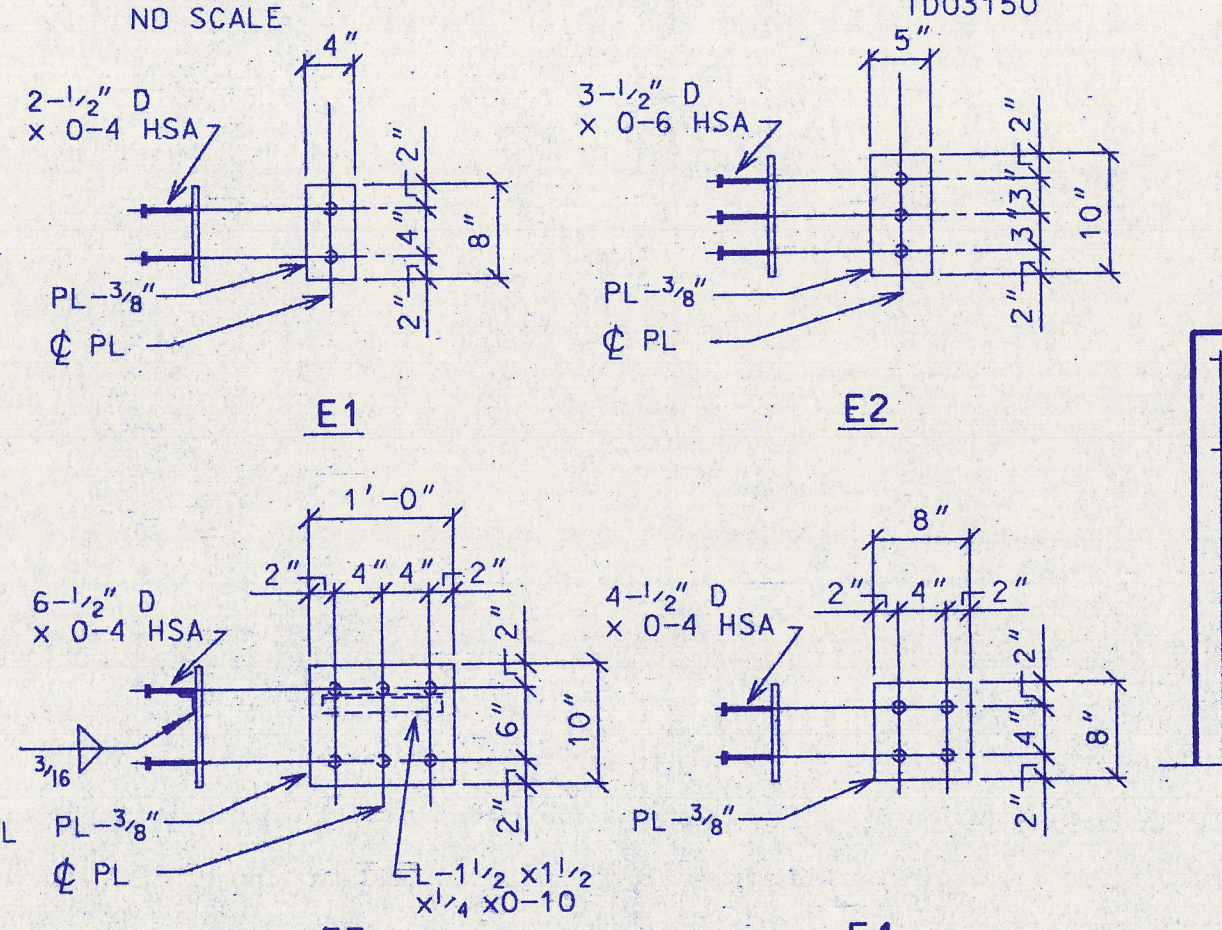
18 TYPICAL STRUCTURAL SLAB CJ
NO SCALE TD03150



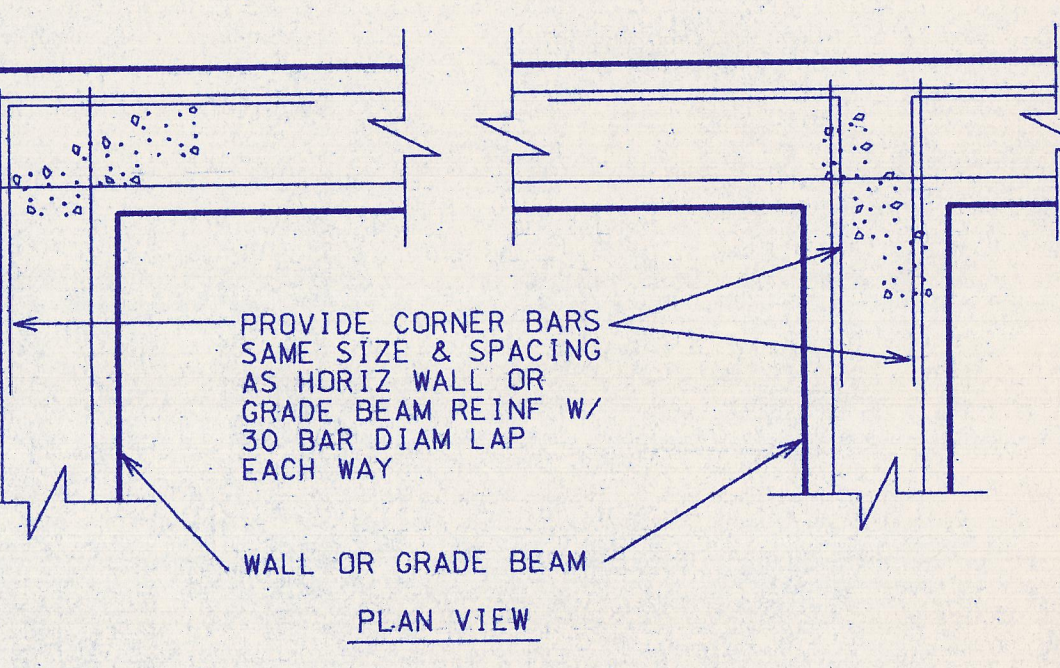
13 TYPICAL SLAB OPENING
NO SCALE TD03223



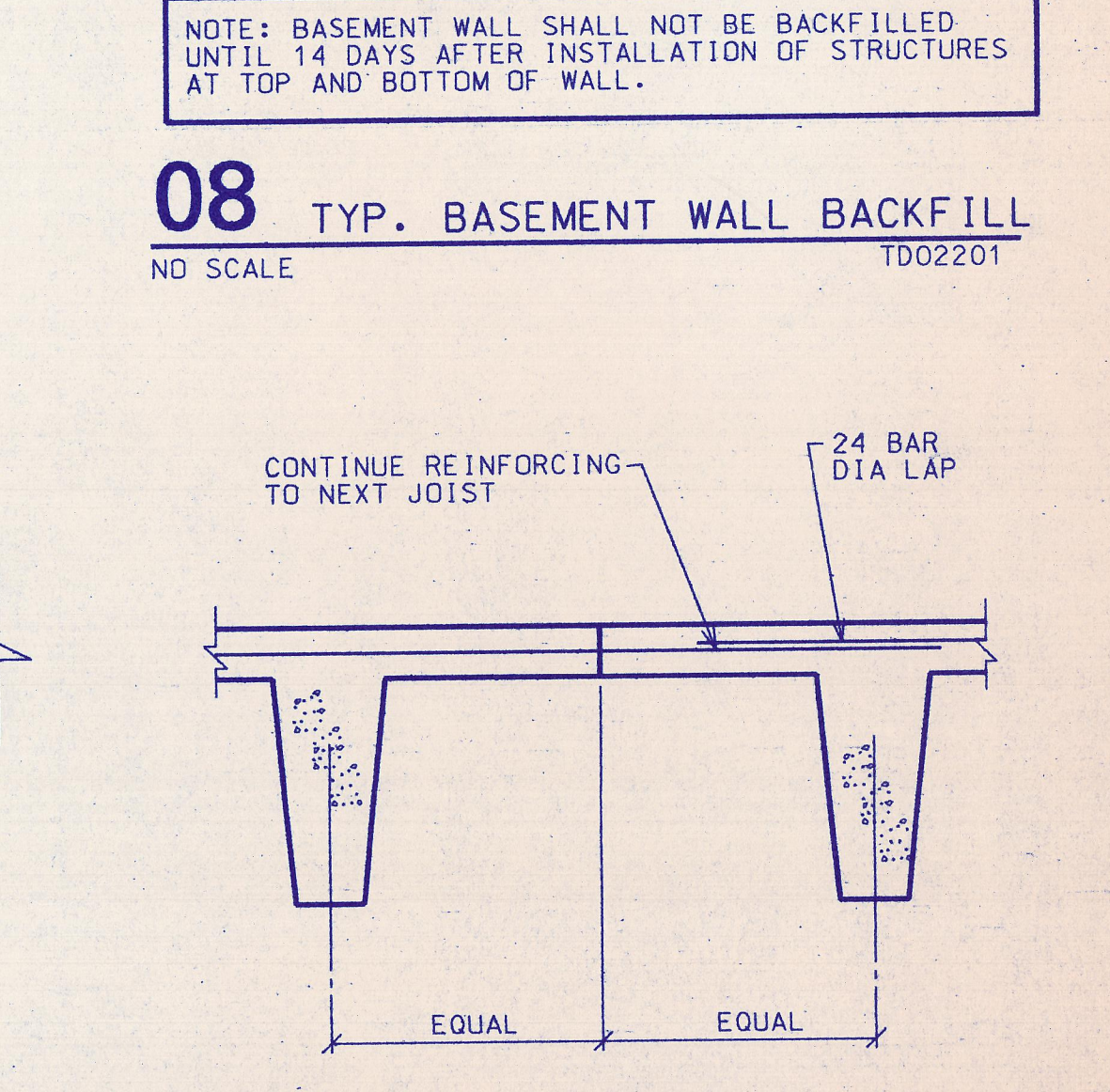
24 TYPICAL VERTICAL JOINT IN BASEMENT WALL
NO SCALE XT003160



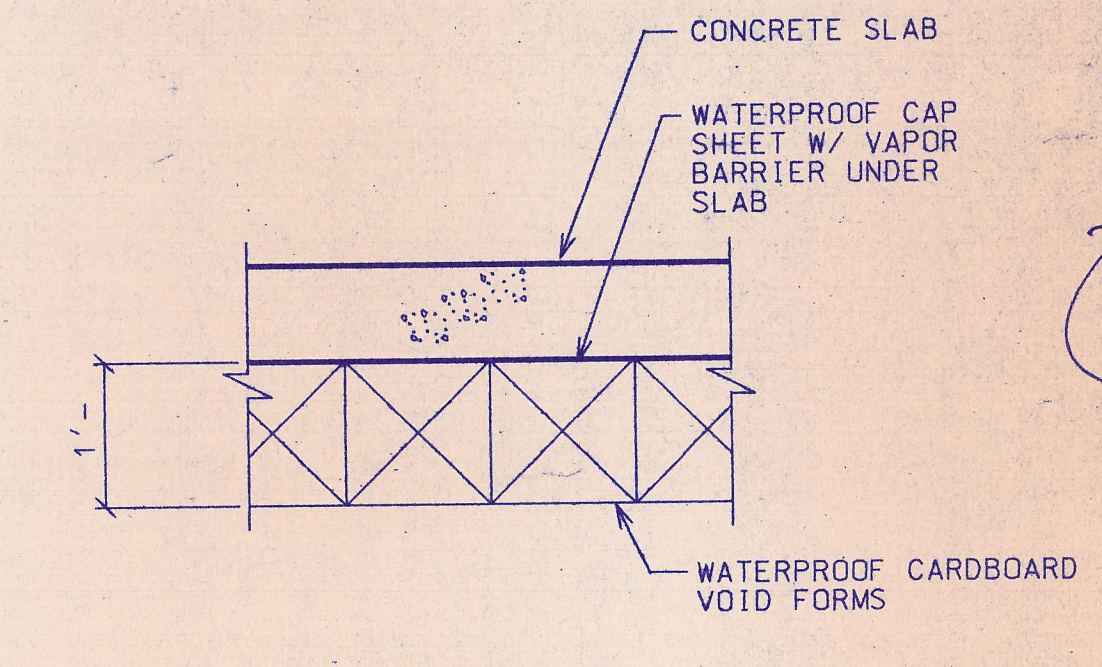
19 TYPICAL EMBEDDED PLATES
NO SCALE TD03702



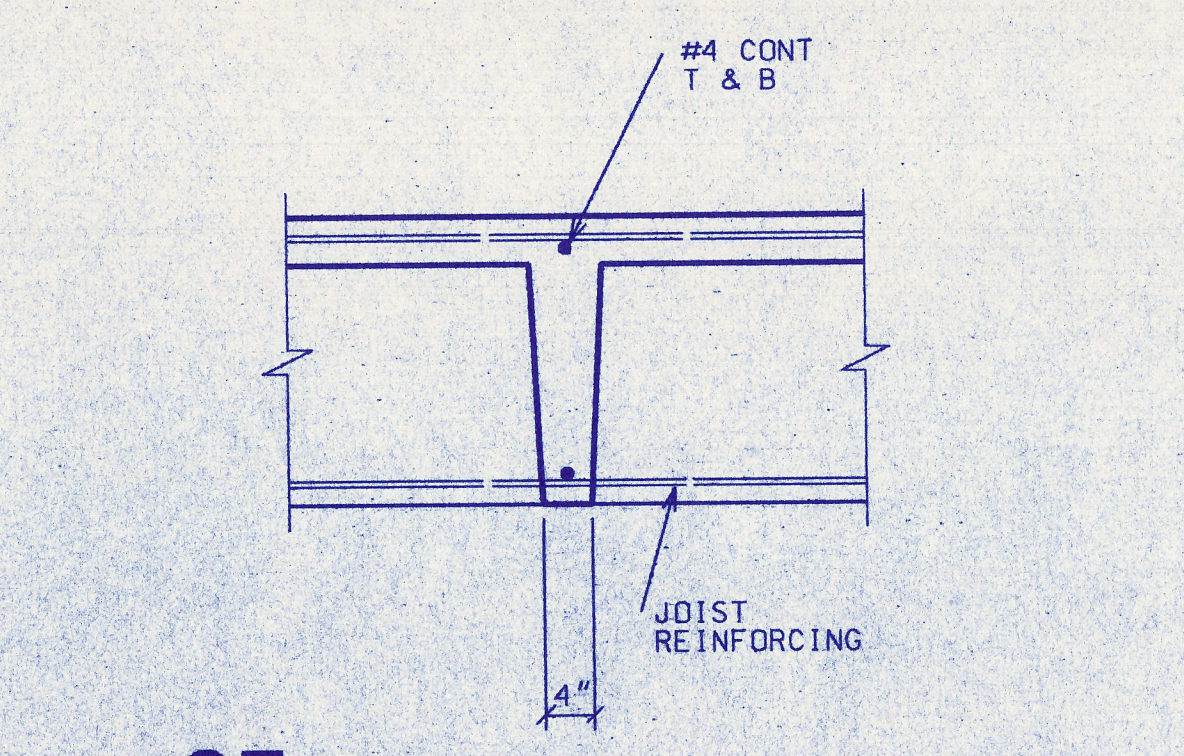
14 TYPICAL CORNER BARS
NO SCALE TD03210



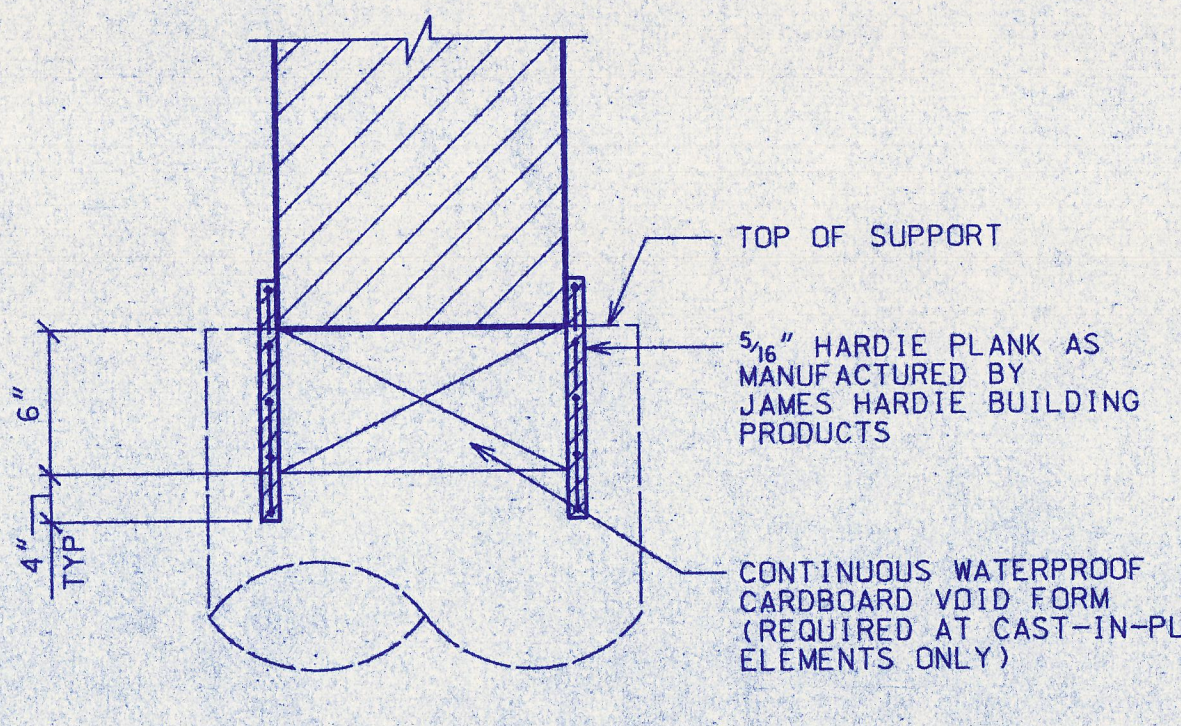
09 TYPICAL SLAB CJ
NO SCALE TD03141



03 TYPICAL SLAB VOID BOX
NO SCALE TD02260



25 TYPICAL DISTRIBUTION RIB
NO SCALE TD03306

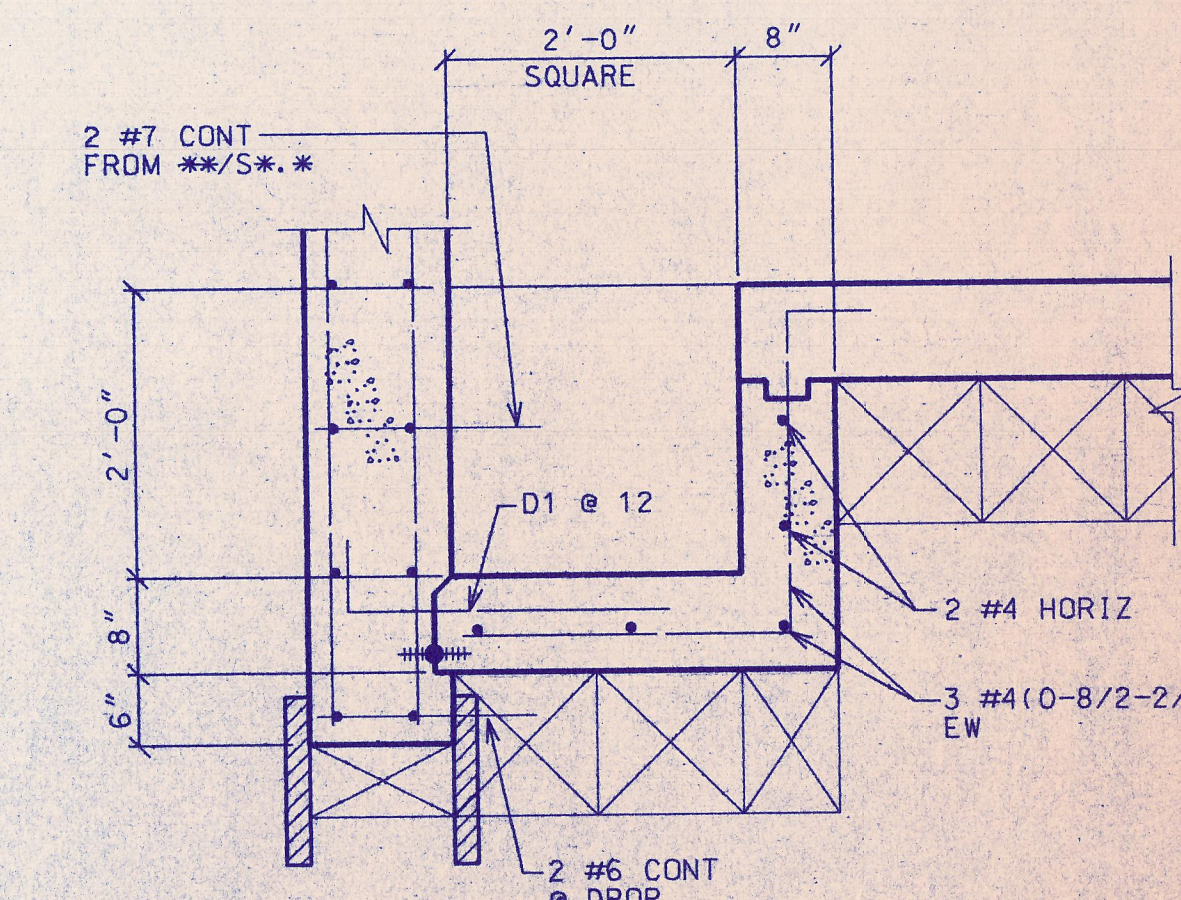


20 TYPICAL RETAINED VOID
NO SCALE XT002252

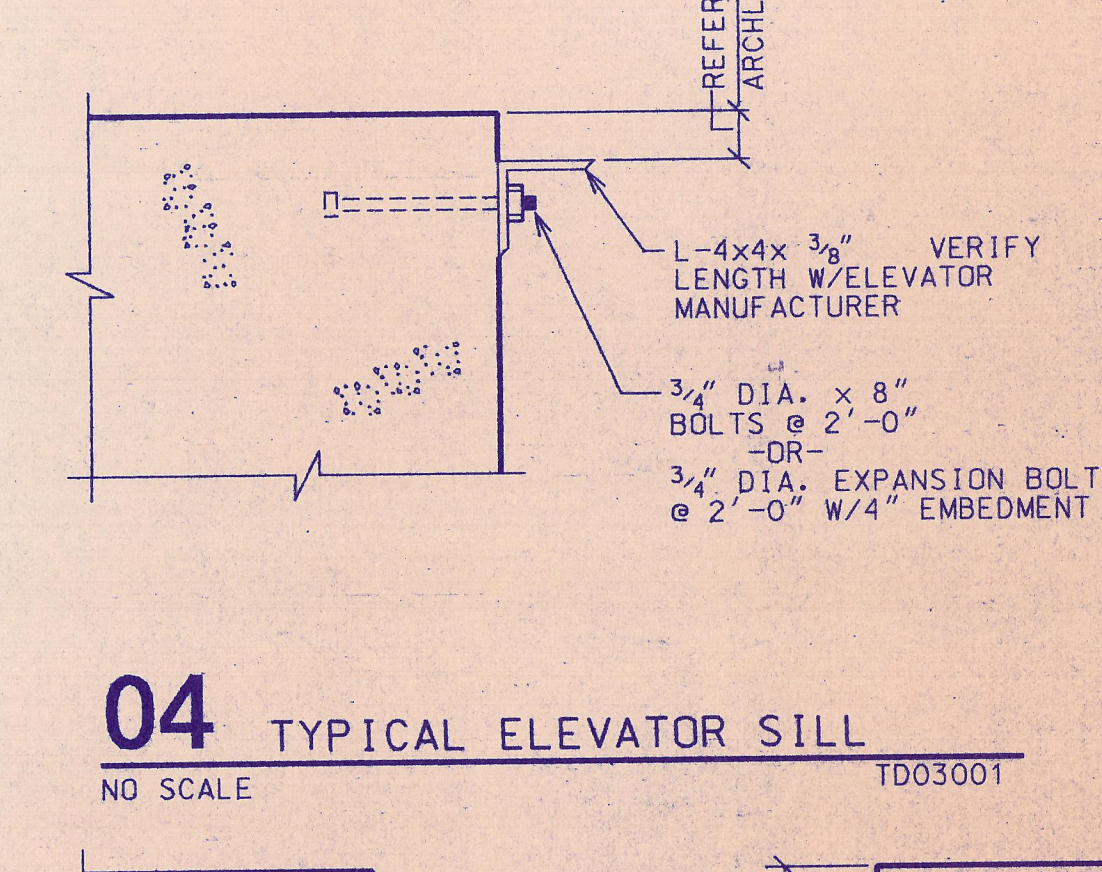
DOWEL BENDING DIAGRAM
TD3208

LEGEND
D1 @ 18
SPACING IN INCHES
BAR MARK

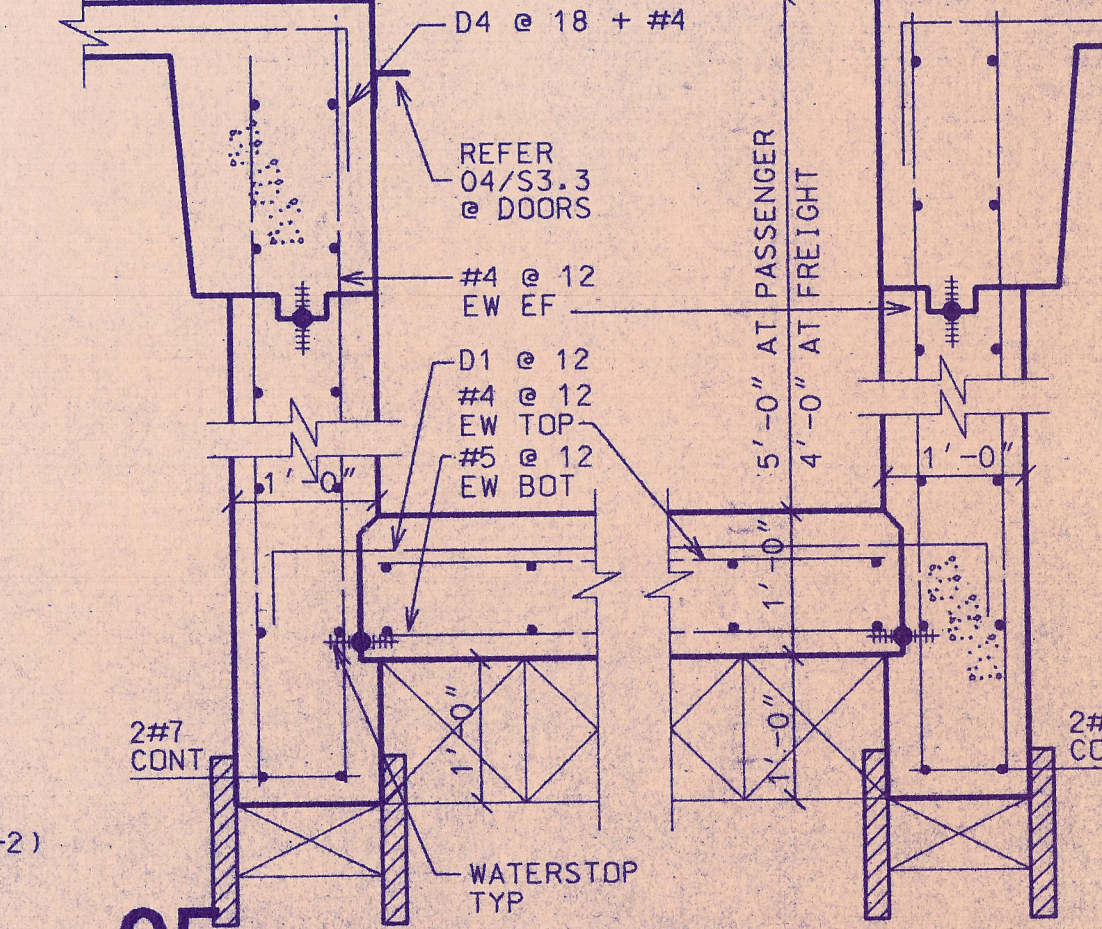
MARK	BAR SIZE	A	B	C
D1	#4	0-6	2-6	0
D2	#4	0	4-0	0
D3	#4	3-0	3-0	0
D4	#4	1-6	2-6	0
D5	#3	0-6	2-6	0
D6				
D7				
D8				
D9				



10 TYPICAL SUMP PIT DETAIL



04 TYPICAL ELEVATOR SILL
NO SCALE TD03001



05 TYPICAL ELEVATOR PIT
NO SCALE XT003050