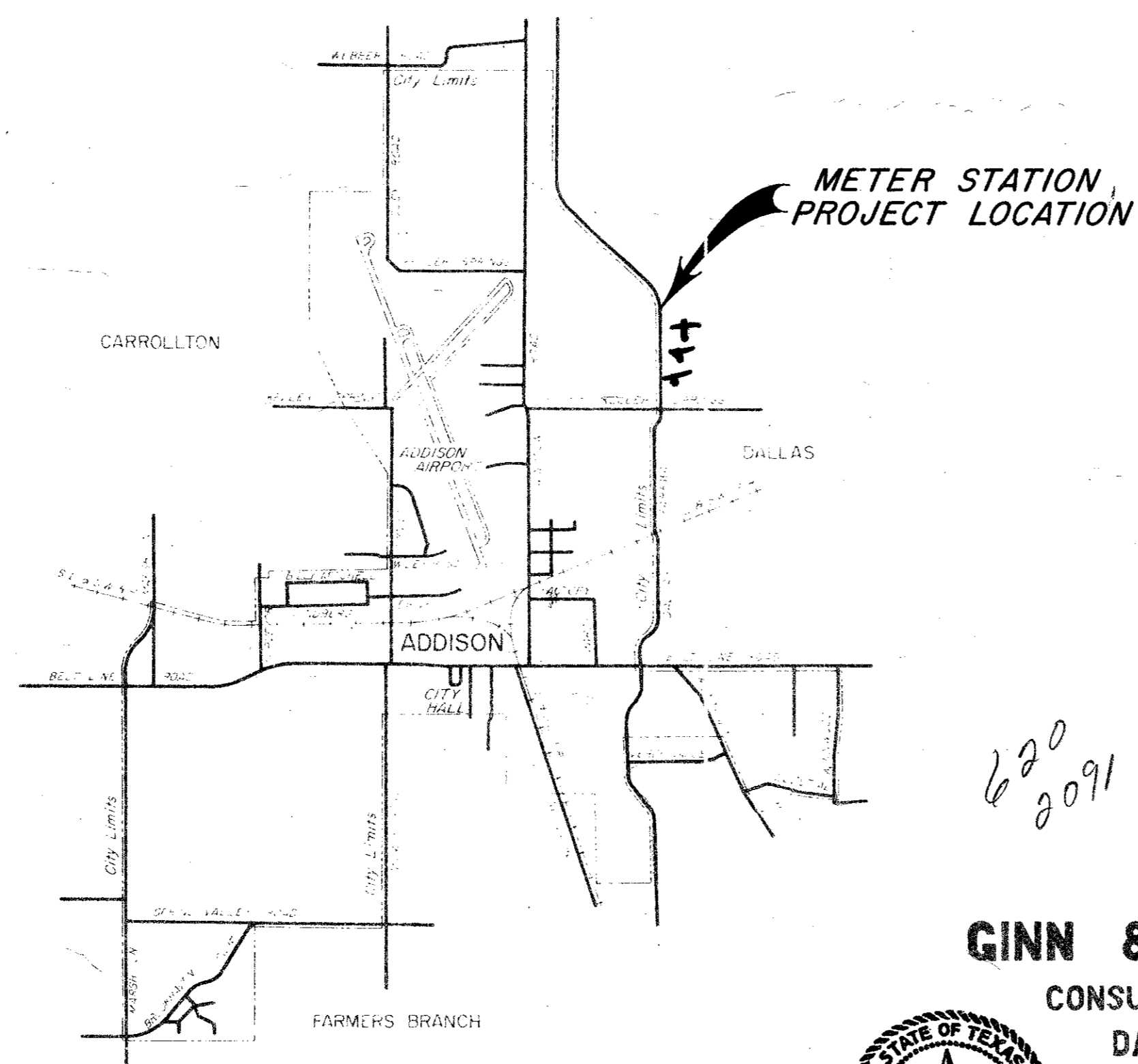


CITY OF ADDISON

DALLAS COUNTY, TEXAS

CONSTRUCTION PLANS FOR: KELLER SPRINGS BRANCH METER STATION



JERRY J. REDDING - MAYOR
COUNCILMEN:

JOHN B. ALLEN
RICHARD RODER
WILLIAM F. SELLMAYER
A. E. MARCY
TERRY ROBERTS

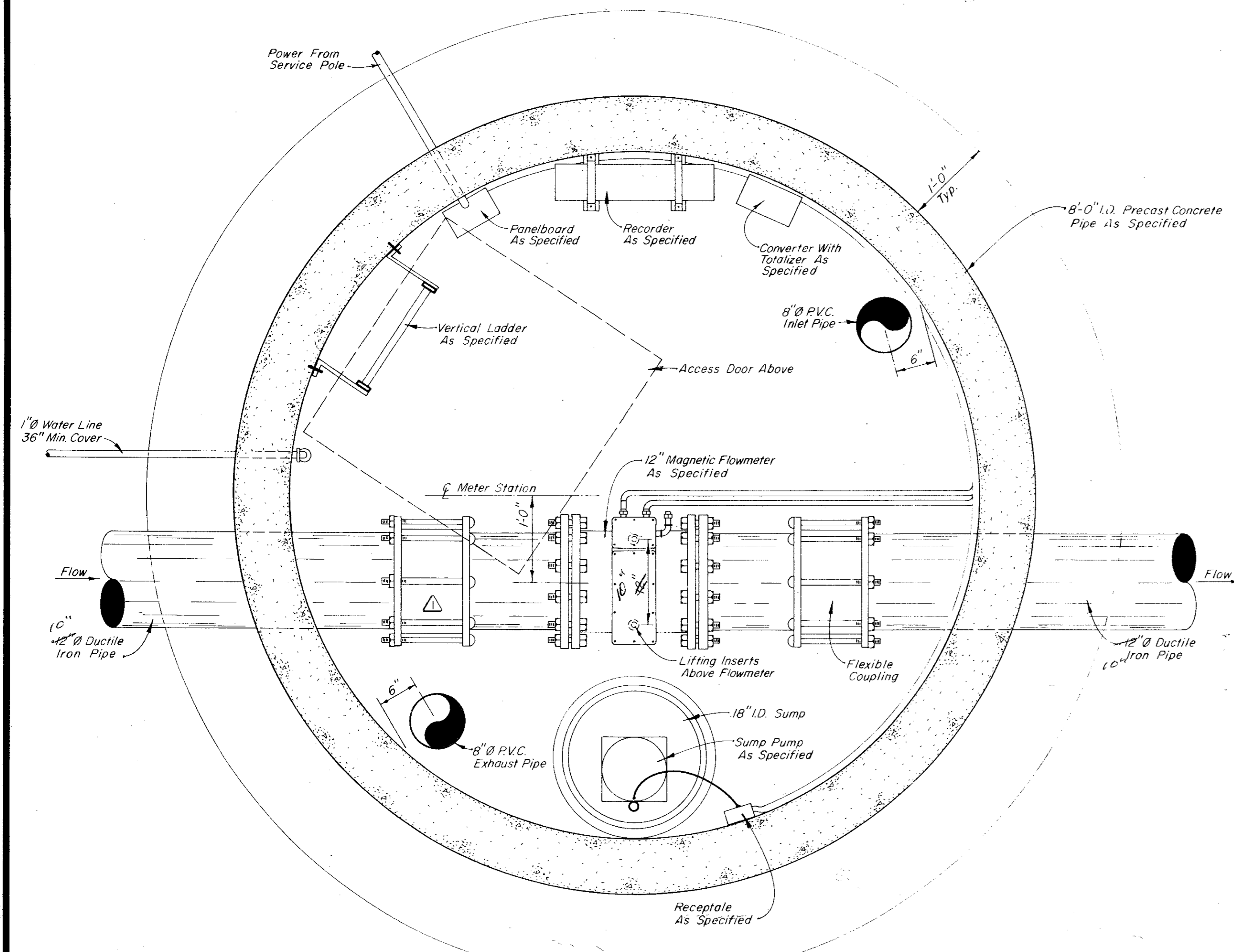
C. J. WEBSTER - CITY ADMINISTRATOR

620
2091

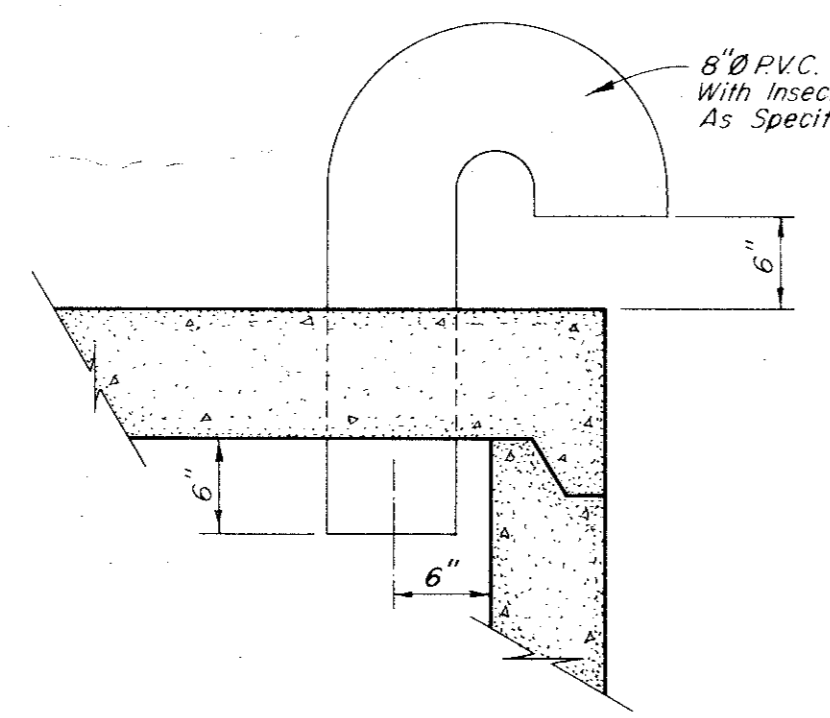
GINN & STACY, INC.

CONSULTING ENGINEERS
DALLAS, TEXAS
1977

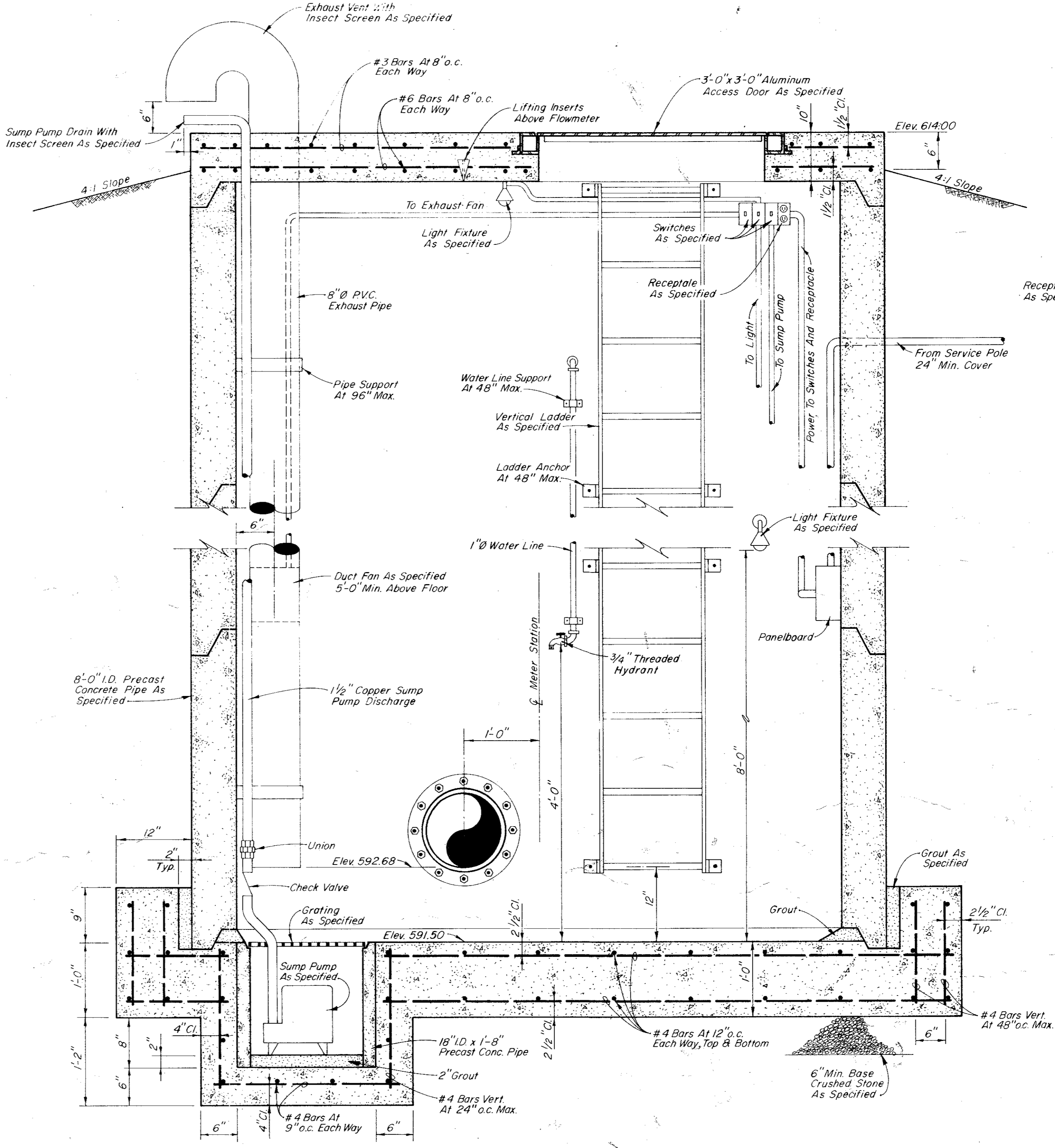




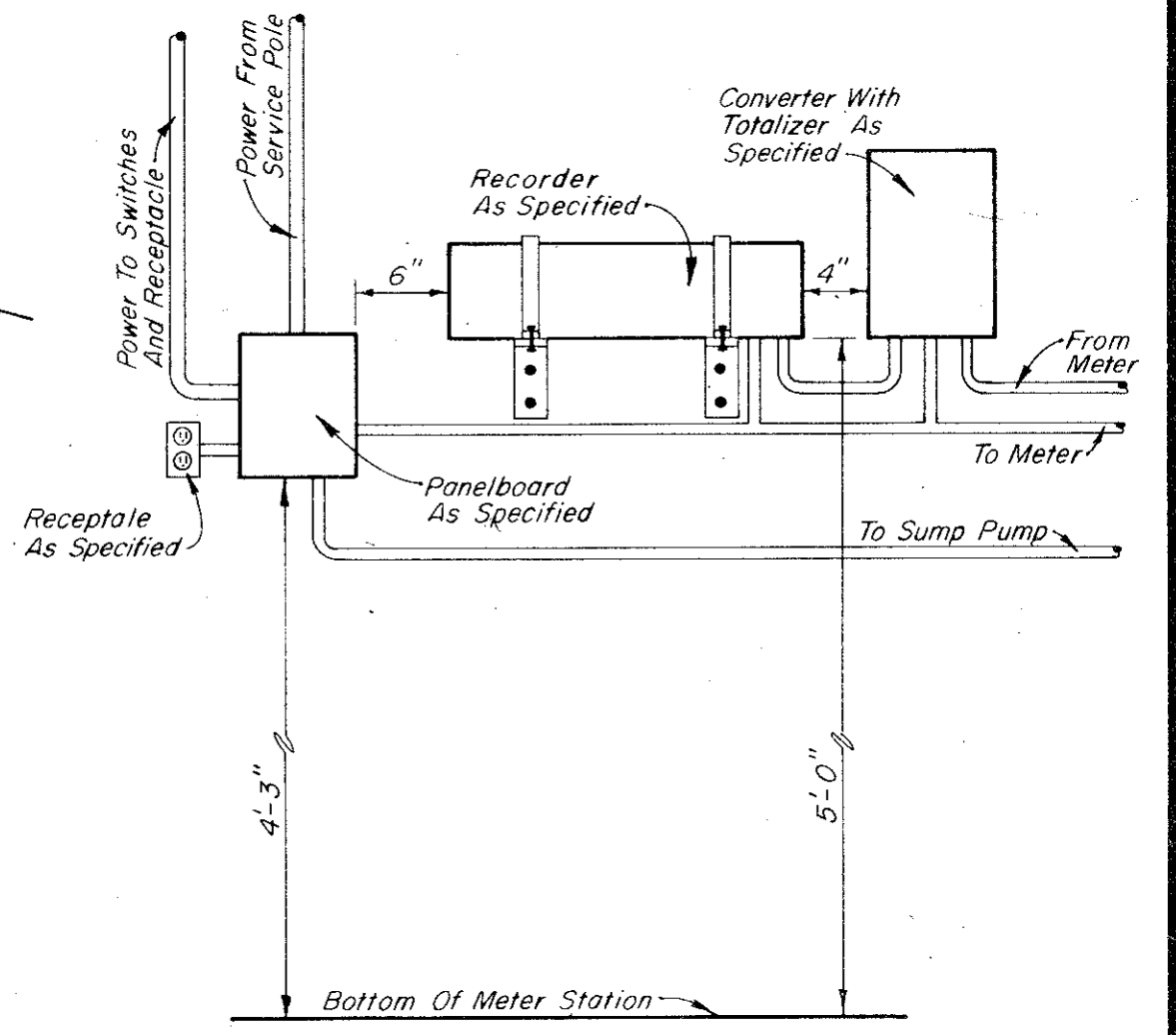
METER STATION PLAN
Scale: 1" = 1'-0"



INLET PIPE DETAIL
No Scale



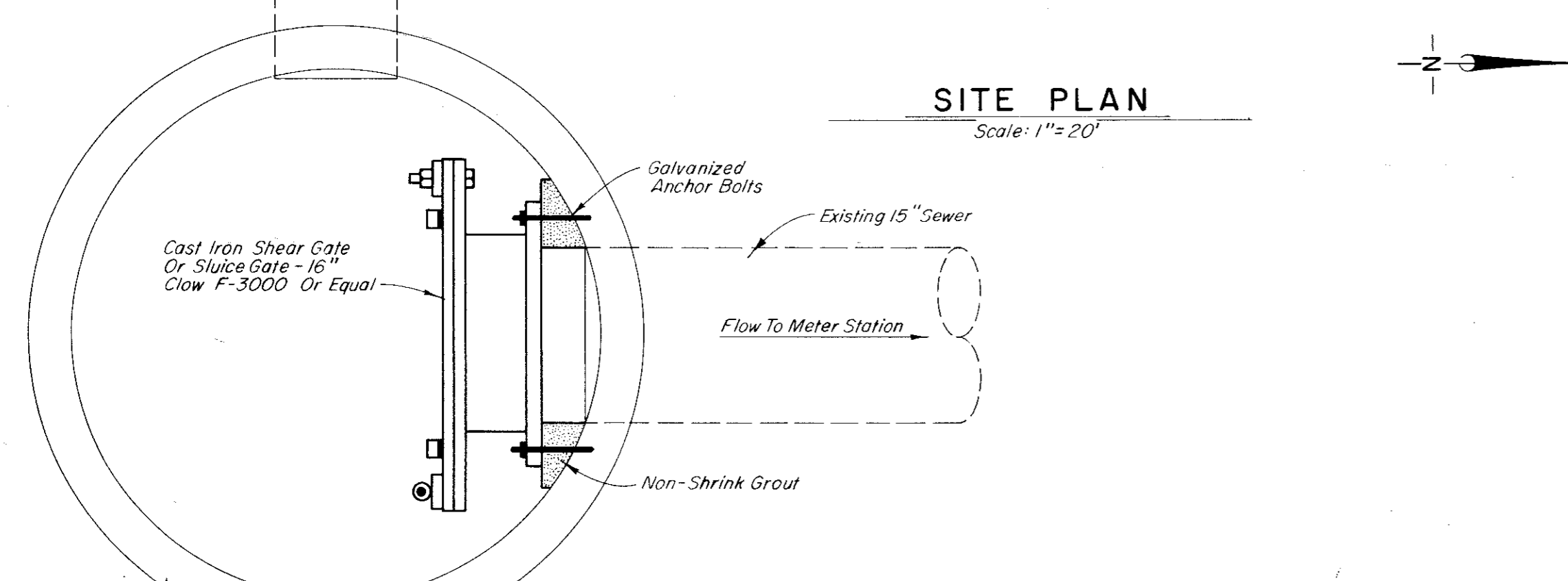
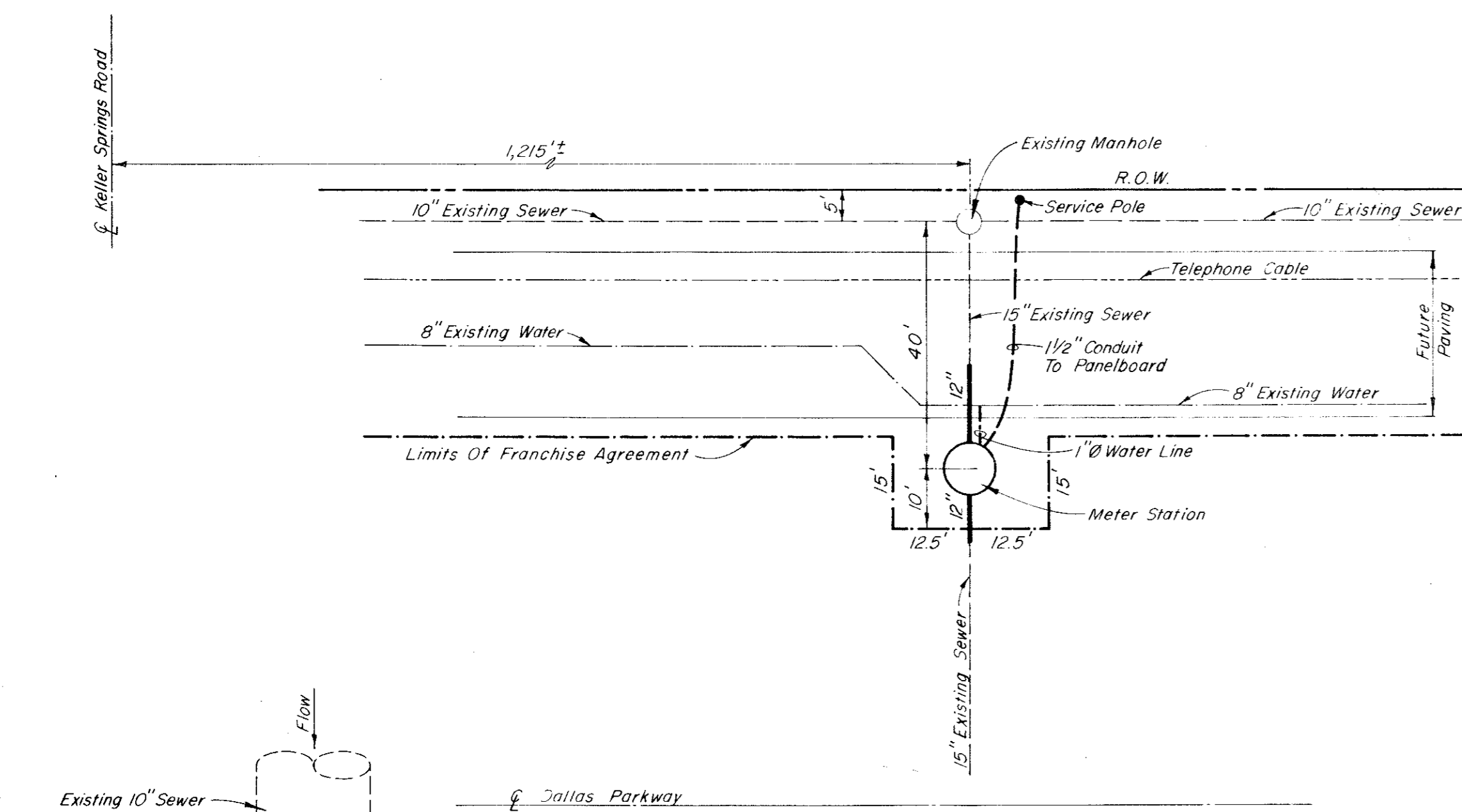
SECTION "A"
No Scale



EQUIPMENT LAYOUT
No Scale

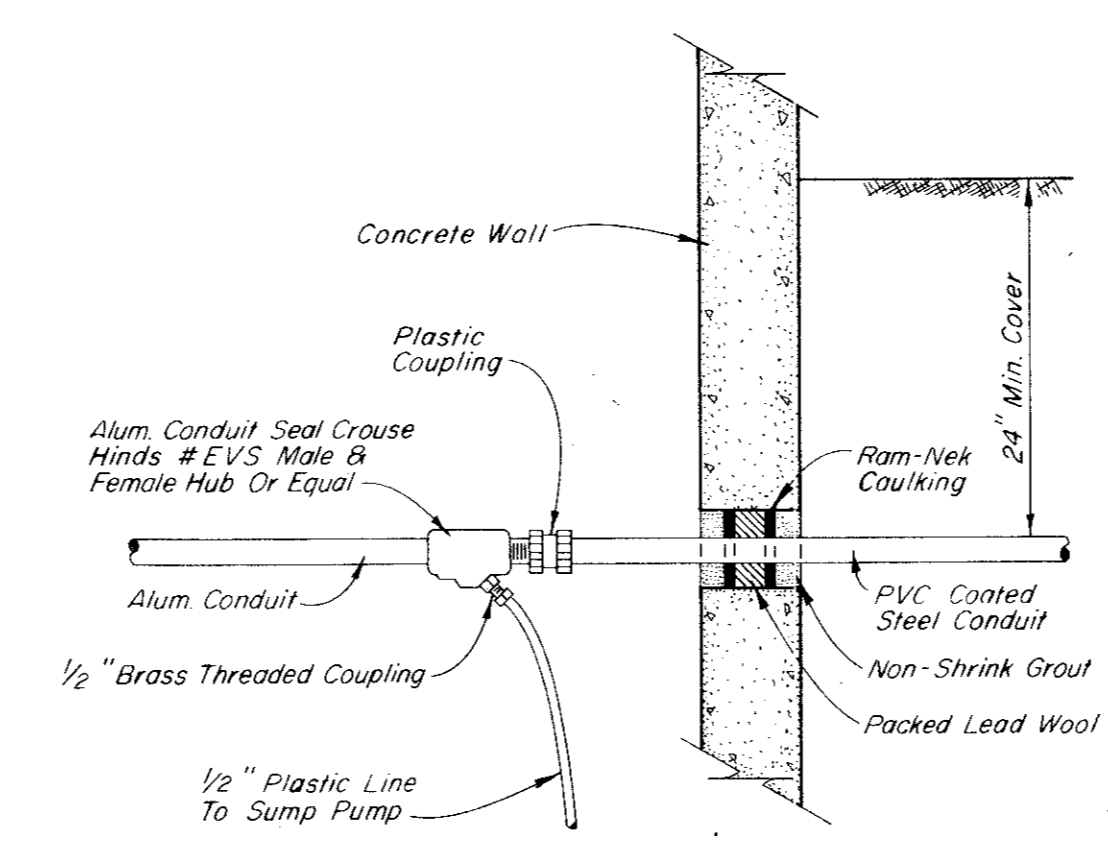
614.00
591.50
22.50

- NOTES:**
1. Slope Top Slab Of Meter Station From Center To Outside 1/4" Per Foot.
 2. Slope Floor Slab Of Meter Station 1/4" Per Foot To Sump.
 3. All Joints And Penetrations Shall Be Sealed Water Tight.
 4. Lifting Inserts Shall Be Galv. Malleable Iron With 1/2" Eyebolts Located In Roof Above Flowmeter And 12" Apart As Shown On Plan.

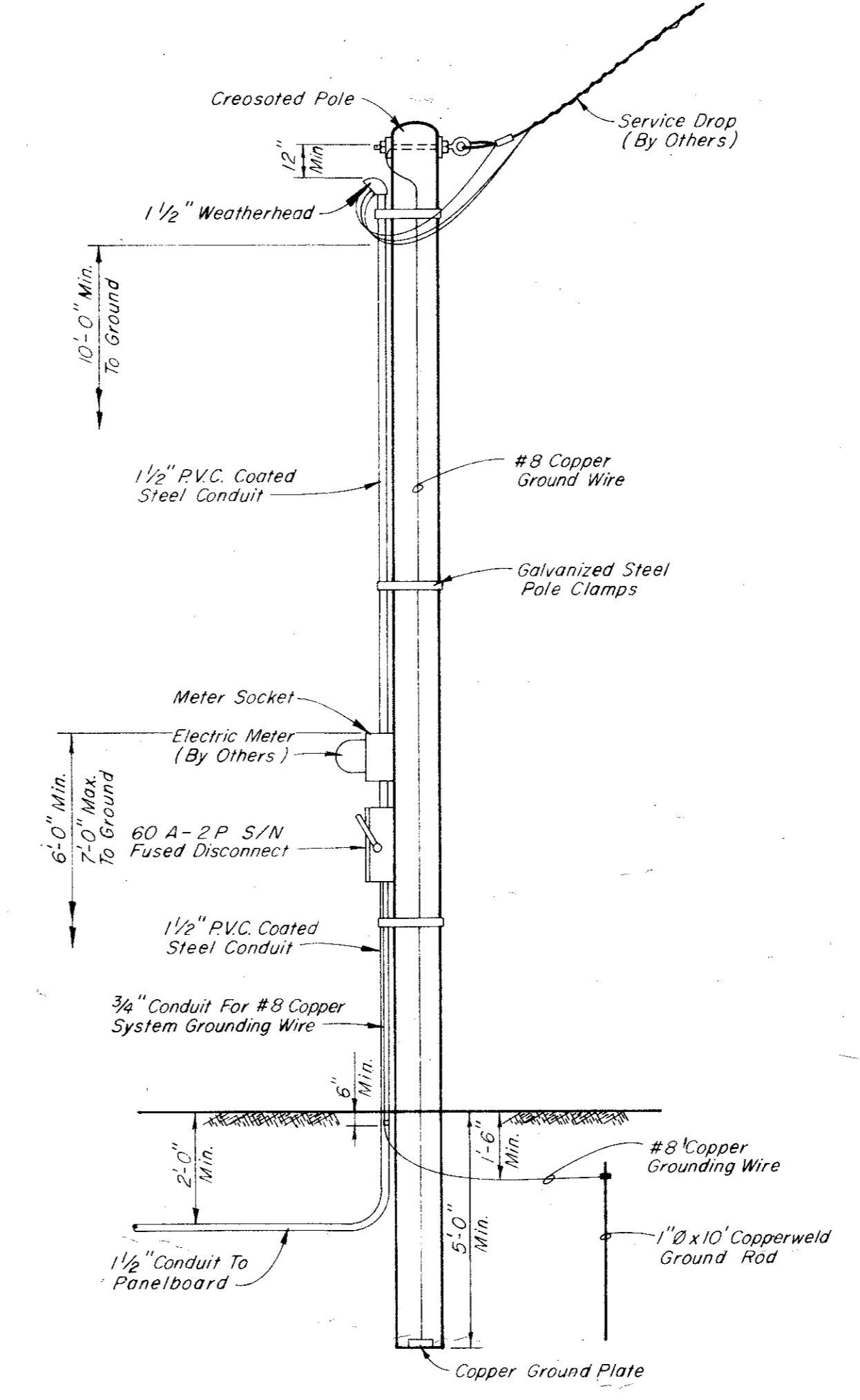


NOTES:
 1. Install Galv. Bolt-Hook in Manhole Wall To Hold Gate Open
 2. Grout Invert To Insure Smooth Flow

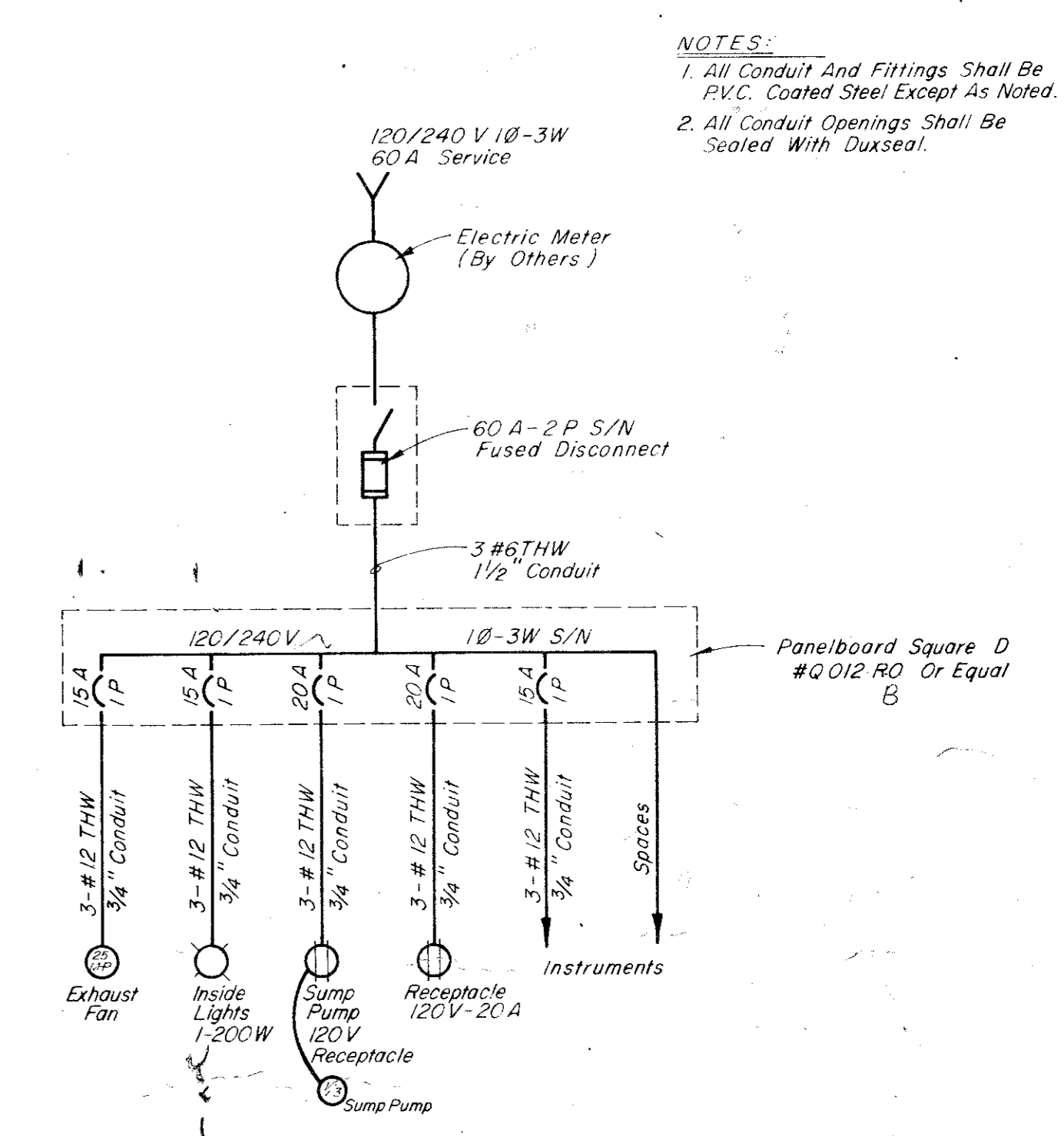
GATE INSTALLATION DETAIL
 No Scale



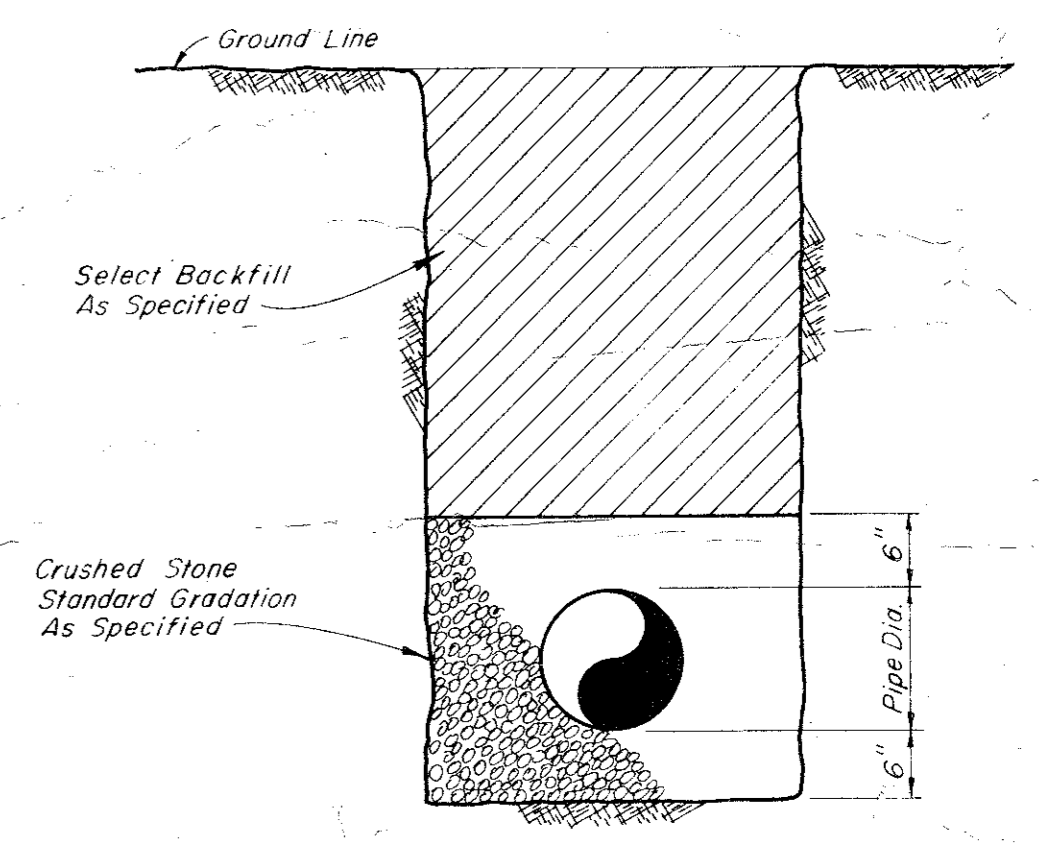
CONDUIT ENTRANCE AND DRAIN DETAIL
 No Scale



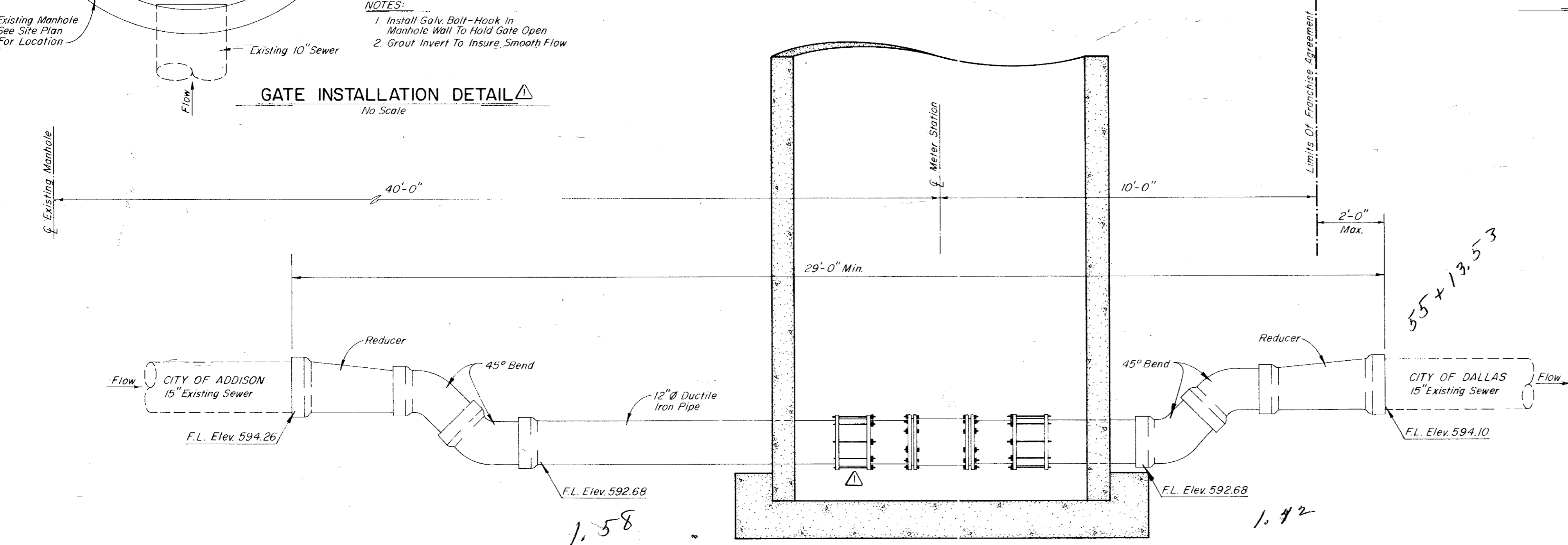
SERVICE POLE DETAIL
 No Scale



ELECTRICAL DIAGRAM
 No Scale



TYPICAL BEDDING DETAIL
 No Scale



PROFILE
 Scale: 1/2" = 1'-0"

*54 + 50.05 Stop
 594.03 Elw.*

55 + 13.53

1.58

1.42

Revised May 13, 1977



CITY OF ADDISON
 DALLAS COUNTY, TEXAS
 SEWER IMPROVEMENTS
 KELLER SPRINGS BRANCH
 METER STATION SITE
 PLAN AND DETAILS

GINN & STACY, INC.
 CONSULTING ENGINEERS - DALLAS, TEXAS

Designed By: J.O.S. Scale: As Shown
 Drawn By: J.D.M. Date: 1977 Sheet 3 of 3