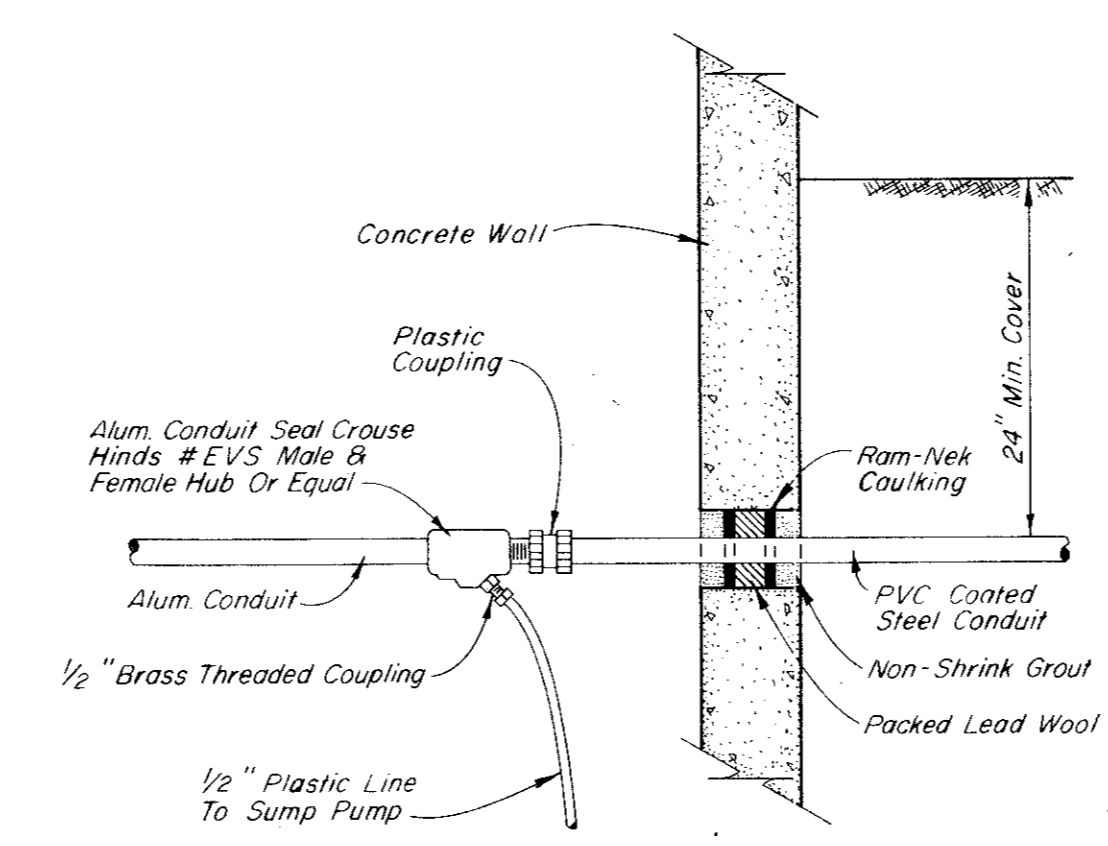
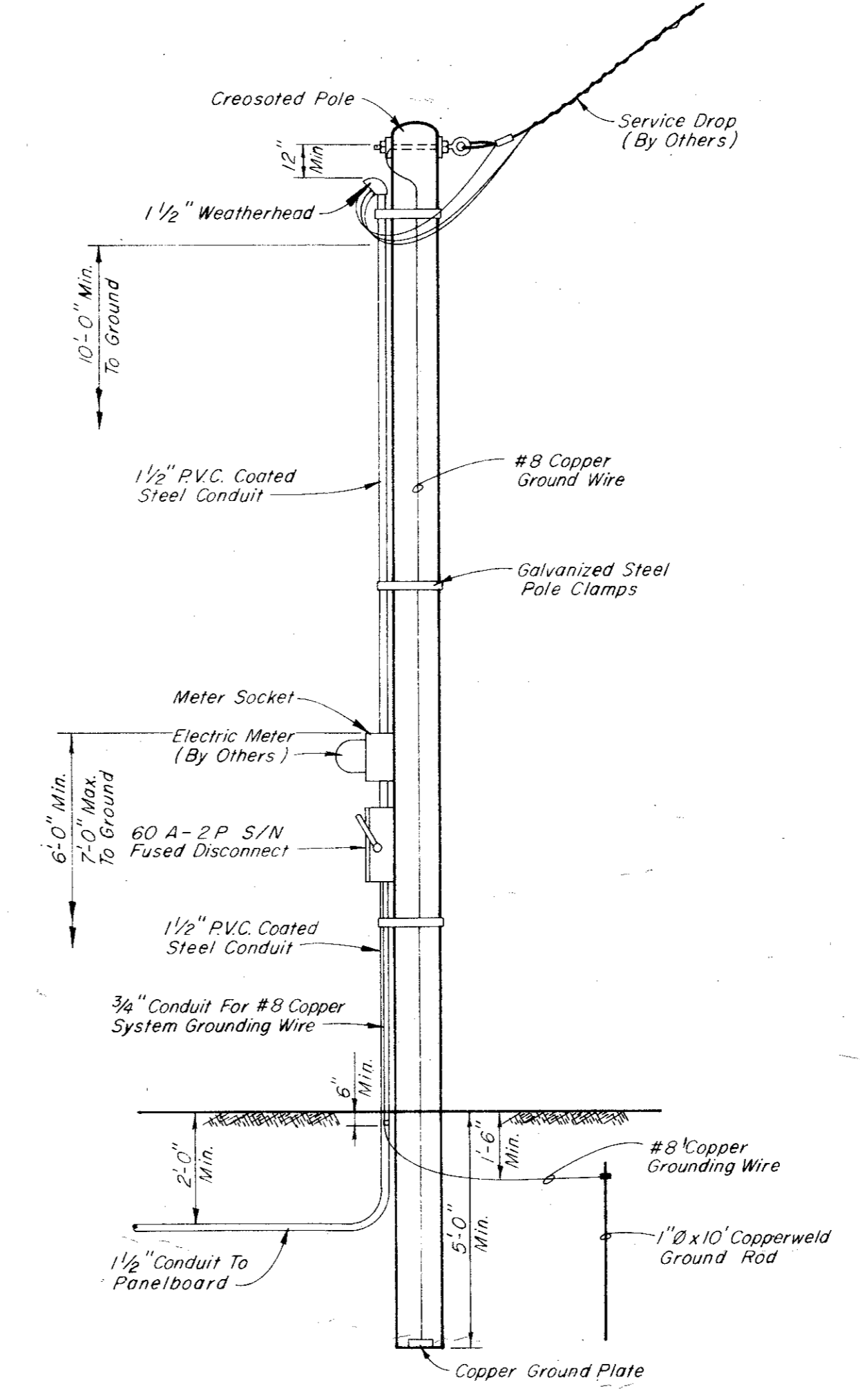


NOTES:
 1. Install Galv. Bolt-Hook in Manhole Wall To Hold Gate Open
 2. Grout Invert To Insure Smooth Flow

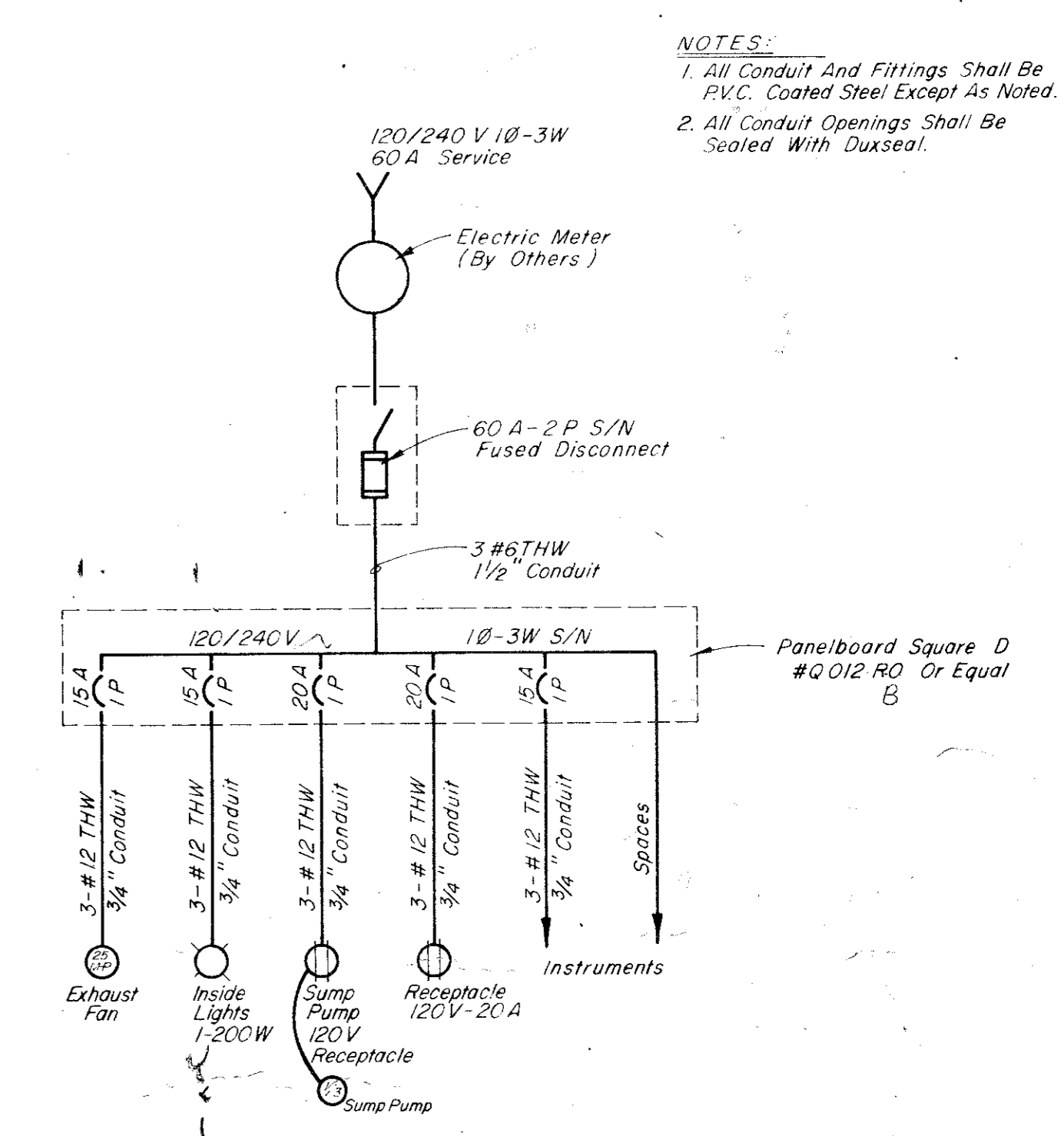
GATE INSTALLATION DETAIL
 No Scale



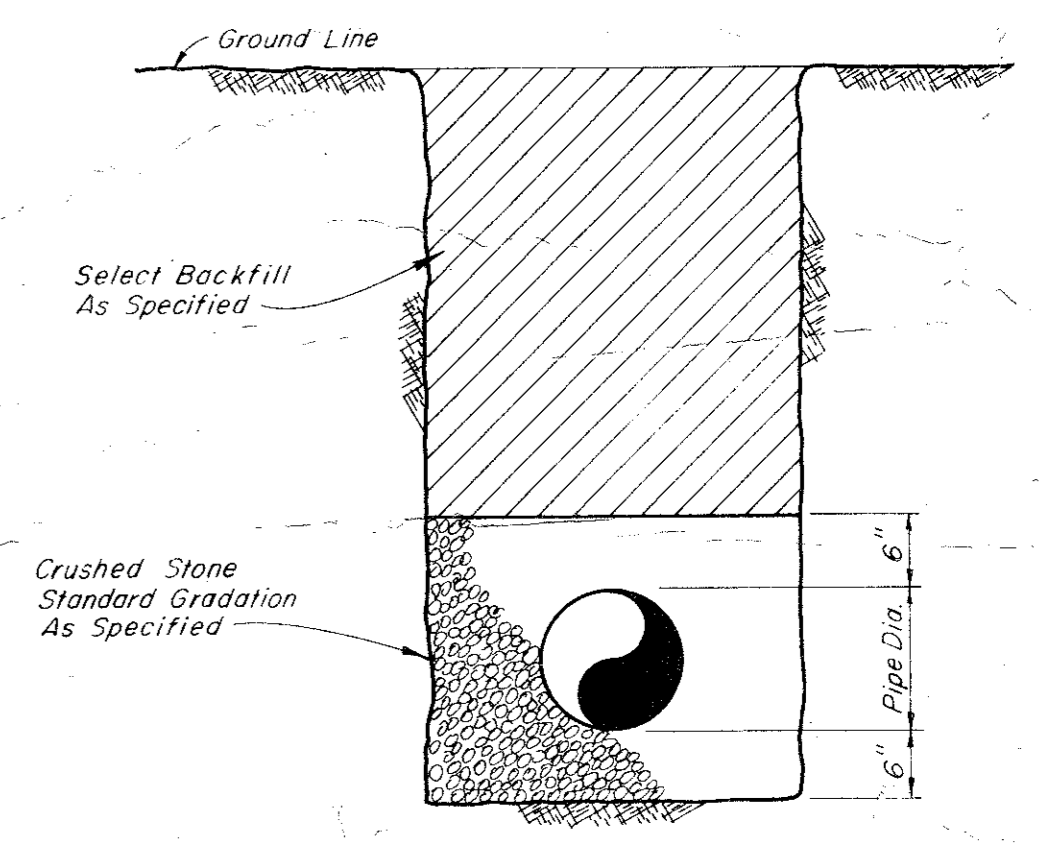
CONDUIT ENTRANCE AND DRAIN DETAIL
 No Scale



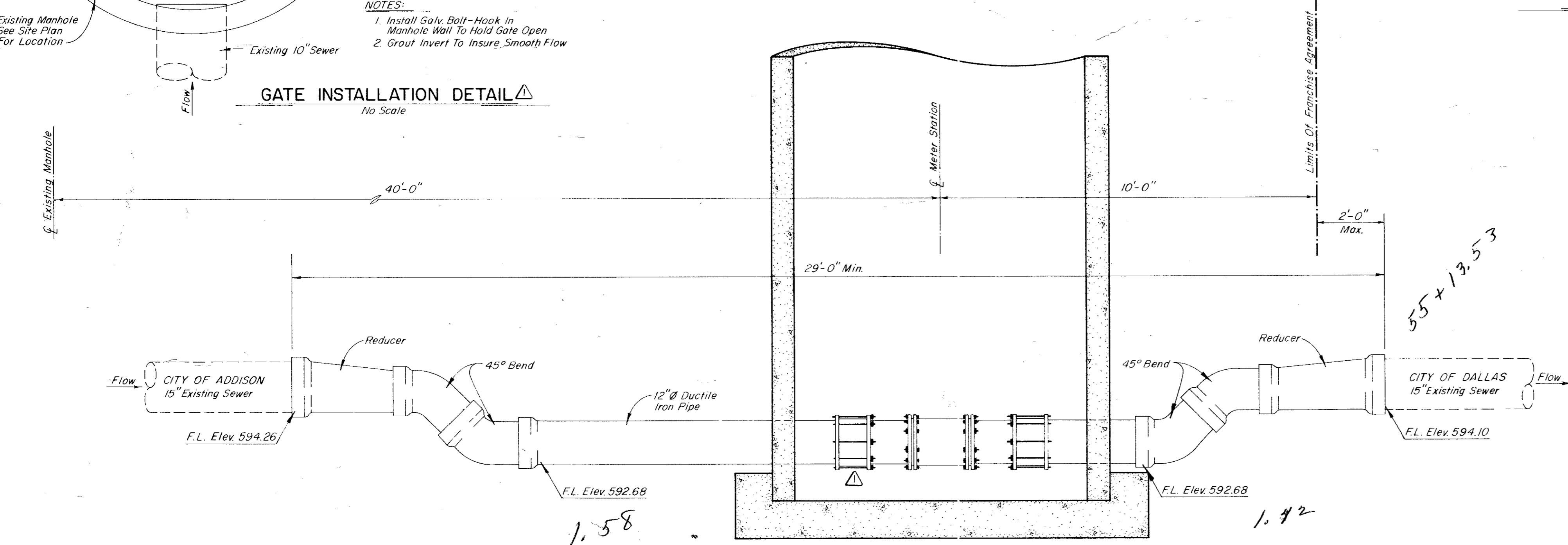
SERVICE POLE DETAIL
 No Scale



ELECTRICAL DIAGRAM
 No Scale



TYPICAL BEDDING DETAIL
 No Scale



PROFILE
 Scale: 1/2" = 1'-0"

*54 + 50.05 Stop
 594.03 Elw.*

55 + 13.53

1.58

1.42

Revised May 13, 1977



CITY OF ADDISON
 DALLAS COUNTY, TEXAS
 SEWER IMPROVEMENTS
 KELLER SPRINGS BRANCH
 METER STATION SITE
 PLAN AND DETAILS

GINN & STACY, INC.
 CONSULTING ENGINEERS - DALLAS, TEXAS

Designed By: J.O.S. Scale: As Shown
 Drawn By: J.D.M. Date: 1977

Sheet 3 of 3